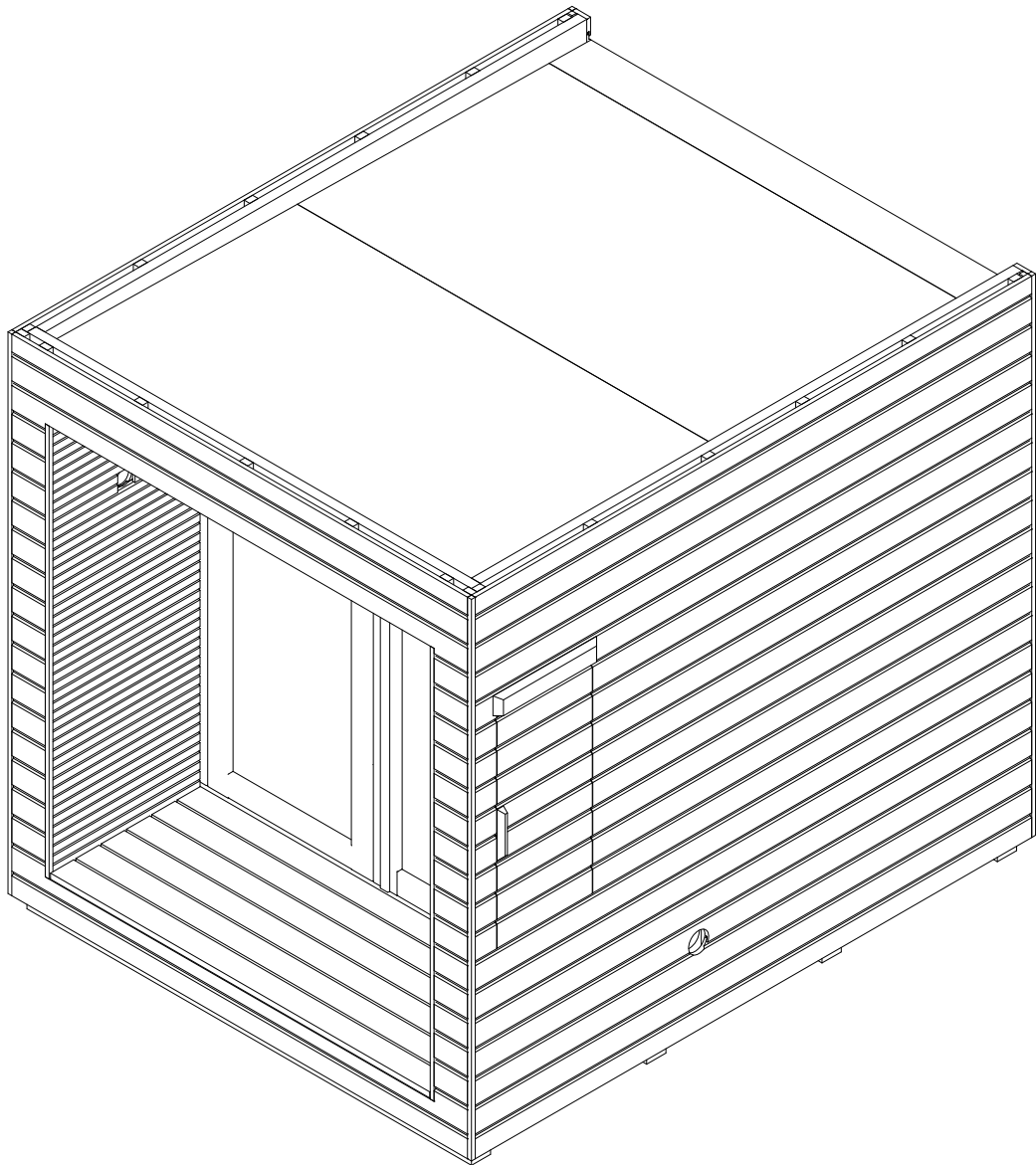
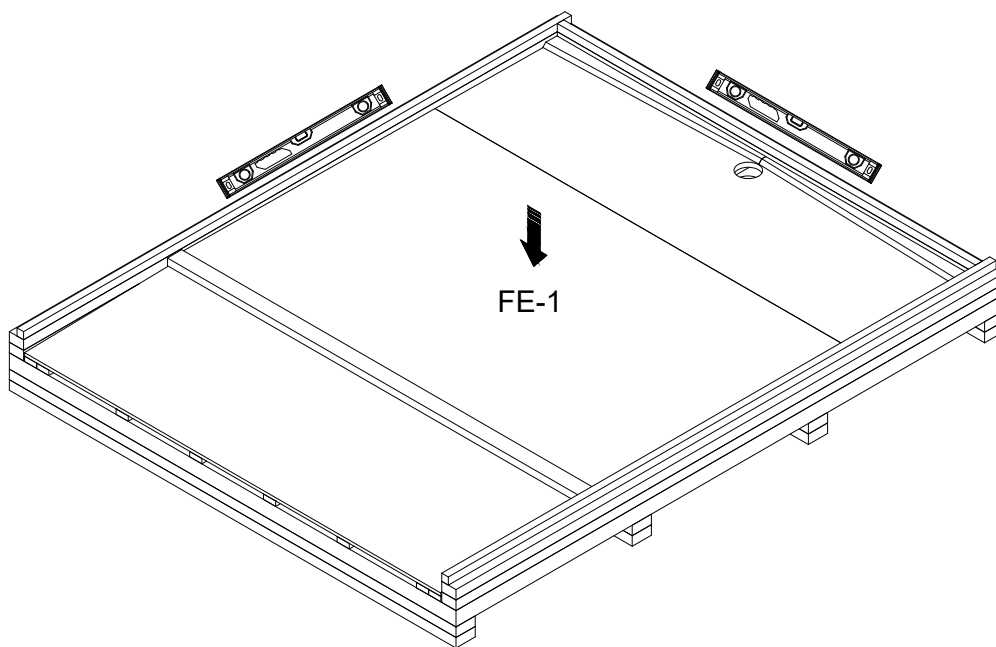


Outdoor sauna "Arti" Installation manual



1. Floor element

1. Check substructure level. Sauna must be installed on a level surface.



2. Wall elements

1. Start assembly from corner A WALL and B WALL. Place the elements on previously assembled and stable floor element and fix with screws as indicated on Figure 2a and 2b.

Figure 2a.

Bottom fixing

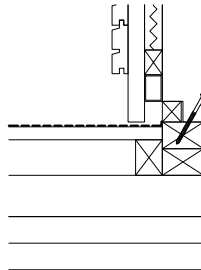


Figure 2b.

Top view

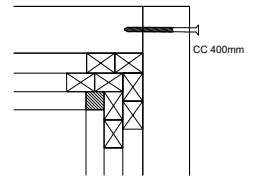
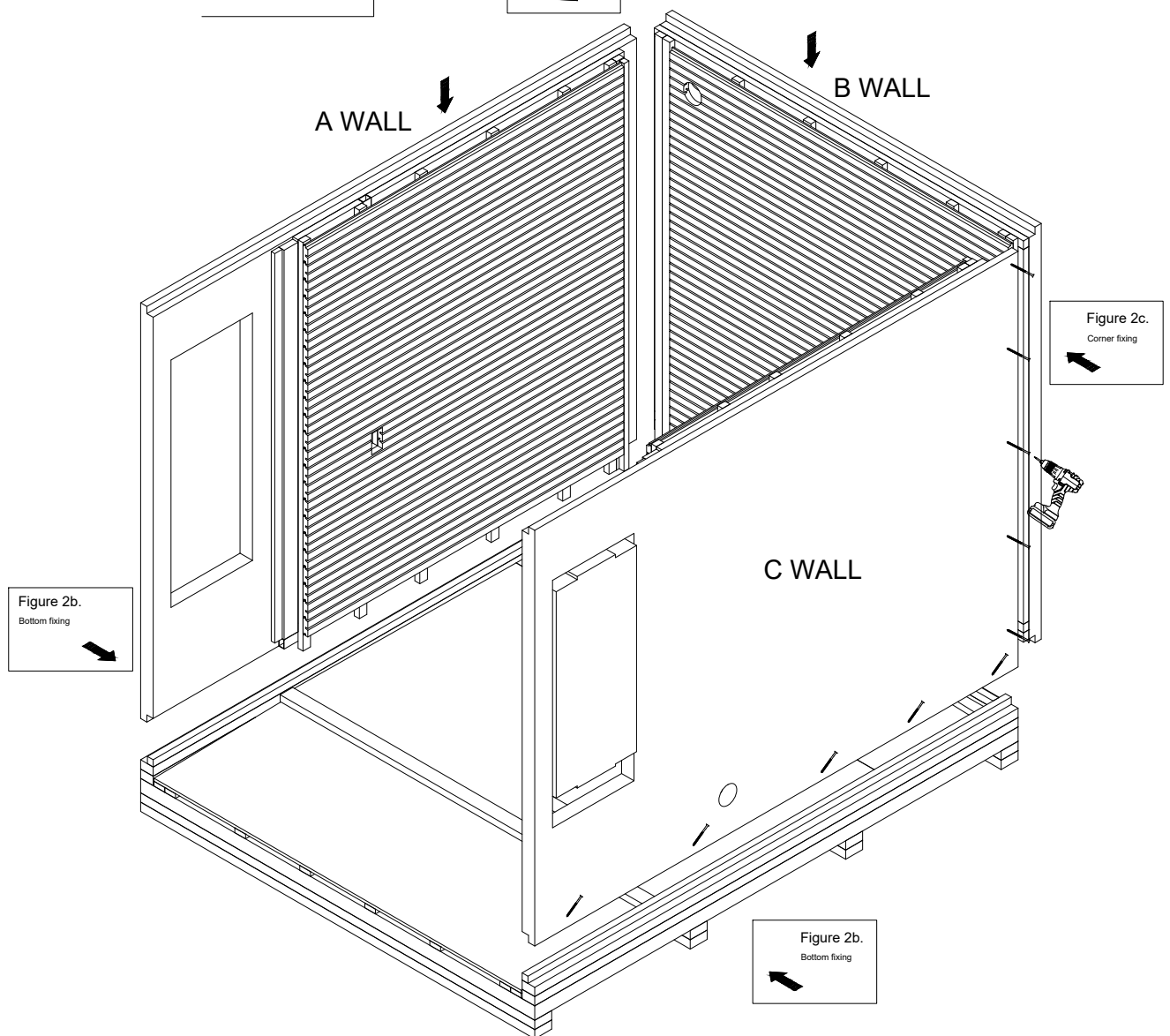


Figure 2c.

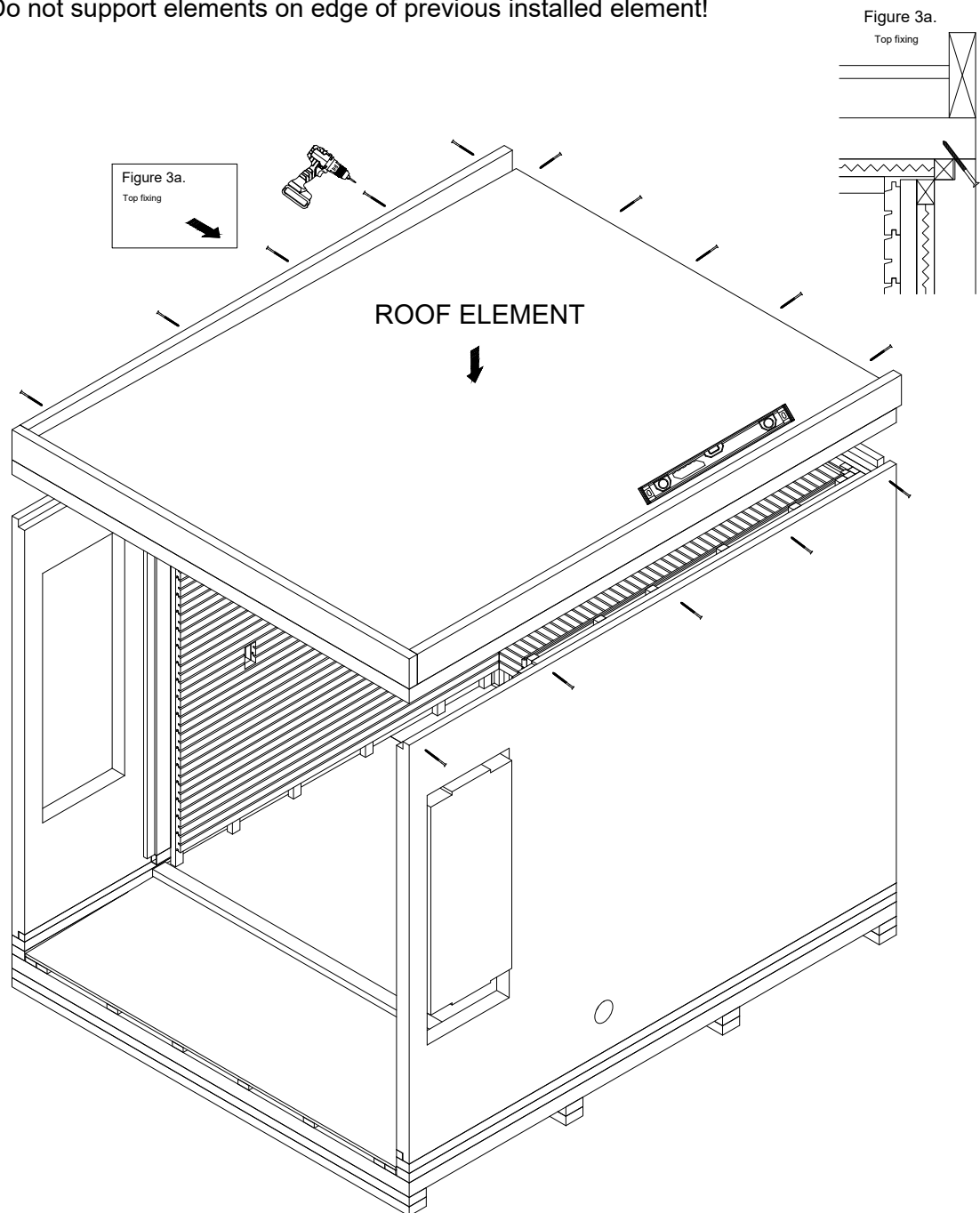
Corner fixing



3. Roof element

1. Place the roof element on top of previously installed and fixed wall elements. Check walls for vertical level. Ceiling element must sit flush with walls external layer and with no excessive gaps between internal panels. Fix with screws.
2. Install the ceiling as the previous. Check the front edge between ceiling and wall - they must fit flush.

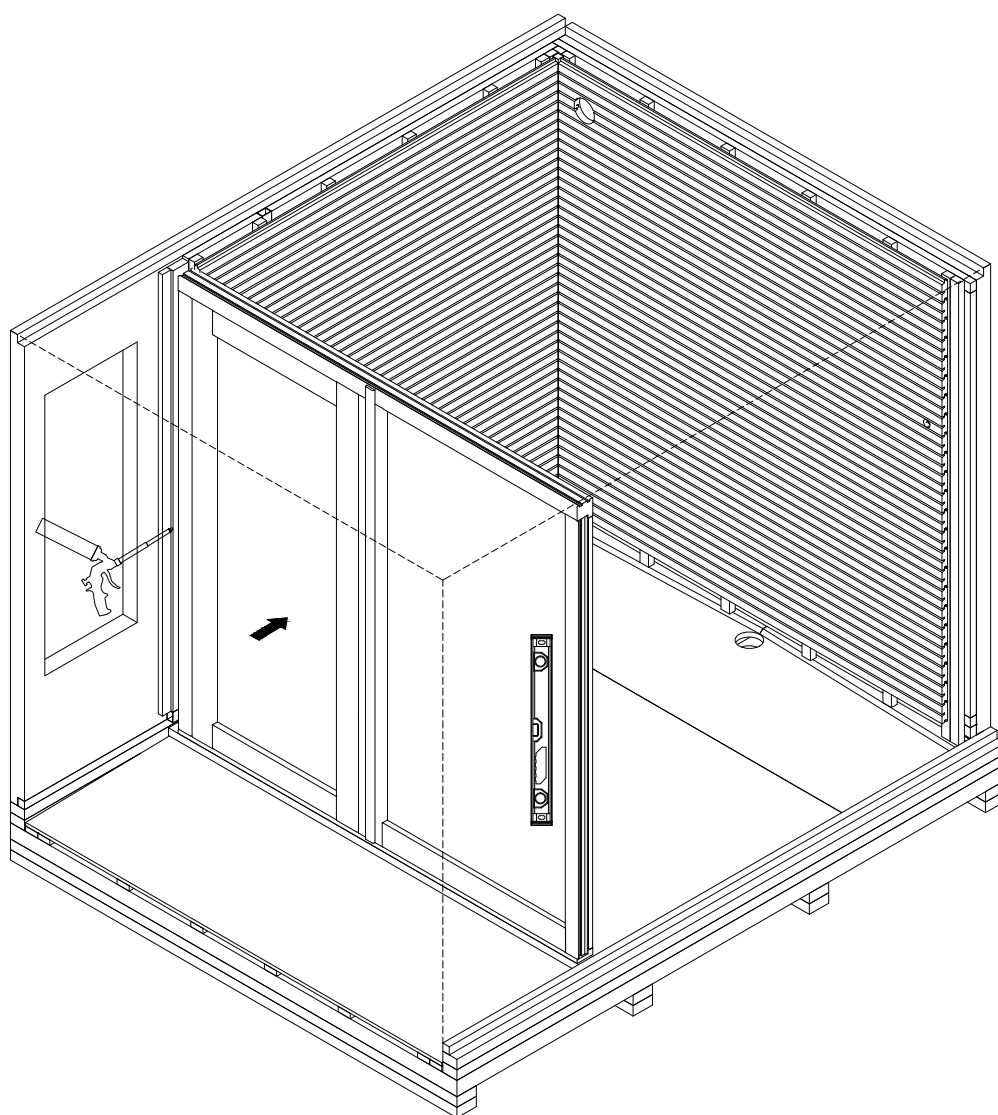
NOTE! Do not support elements on edge of previous installed element!



4. Glasswall

1. Fit the door to previously installed elements.
2. Check for level.
3. Fix the door with brackets and foam.

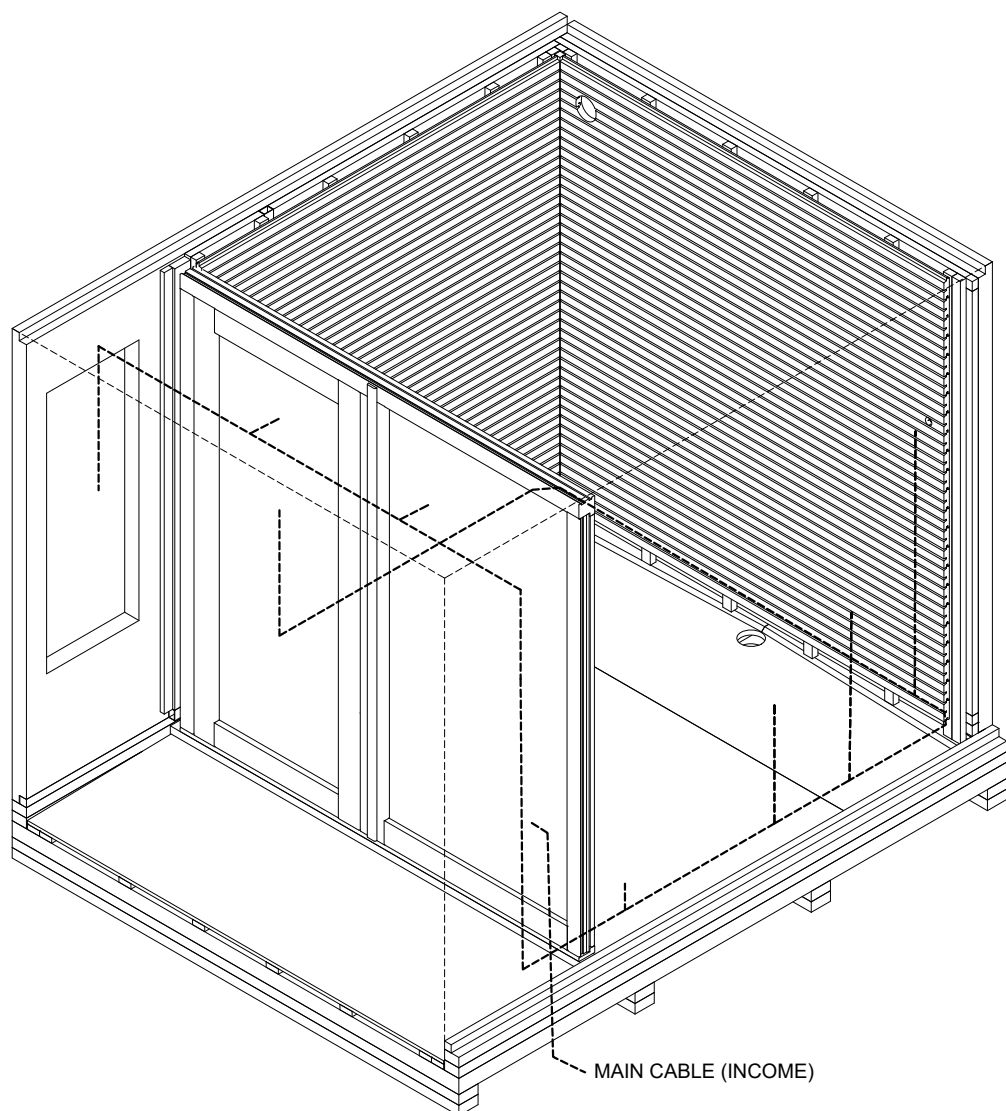
NOTE! Do not remove protection material from door until it is finally and properly fitted.



5. Electrical work

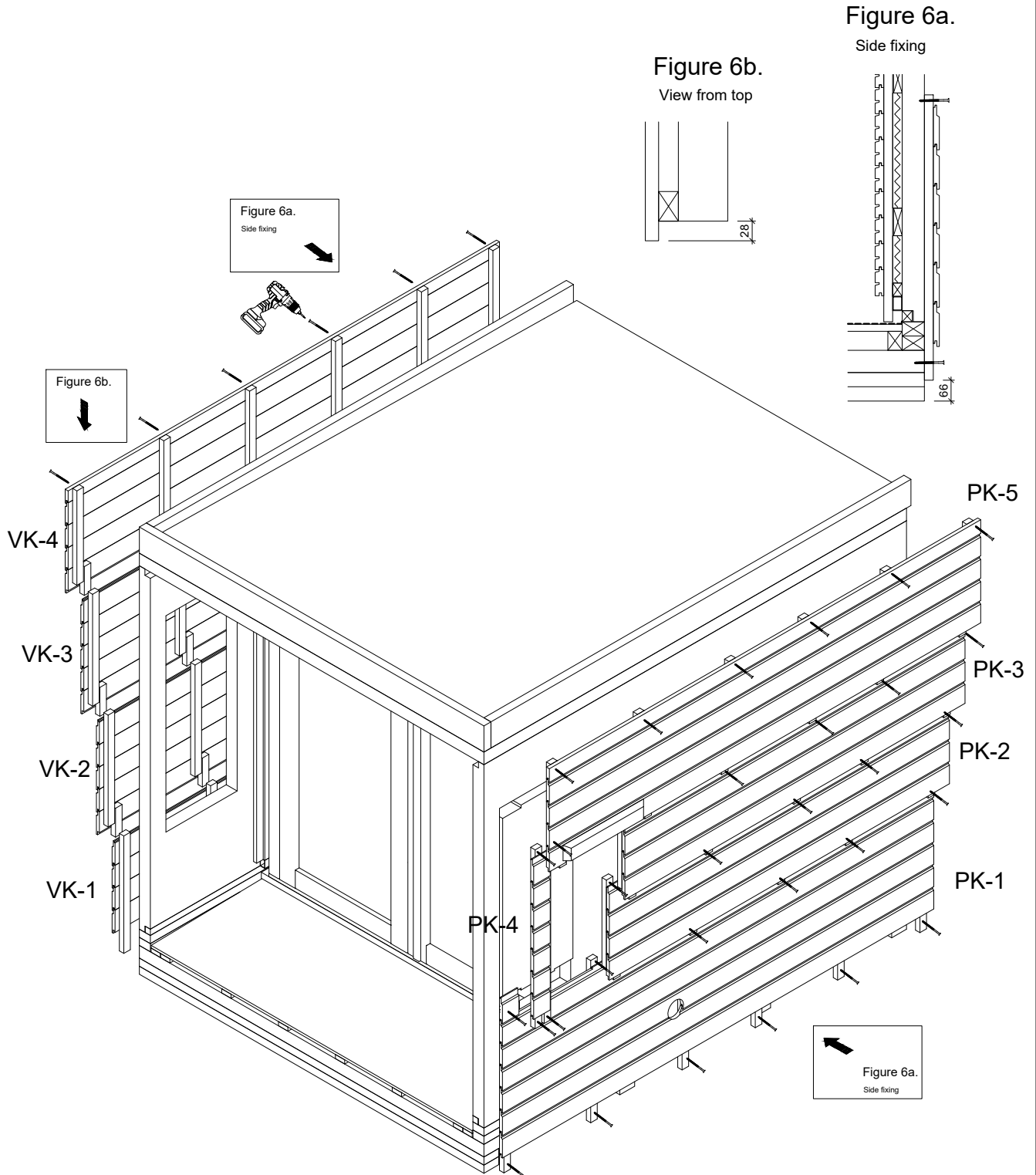
1. Before fixing interior loose boards or other panels, do all the necessary electrical work.

NB! ALL ELECTRICAL CONNECTIONS **MUST** BE MADE BY CERTIFIED ELECTRICIAN!



6. Side panels

1. Start assembly from VK-1 to VK-4. Place the panels on previously assembled and stable elements and fix with screws as indicated on Figure 6a.
2. NOTE! There is a small board in PK-4 panel that you have to slide in its place.
3. Fix top panels through board with black screws.

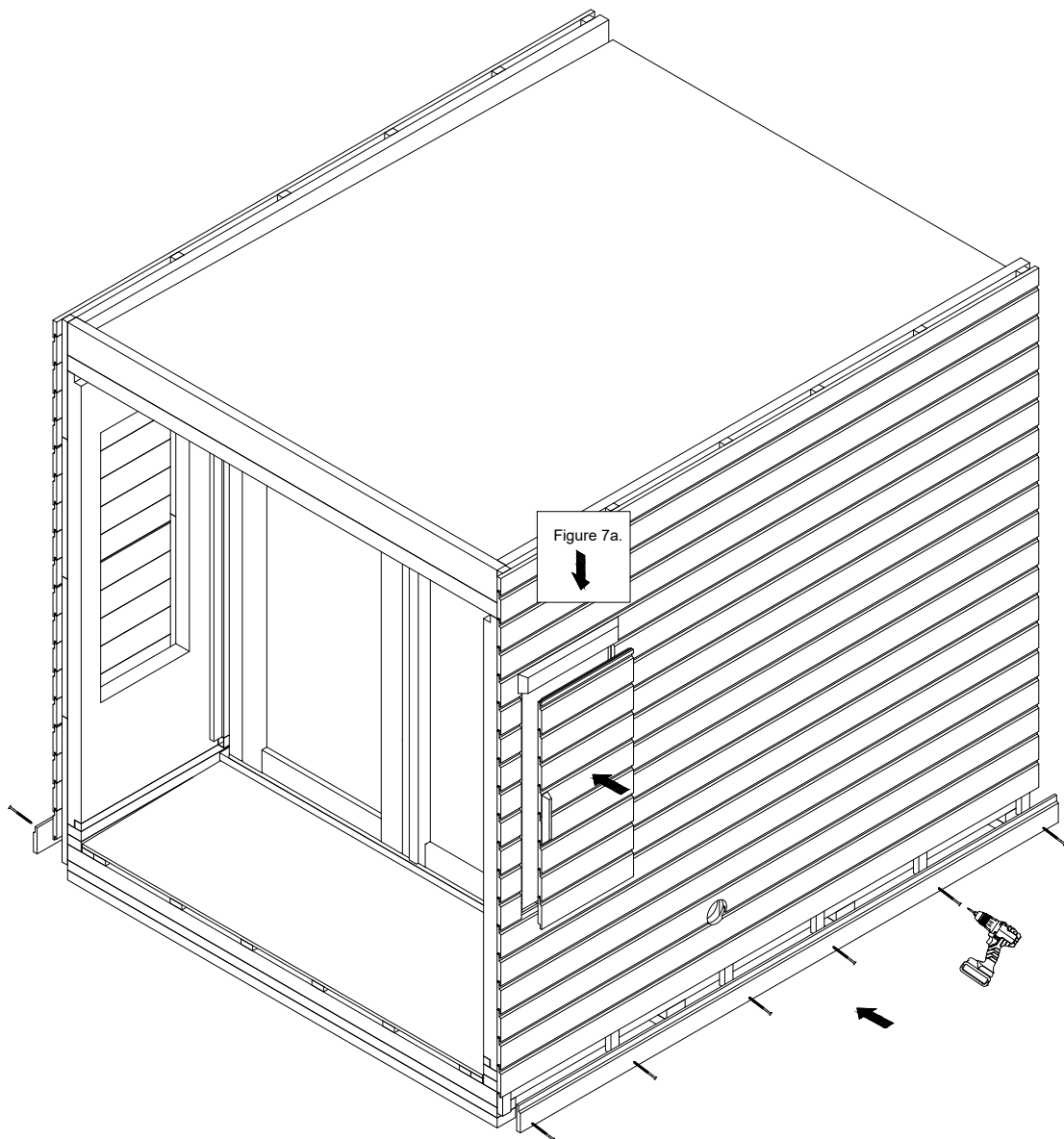
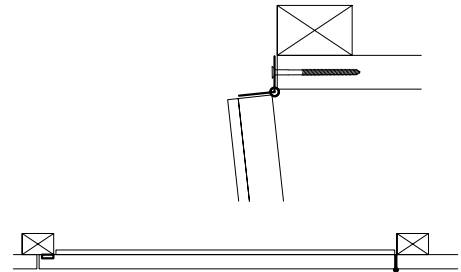


7. Side door for electrical box

1. Place the door in a hole in exterior panels. Fix the door with screws trough hinge.
2. Fixe loose bottom boards with black screws.

Figure 7a.

View from top



8. Back panels

1. Start assembly from TK-1 to TK-4. Place the panels on previously assembled and stable elements and fix with screws as indicated on Figure 8a.
2. Fix top panels through board with black screws.

Figure 8b.

View from top

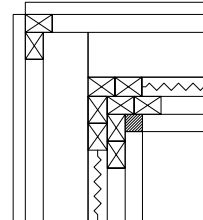


Figure 8a.

Back fixing

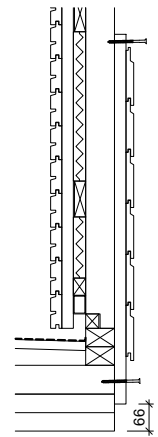
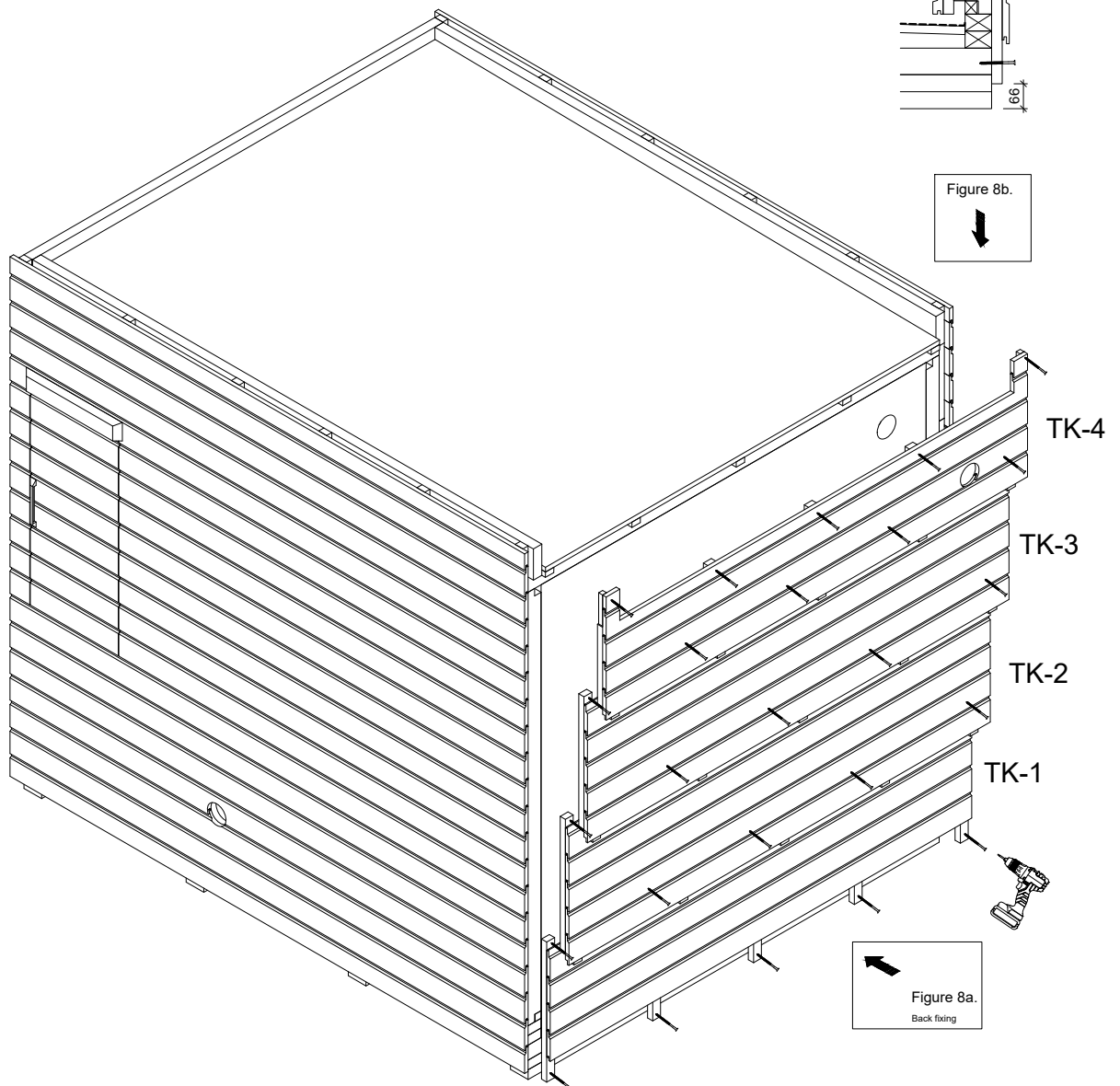
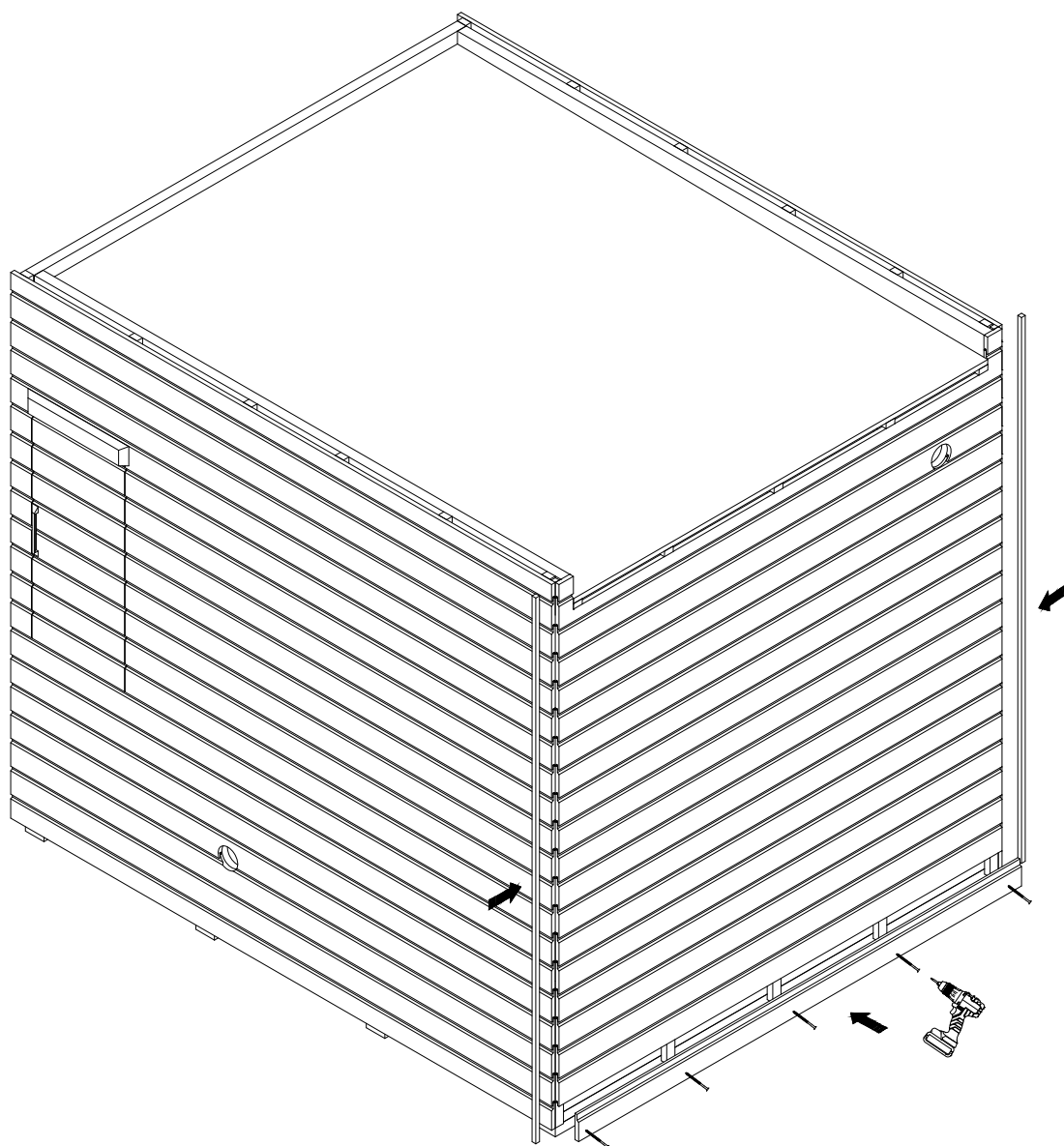


Figure 8b.



9. Corner mouldings and loose bottom board

1. Fix the bottom loose board with black screws.
2. Corner pieces are fixed with small nails or screws.



10. Terrace side panels

1. Start assembly from A side to C side. Place the elements on previously assembled and stable elements and fix with screws as indicated on Figure 10a.
2. After fixing panels, slide loose boards in empty places.
3. Make sure the electrical cables are attached and fixed before fixing side panels.

Figure 10a.
Front view

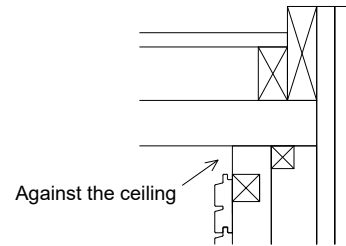
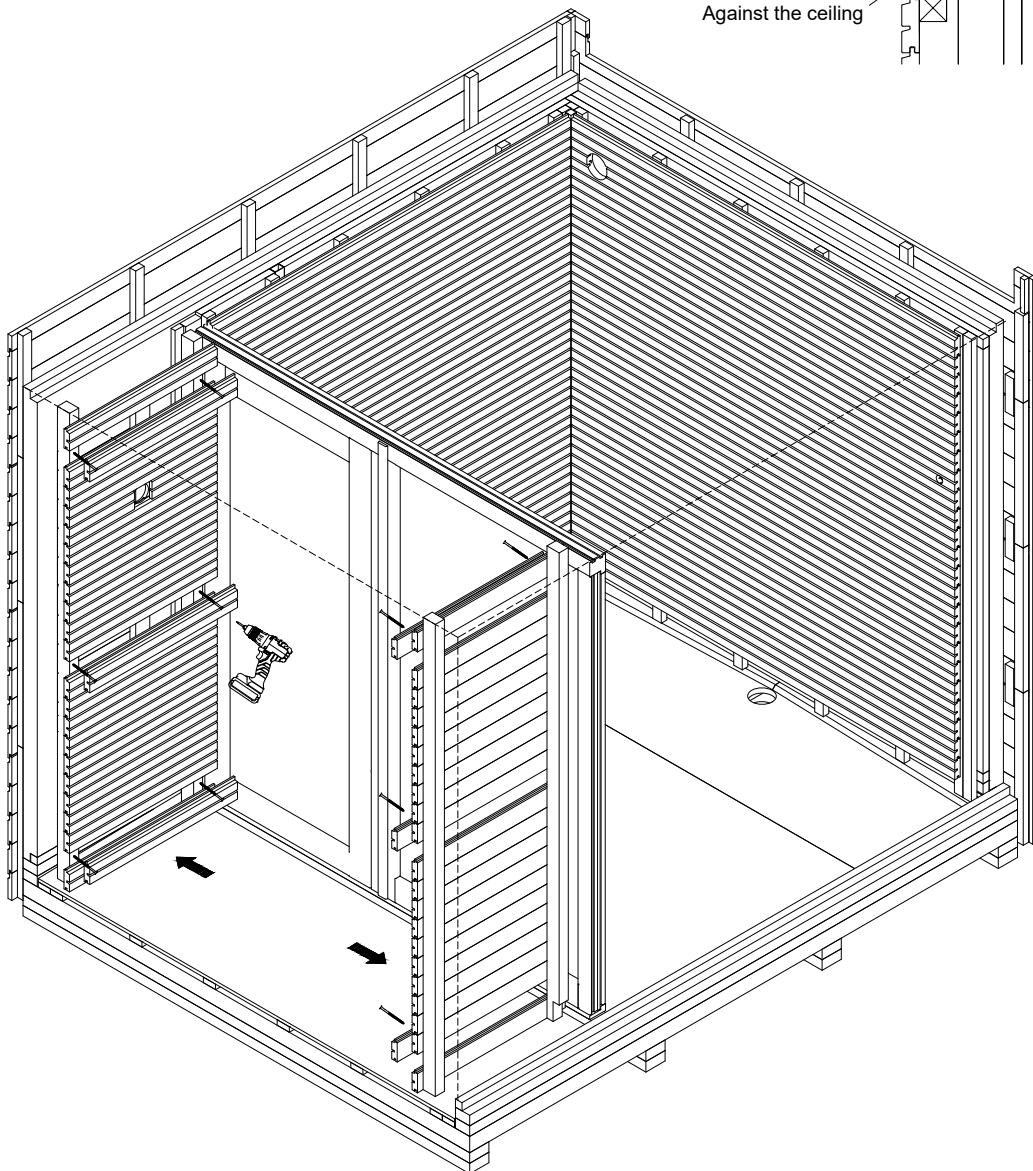


Figure 10a.
Front view



11. Terrace ceiling panels

1. Start assembly from TLL-1 to TLL-2. Place the panels on previously assembled and stable elements and fix with screws as indicated on Figure 10a.
2. After fixing panels, slide loose boards in empty places.
3. Make sure the electrical cables are attached and fixed before fixing side panels.

Figure 11a.

Front view

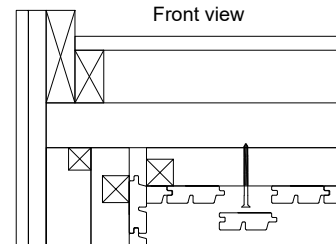
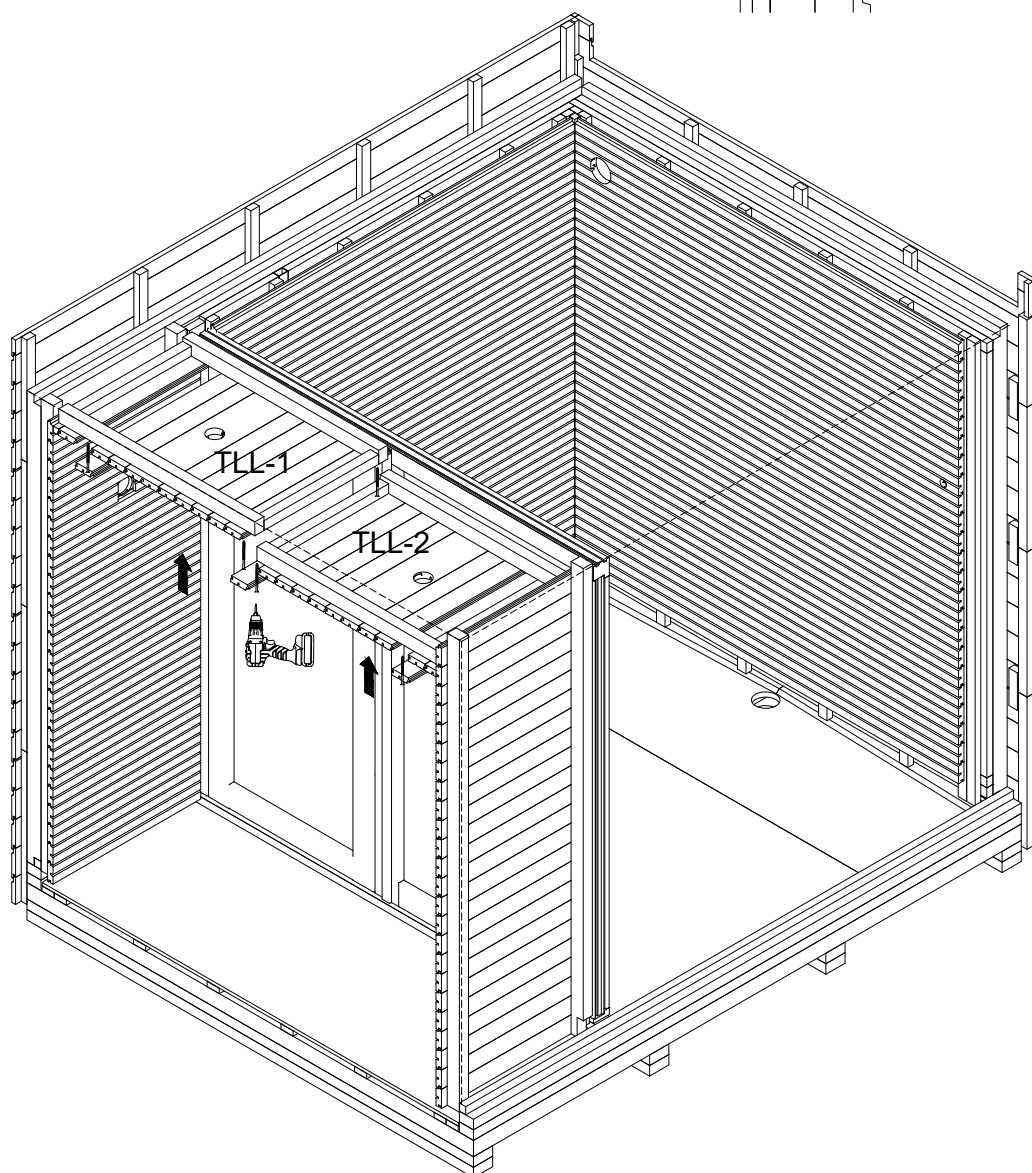


Figure 11a.
Front view



12. Front panels

1. Start assembly from EK-1 to EK-4. Place the panels on previously assembled and stable elements and fix with screws as indicated on Figure 12a and 12b.
2. Fix top panels through board with black screws.

Figure 12b.

Bottom fixing

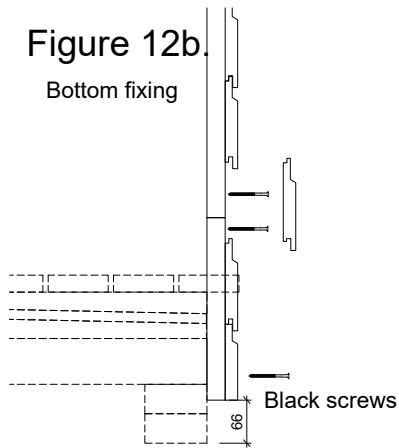


Figure 12a.

Top fixing

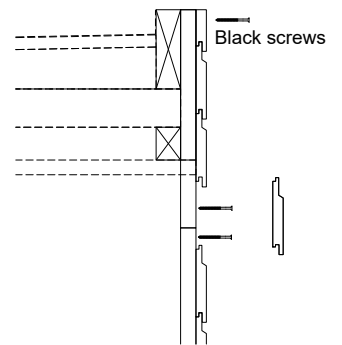


Figure 12a.

Top fixing

EK-4

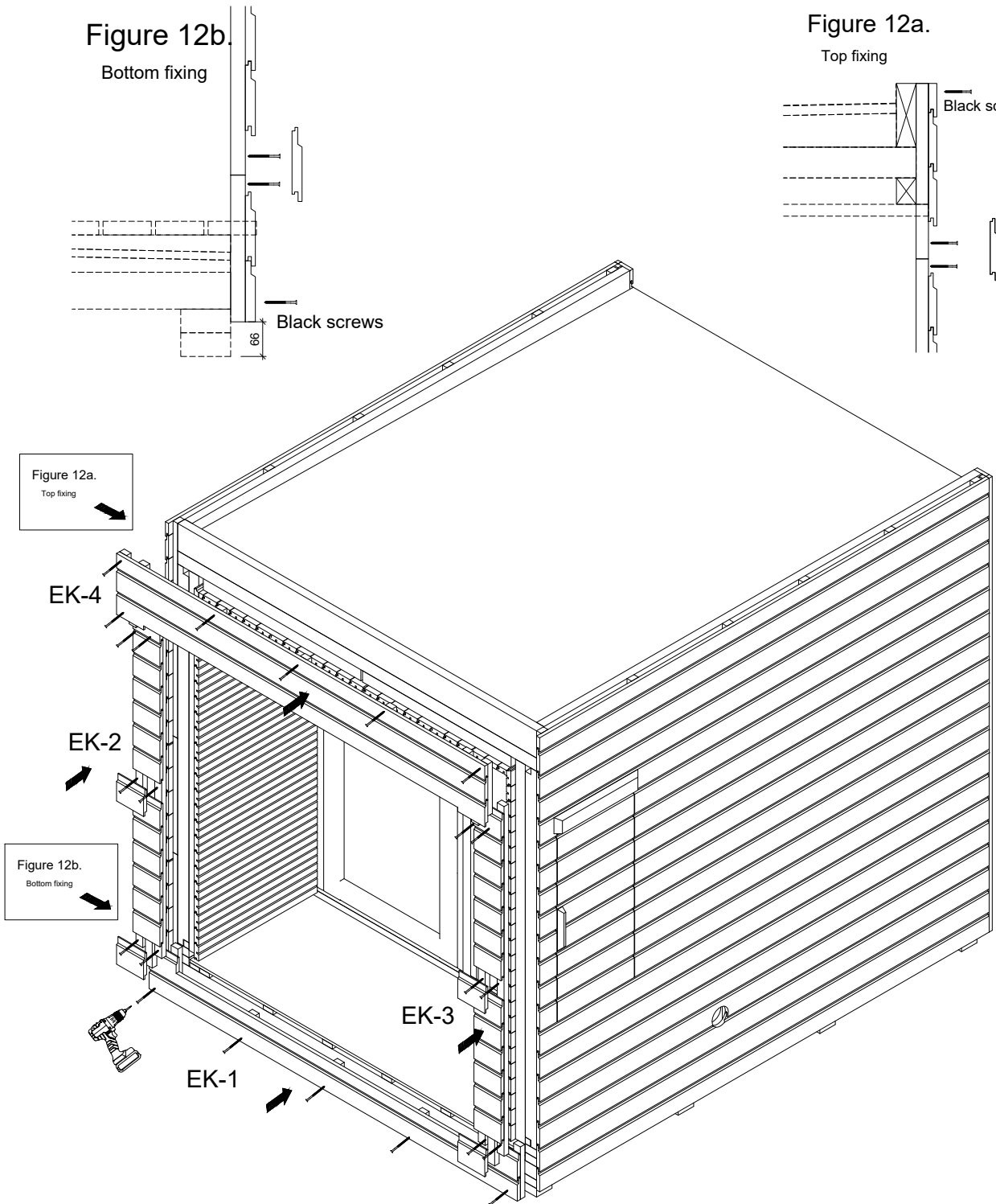
EK-2

Figure 12b.

Bottom fixing

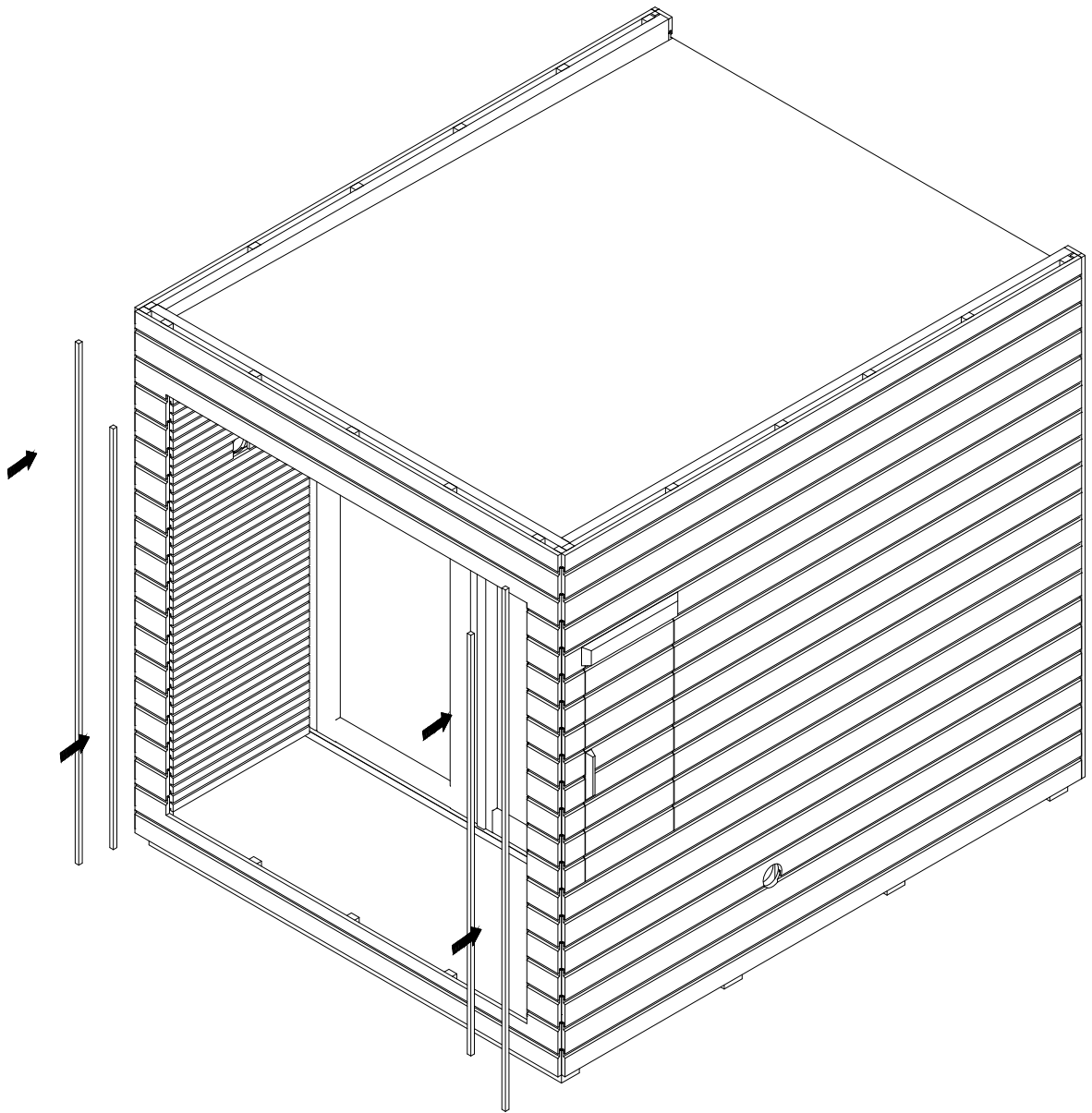
EK-3

EK-1



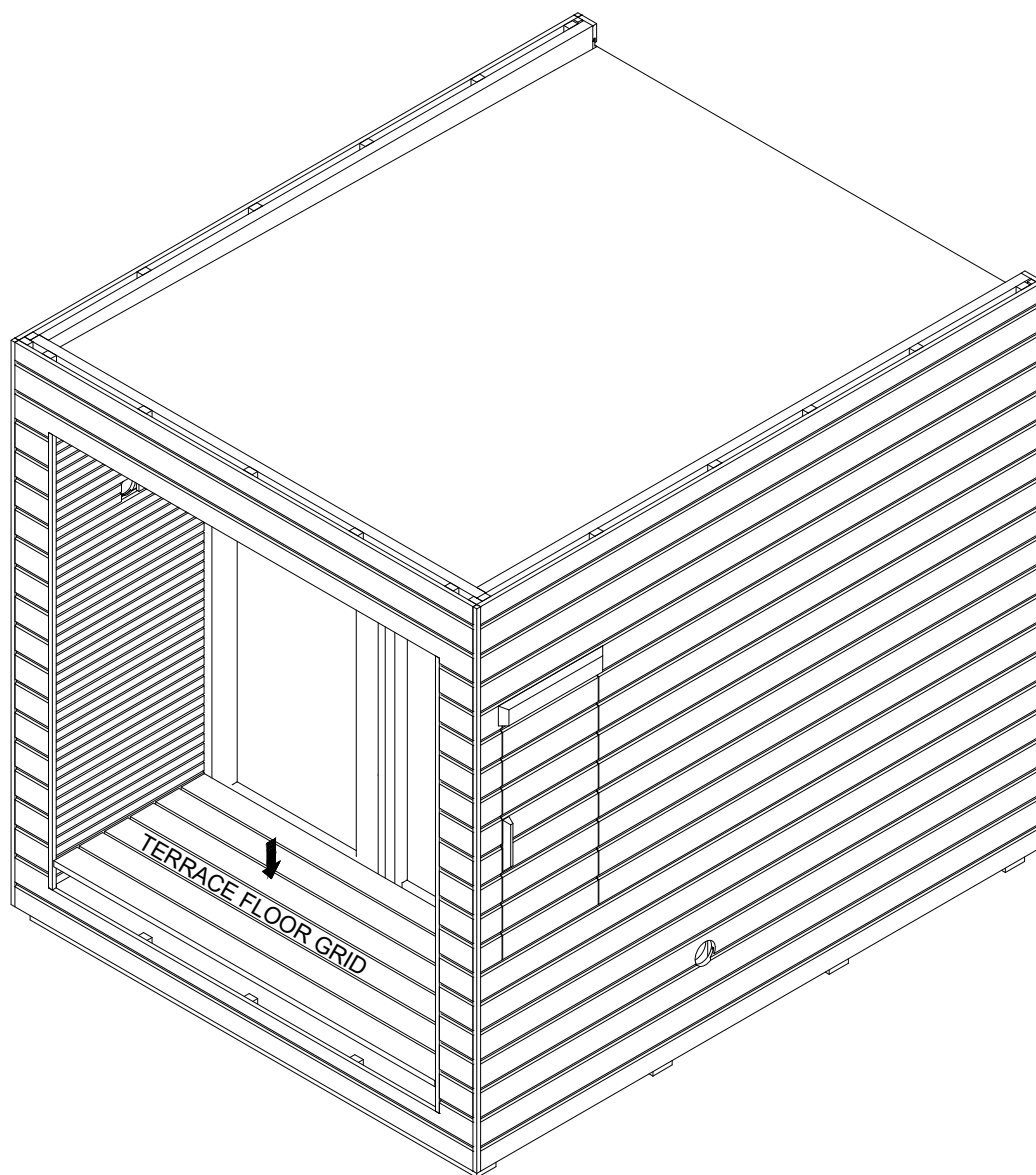
13. Front corner mouldings

1. Corner pieces are fixed with small nails or screws.



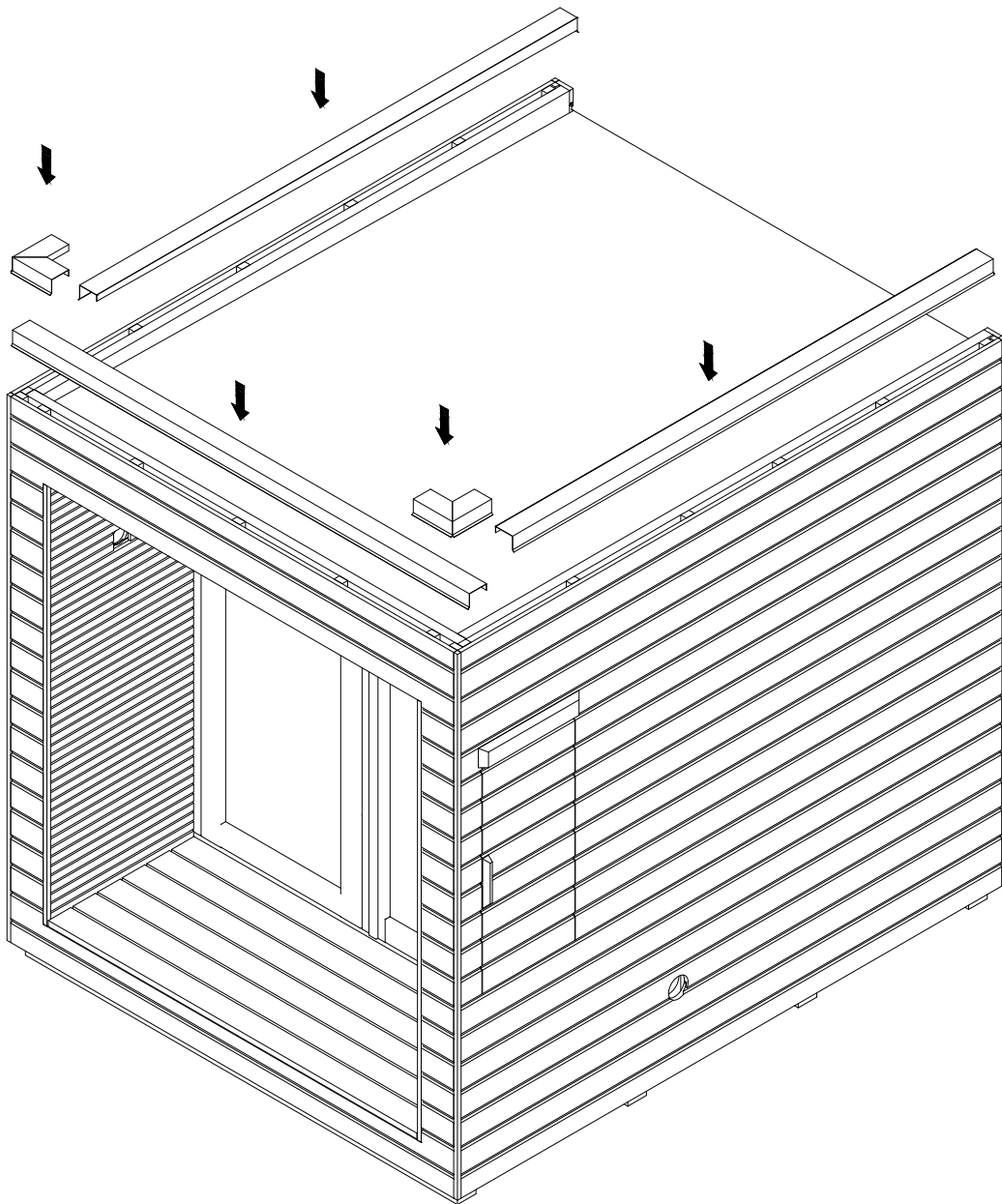
14. Terrace floor grid

1. Carefully set the terrace floor grid to its place.



15. Roof stains

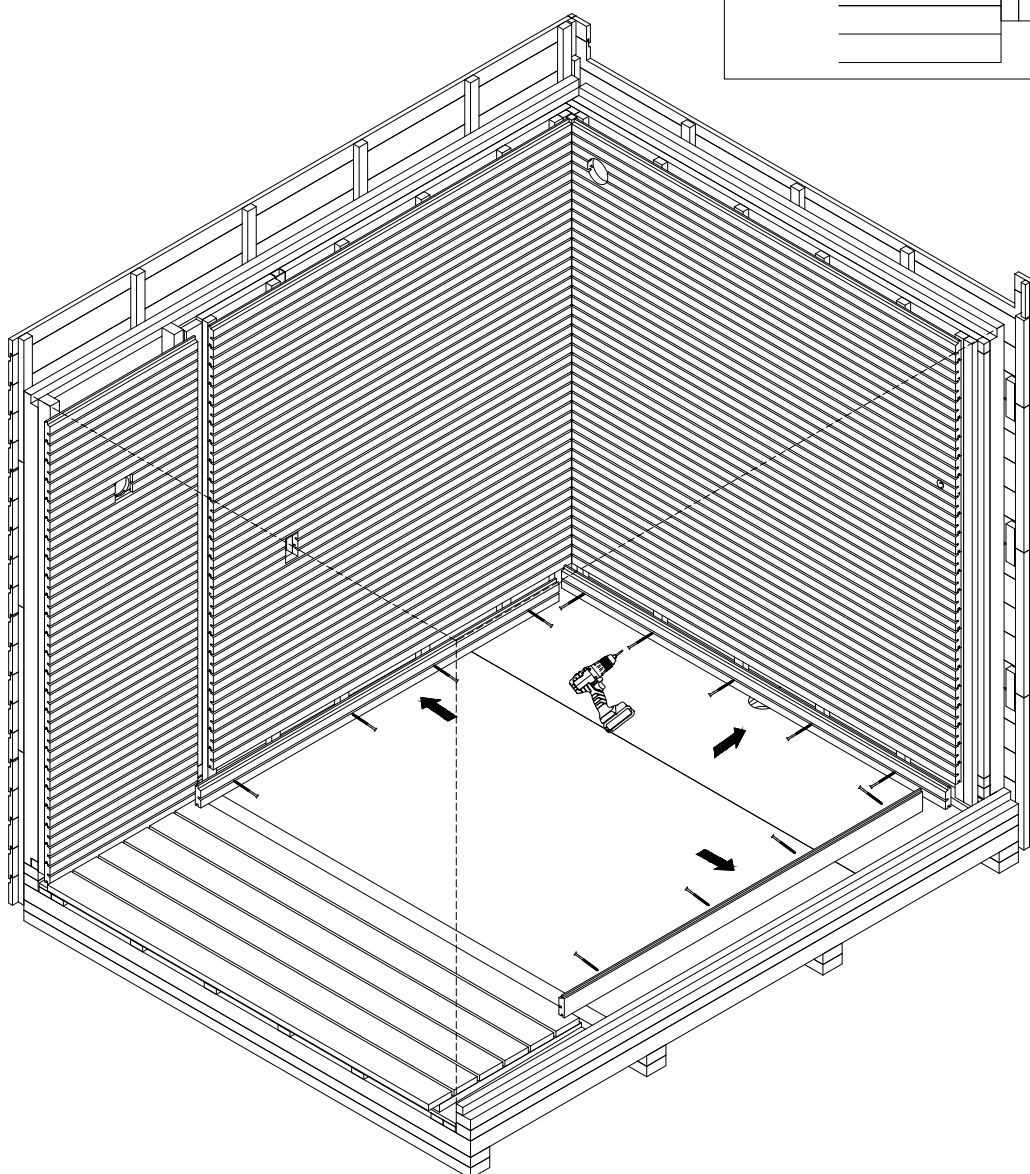
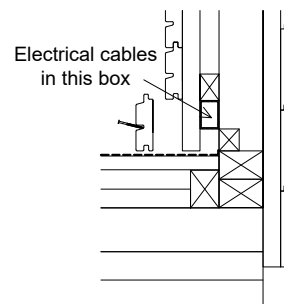
1. Stains are fixed with special black screws.



16. Interior loose boards

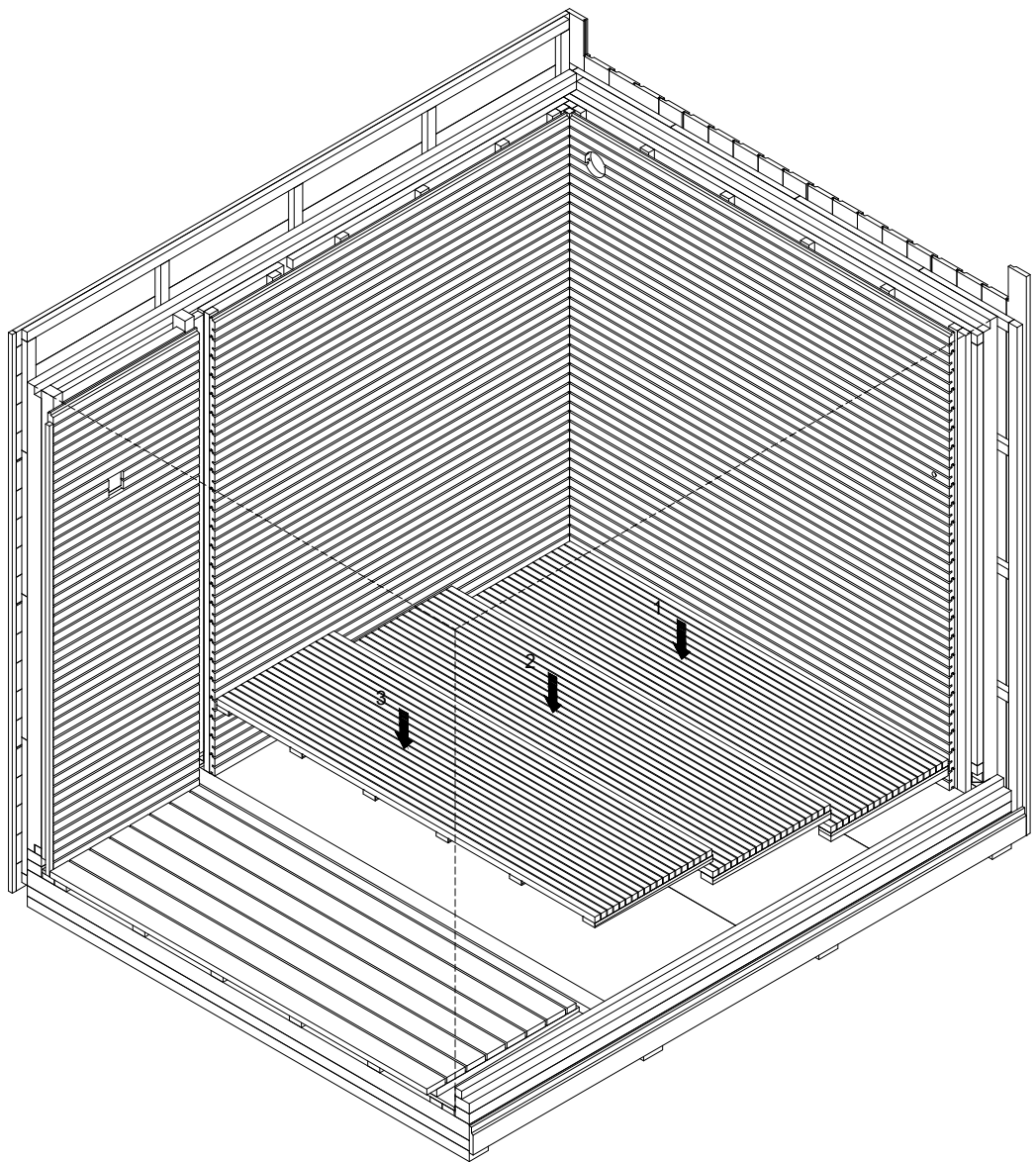
1. Before fixing boards, make sure all the necessary cables are installed.
2. Boards are fixed with brown screws as indicated on Figure 16a.

Figure 16a.



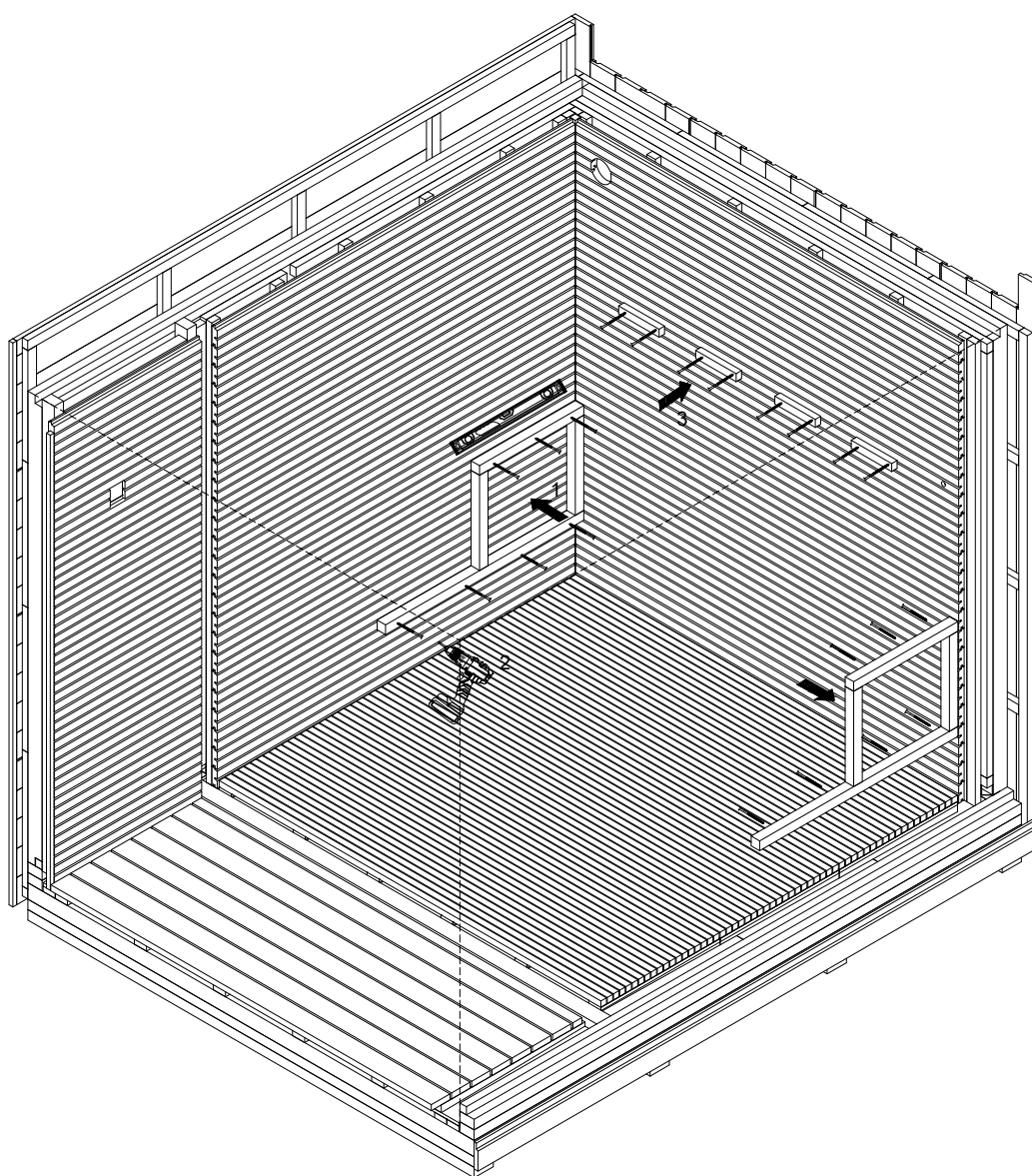
17. Floor grids

1. Start placing floor grids from back to front.



18. Bench supports, backrest supports

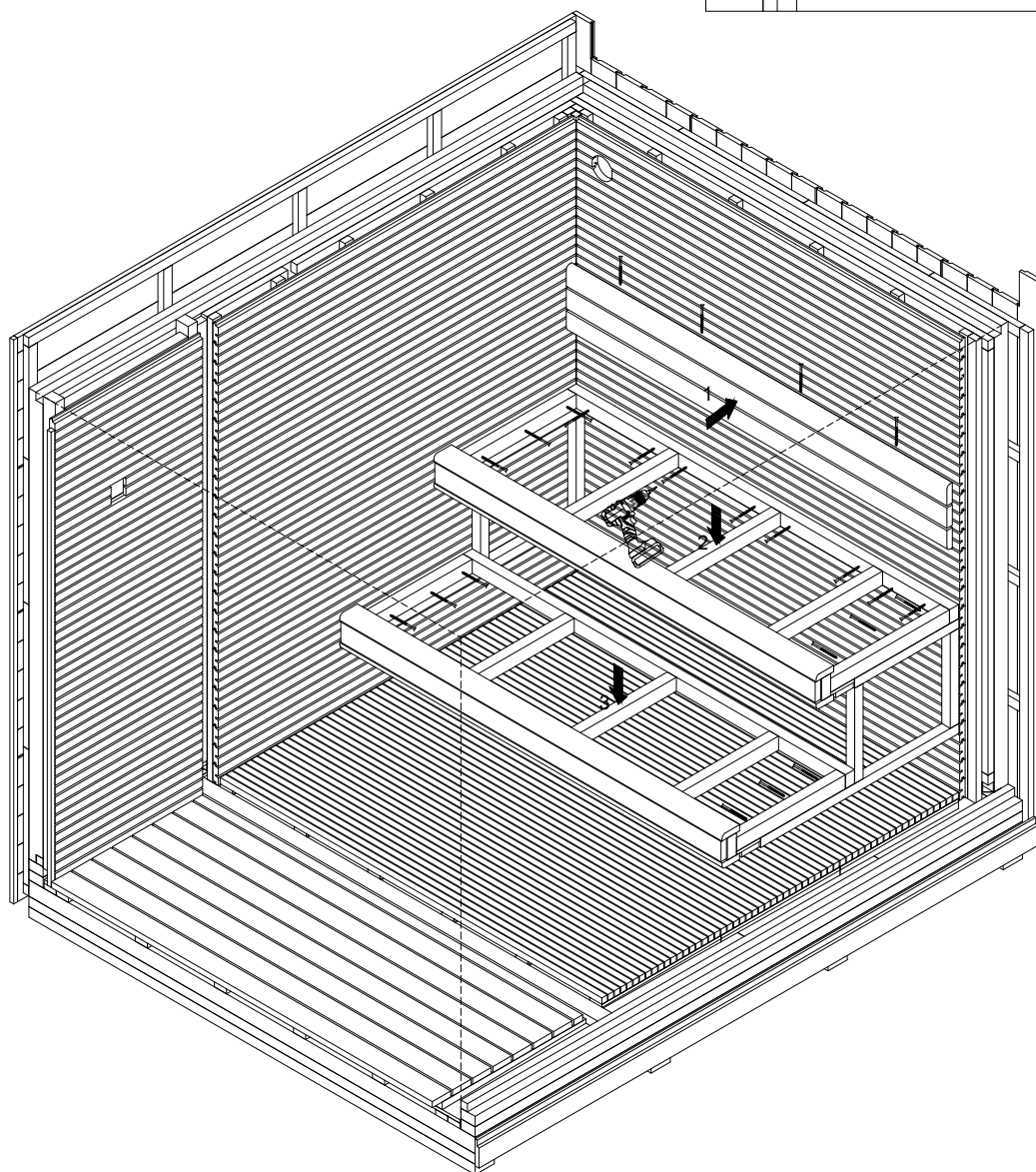
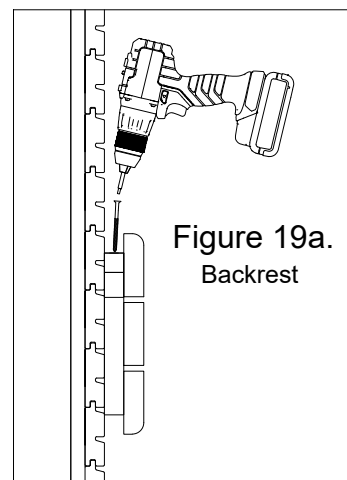
1. Place bench supports in sauna, check for level.
2. Fix bench supports with screws.
3. Fix backrest supports with screws.



19. Horizontal bench frames

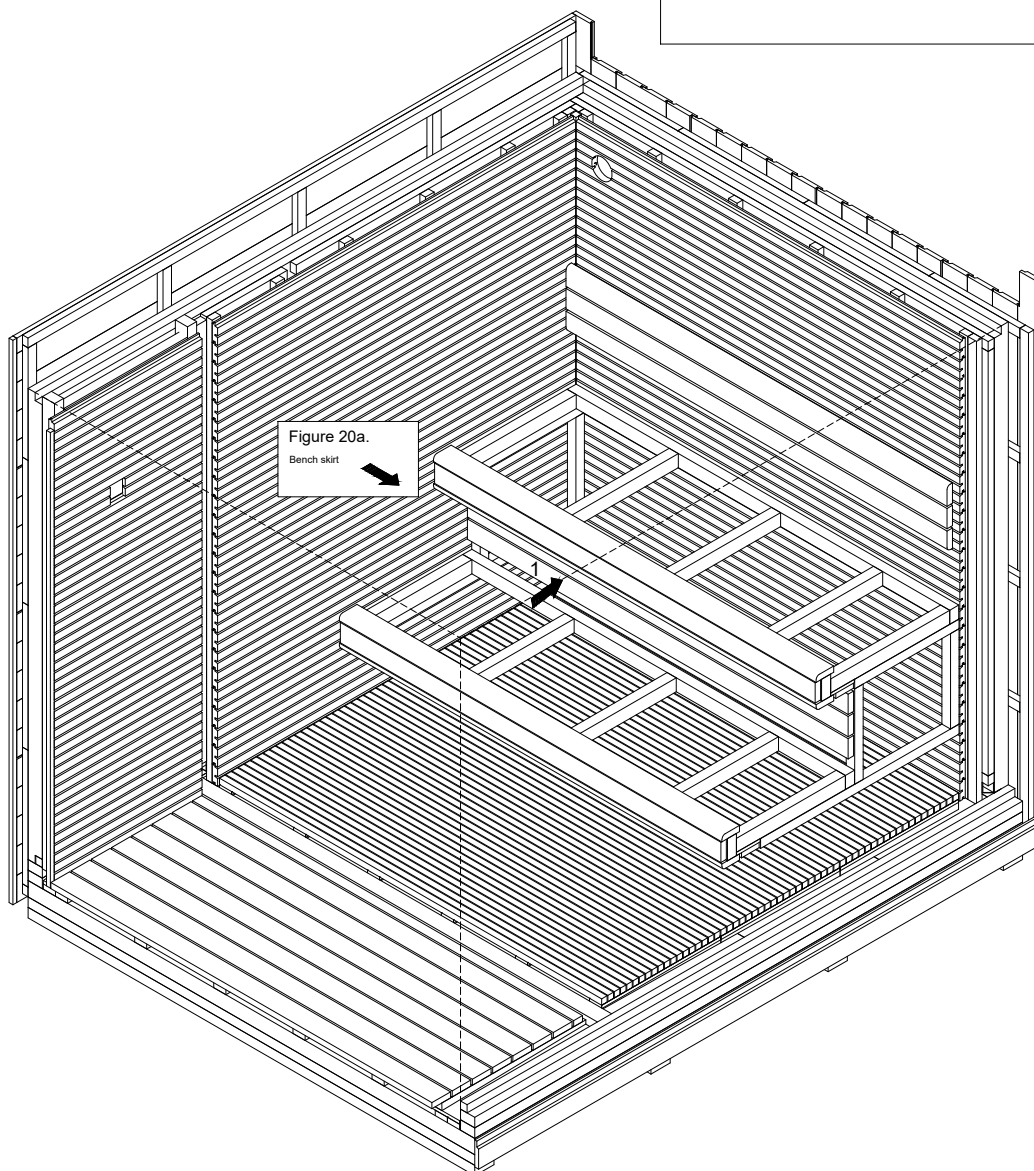
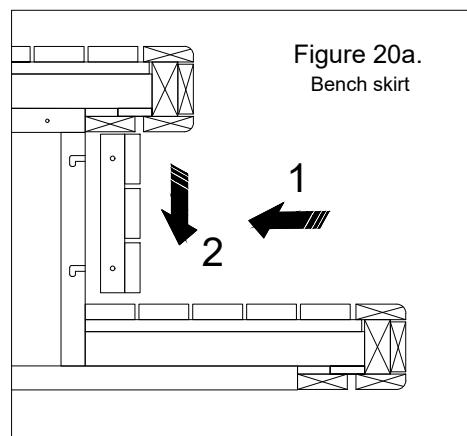
1. Fix backrest with screws as shown (Figure 19a).
2. Place upper bench frame and fix with screws.
3. Place lower bench frame and fix with screws.

NOTE! First fasten the screws on side walls, then back wall.



20. Bench skirt

1. Lift bench skirt in place. See Figure 20a.



21. Bench grids

1. Place bench grids on bench frames.

