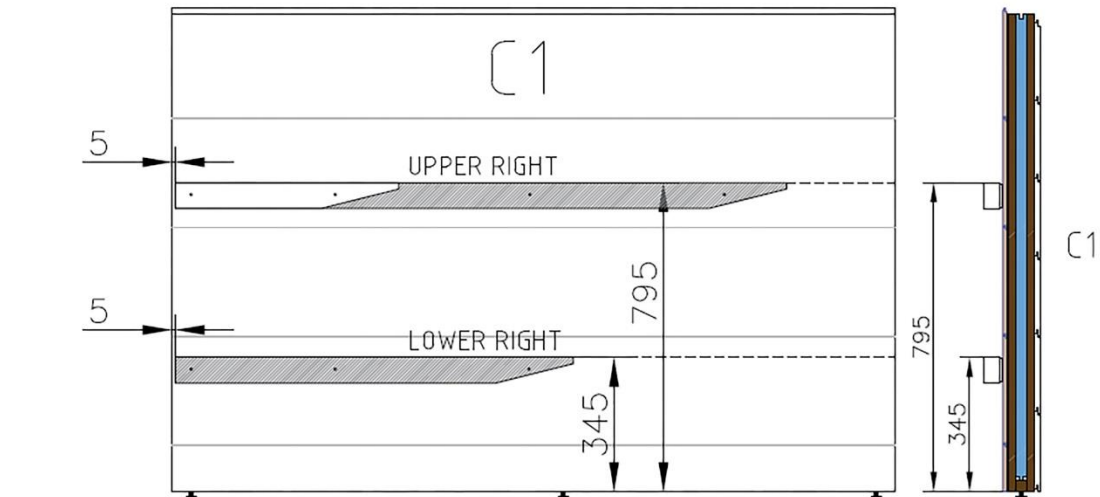
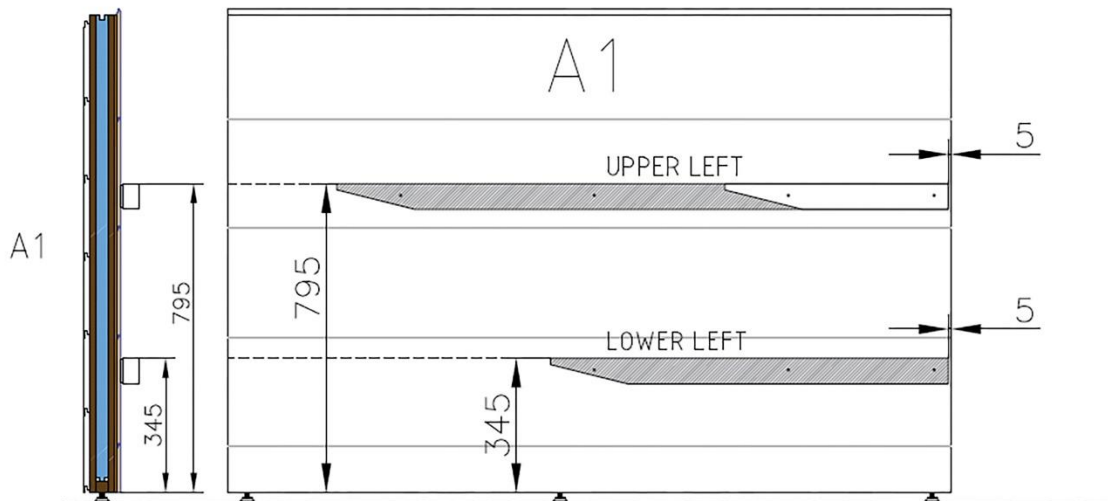
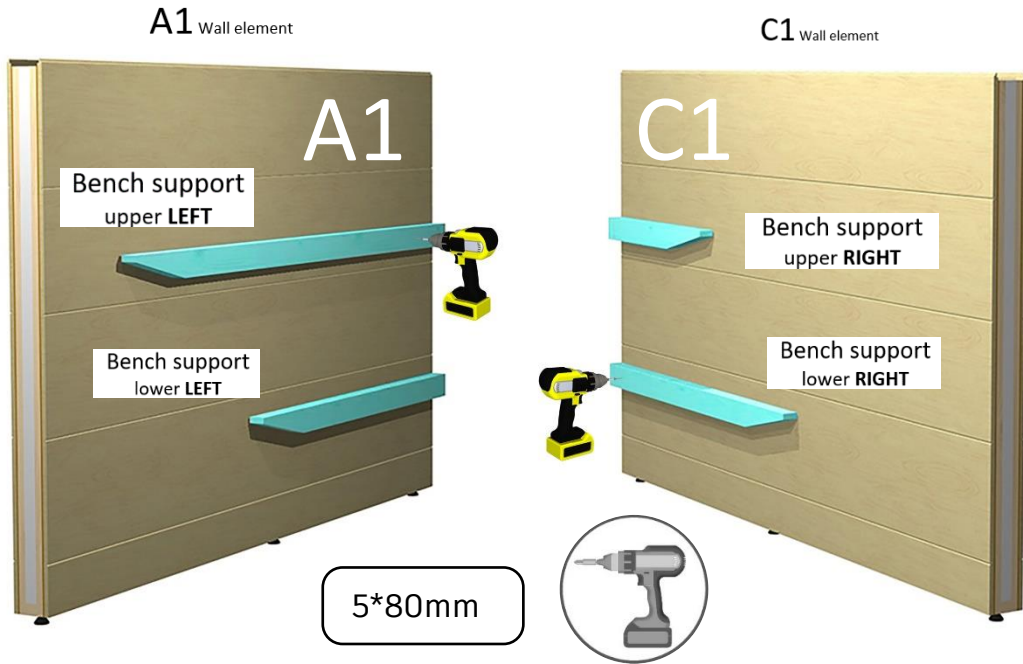
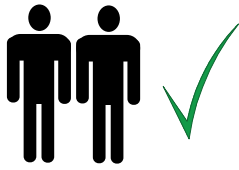
 Made in Finland

## Ventura sauna cabin - Installation instructions

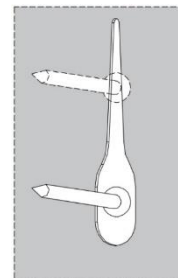
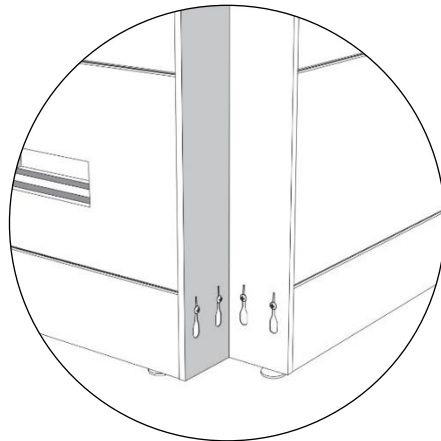
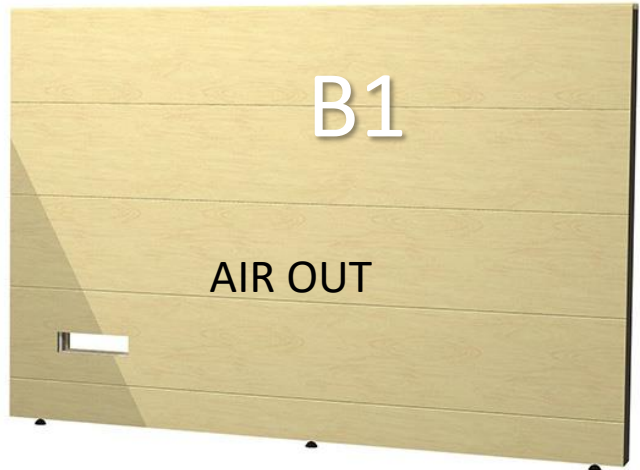


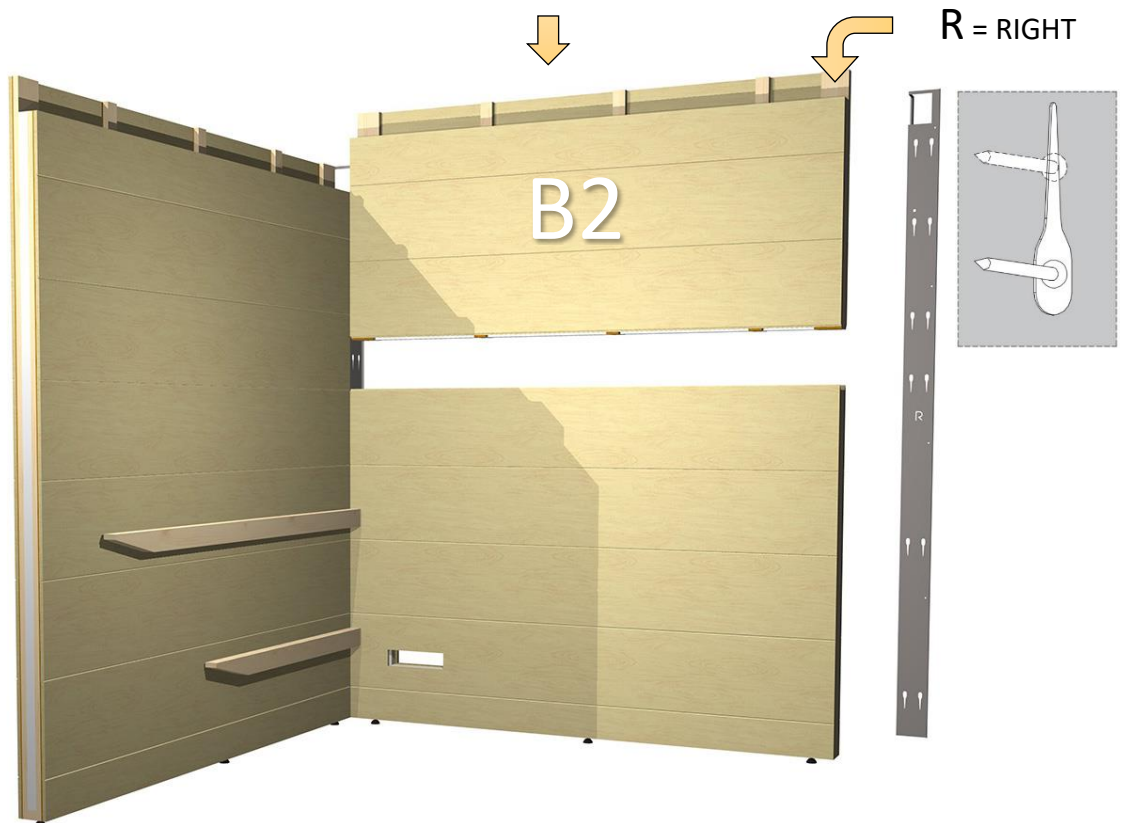
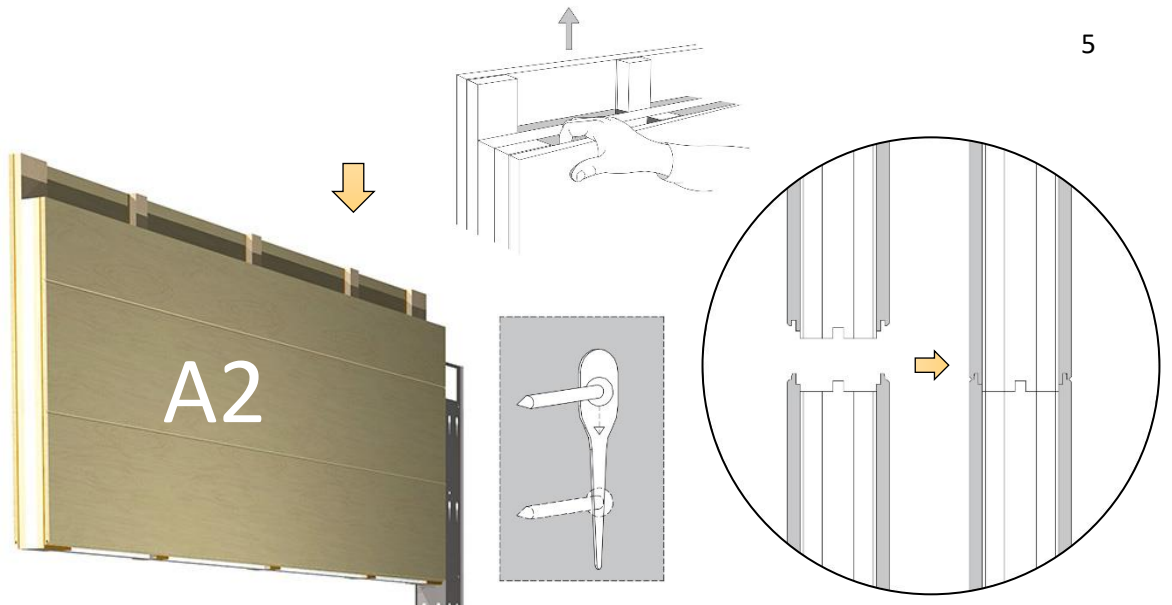
Table of contents VENTURA-sauna cabin		
Sauna cabin		
Wall-elements	Info	Quantity
A1		1 pc
A2		1 pc
B1		1 pc
B2		1 pc
C1		1 pc
C2		1 pc
Back steel profiles		
Back profile L (LEFT)	ZVEL-720	1 pc
Back profile R (RIGHT)	ZVEL-721	1 pc
Roof element(s)		
R1		1 pc
R2	if depth bigger than 1200mmm	1 pc
Front steel profile		
Front profile L (LEFT)	ZVEL-730	1 pc
Front profile R (RIGHT)	ZVEL-731	1 pc
Back corner covers		
Left back corner cover		1 pc
Right back corner cover		1 pc
Corner trims		2 pcs
Benches		
Lower bench 1		1 pc
Lower bench 2	layout dependent	1 pc
Upper bench 1		1 pc
Upper bench 2	layout dependent	1 pc
Upper bench 3	layout dependent	1 pc
Bench support(s)		
Standard benc support(s)	layout dependent	
Back rest(s)		
Back rest 1		1 pc
Back rest 2	layout dependent	1 pc
Back rest 3	layout dependent	1 pc
Glass front		
G1	Next to door with hinges	1 pc
G2	Next to door	1 pc
D	Door glass	1 pc
UG	Upper glass above the door	1 pc
Hinges	SAZ0602 (RG-932)	2 pcs
Door handle	SAZ045, chrome	1 pc
Threaded rod	KT021	1 pc
Magnet holder	ZVEL-500	1 pc
Counter part for magnete	ZVEL-501	1 pc
Magnet	SAZ048KPL	1 pc
Glass supporting leg	SAZ064M	4 pcs
LIGHTING		
Sauna lamp white	SAS21060T	1 pc
RGBW-LED tubes	layout dependent	4 pcs
Power 90W (24V)	layout dependent	1 pc
Power 160W (24V)	layout dependent	1 pc
RGBW LED funk driver CV 24V		1 pc
RGBW LED remote unit 1 zone		1 pc
Ventilation		
Ventilation tunnel, steel	ZVEL-740	1 pc
AIR Ventilation slider, black	4021101	1 pc
Accessories		
Installation instructions		1 pc
Screws	layout dependent	

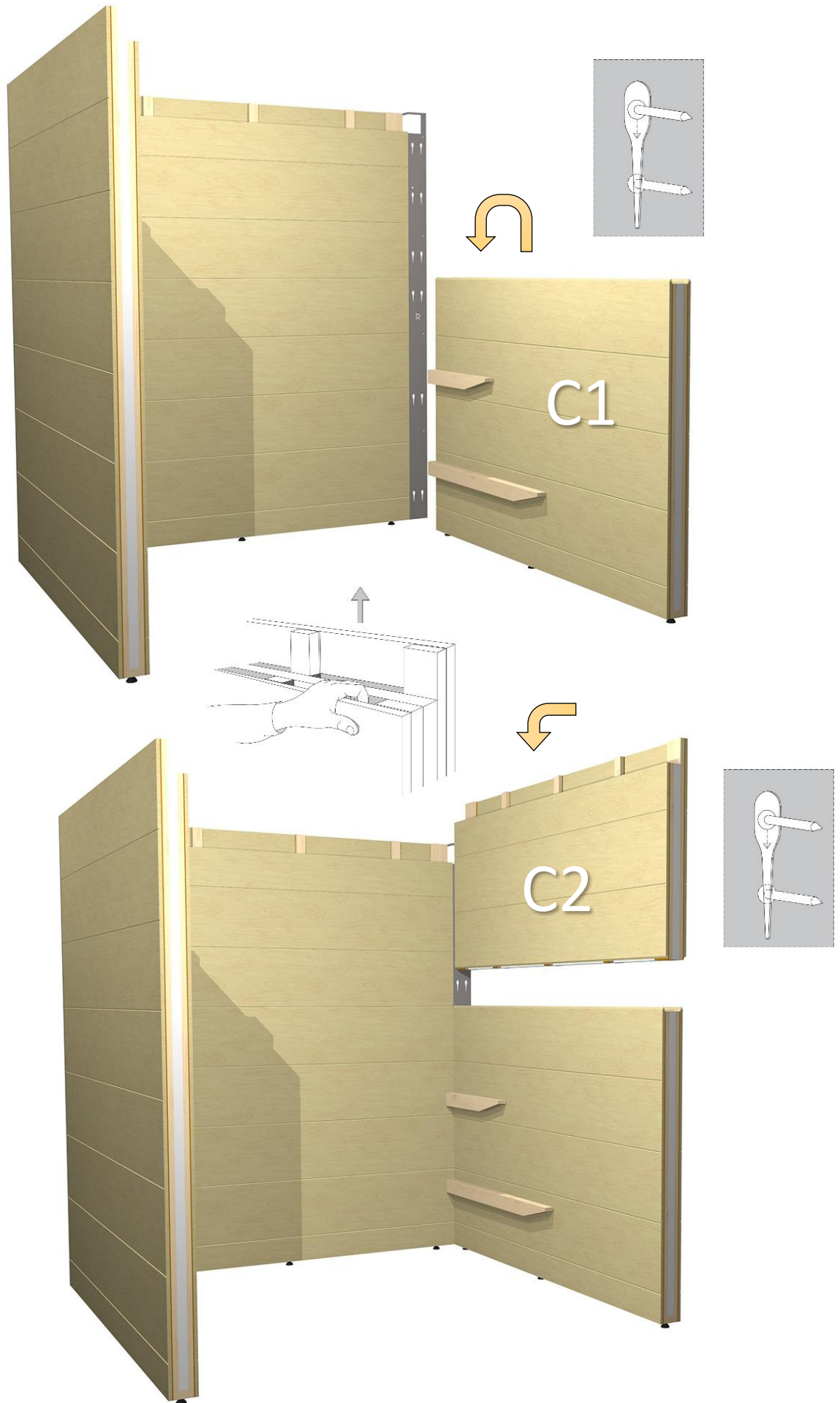




L = LEFT

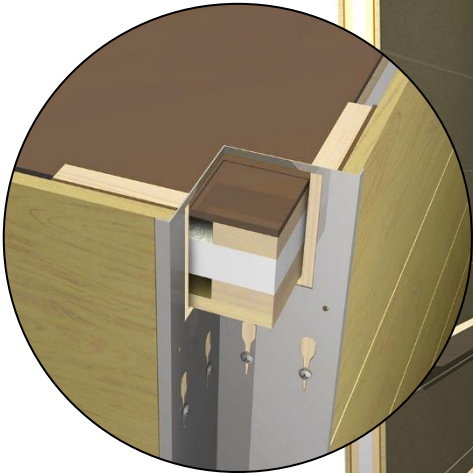




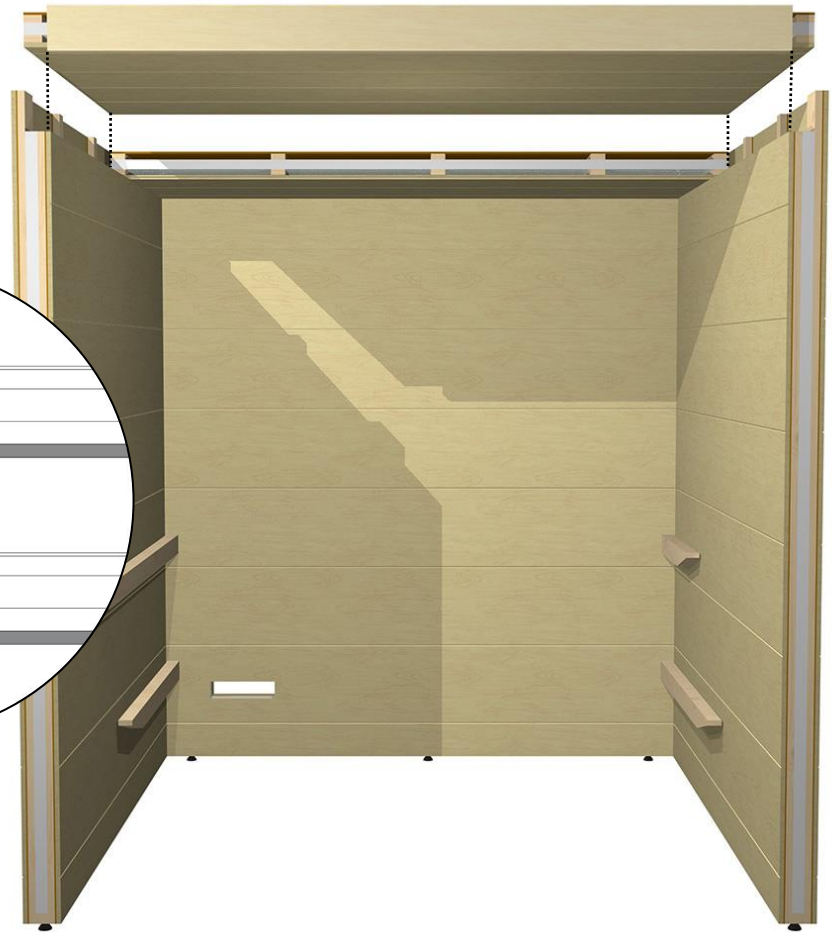
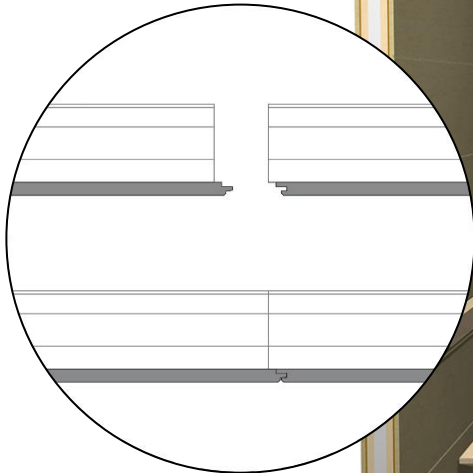


R = Roof

R1 ↓

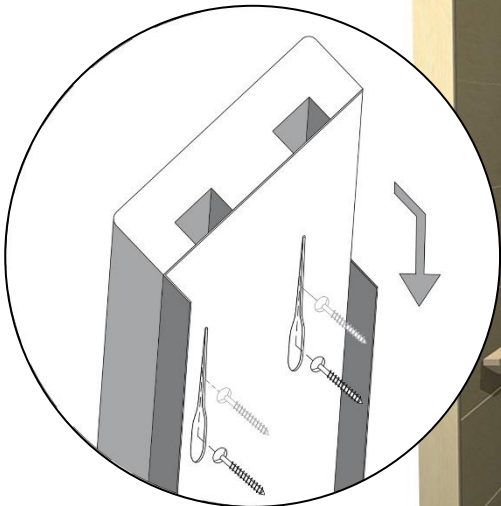
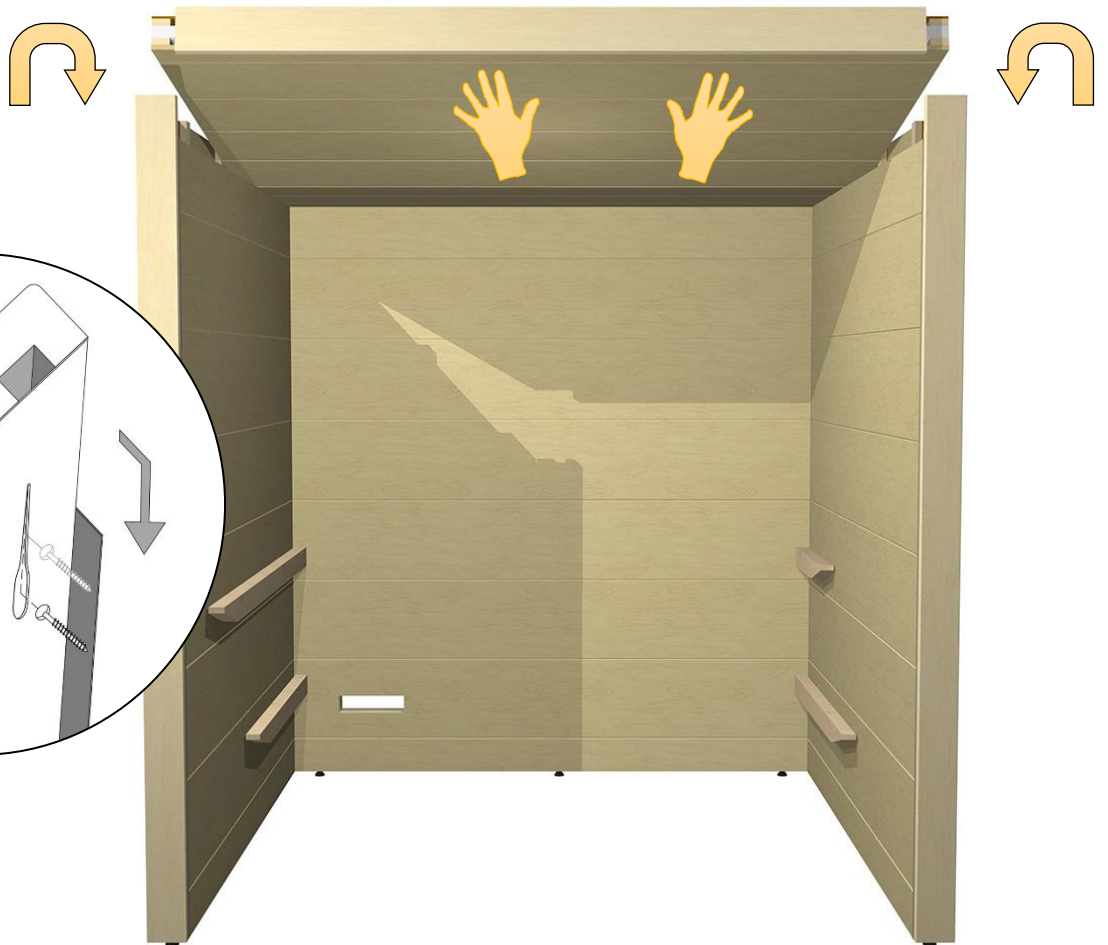


R2 ↓



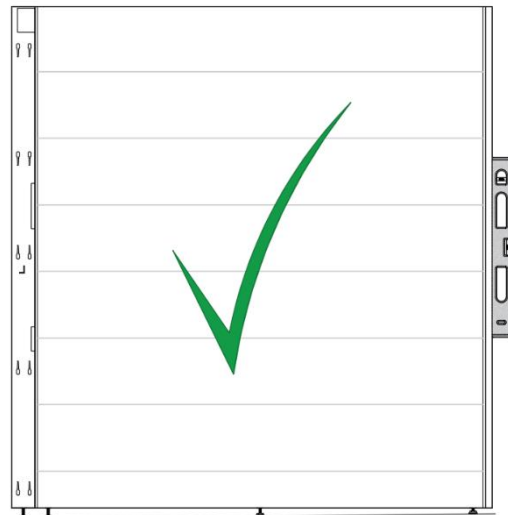
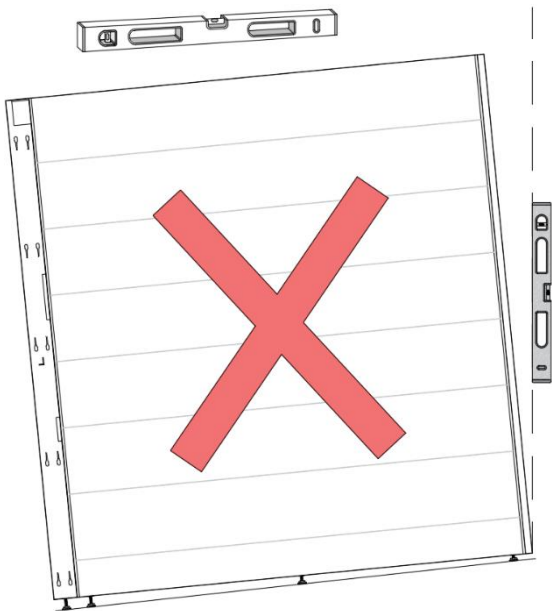
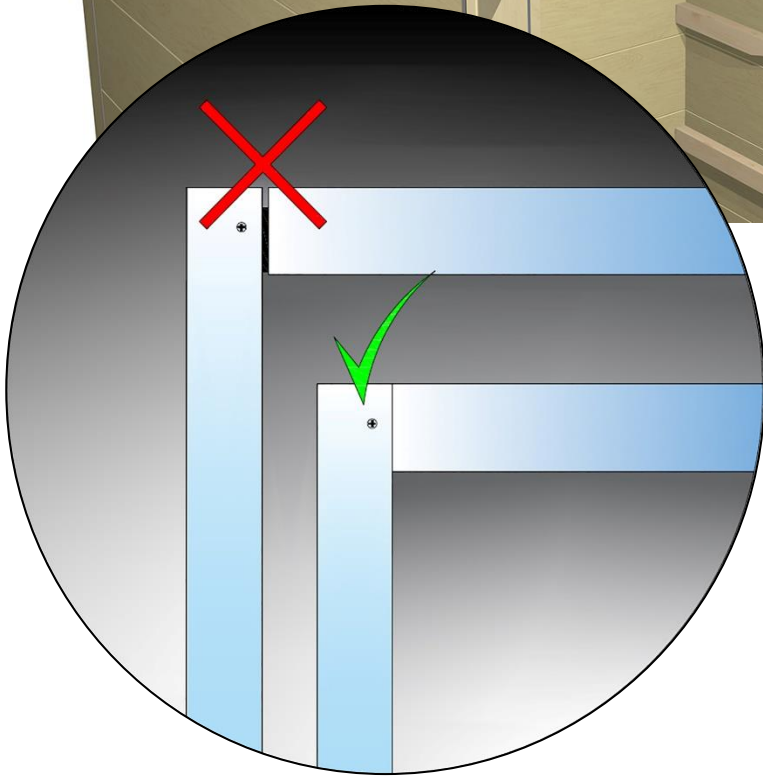
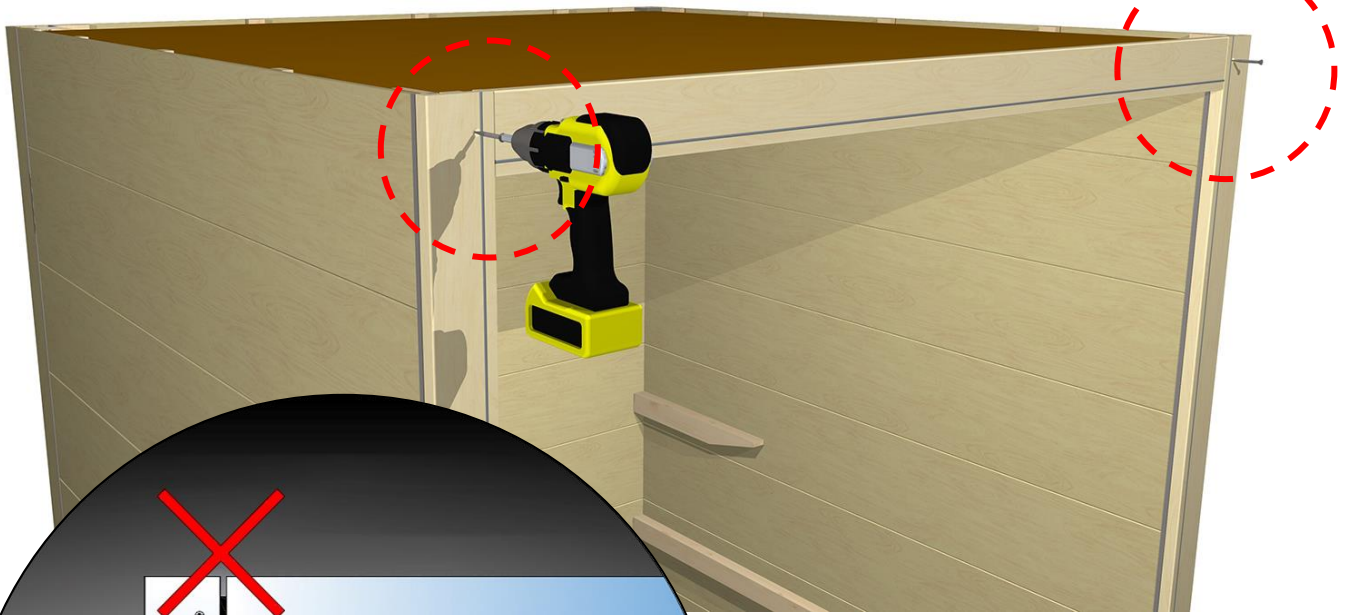
L = LEFT

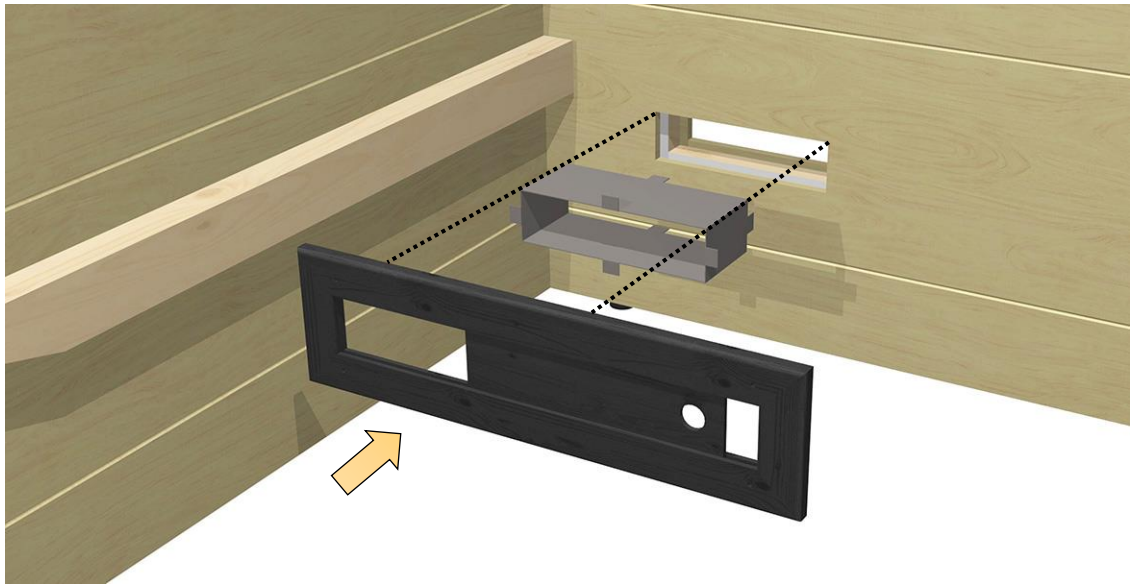
8  
R = RIGHT



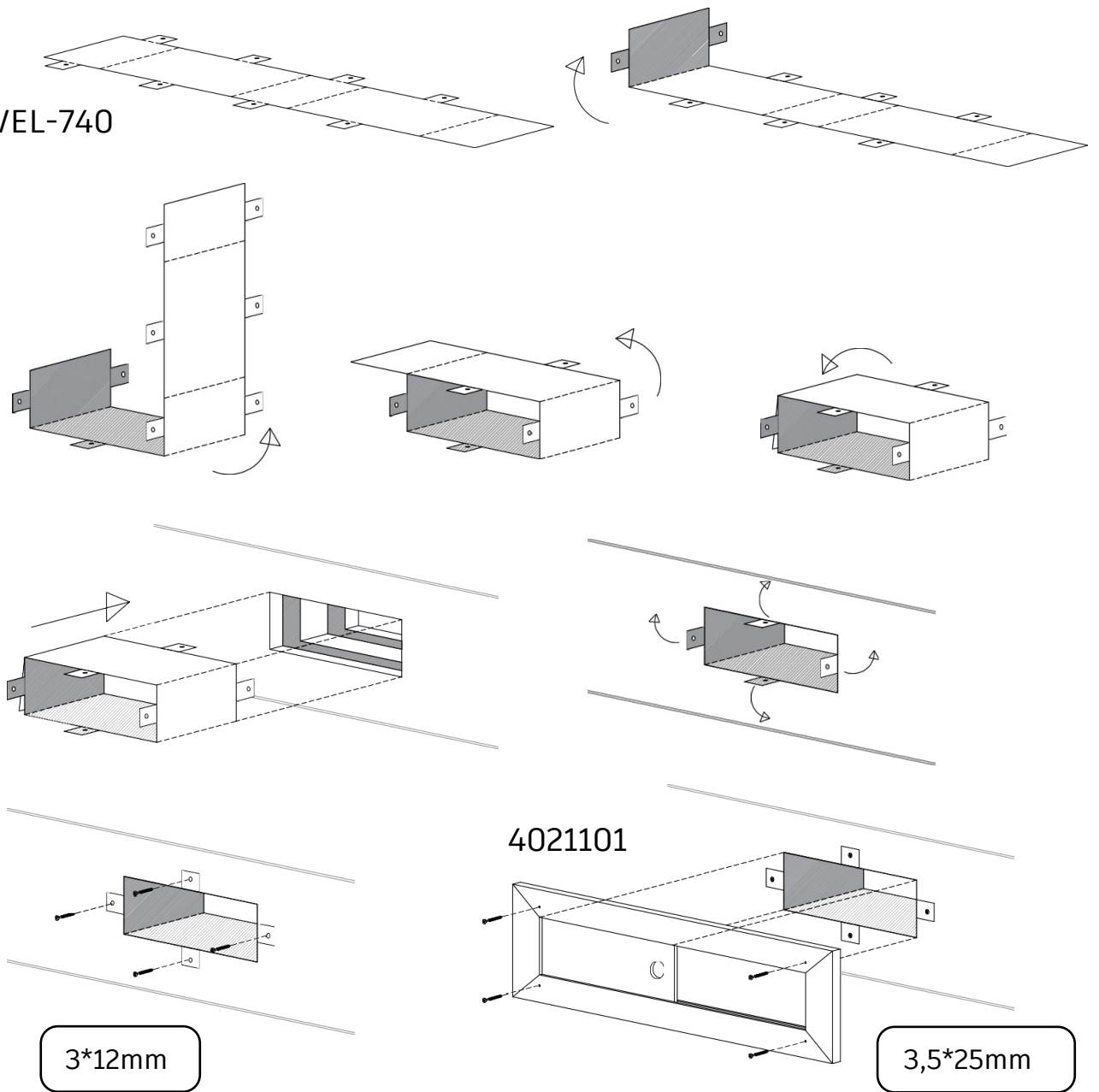


4,5\*60mm

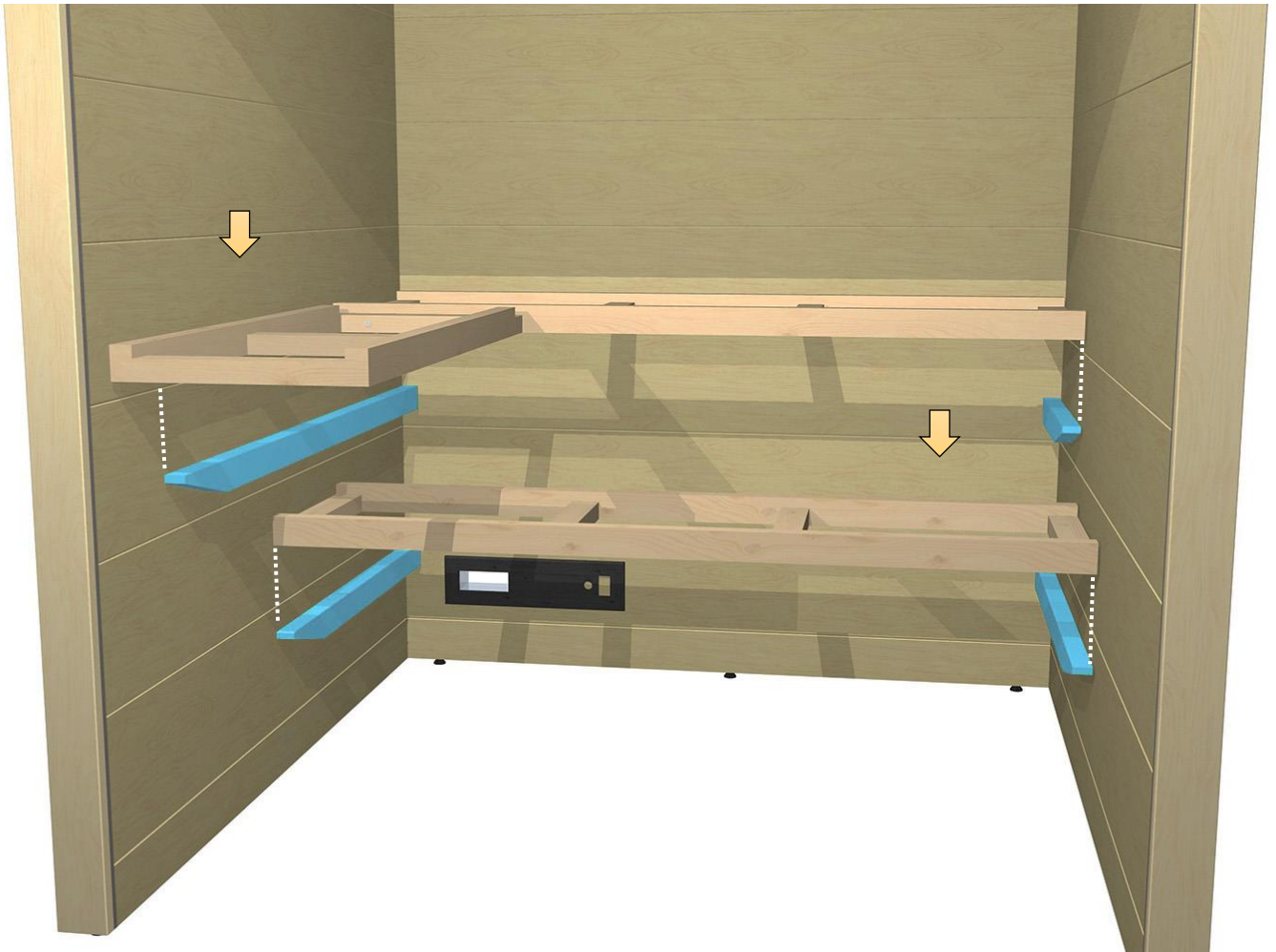
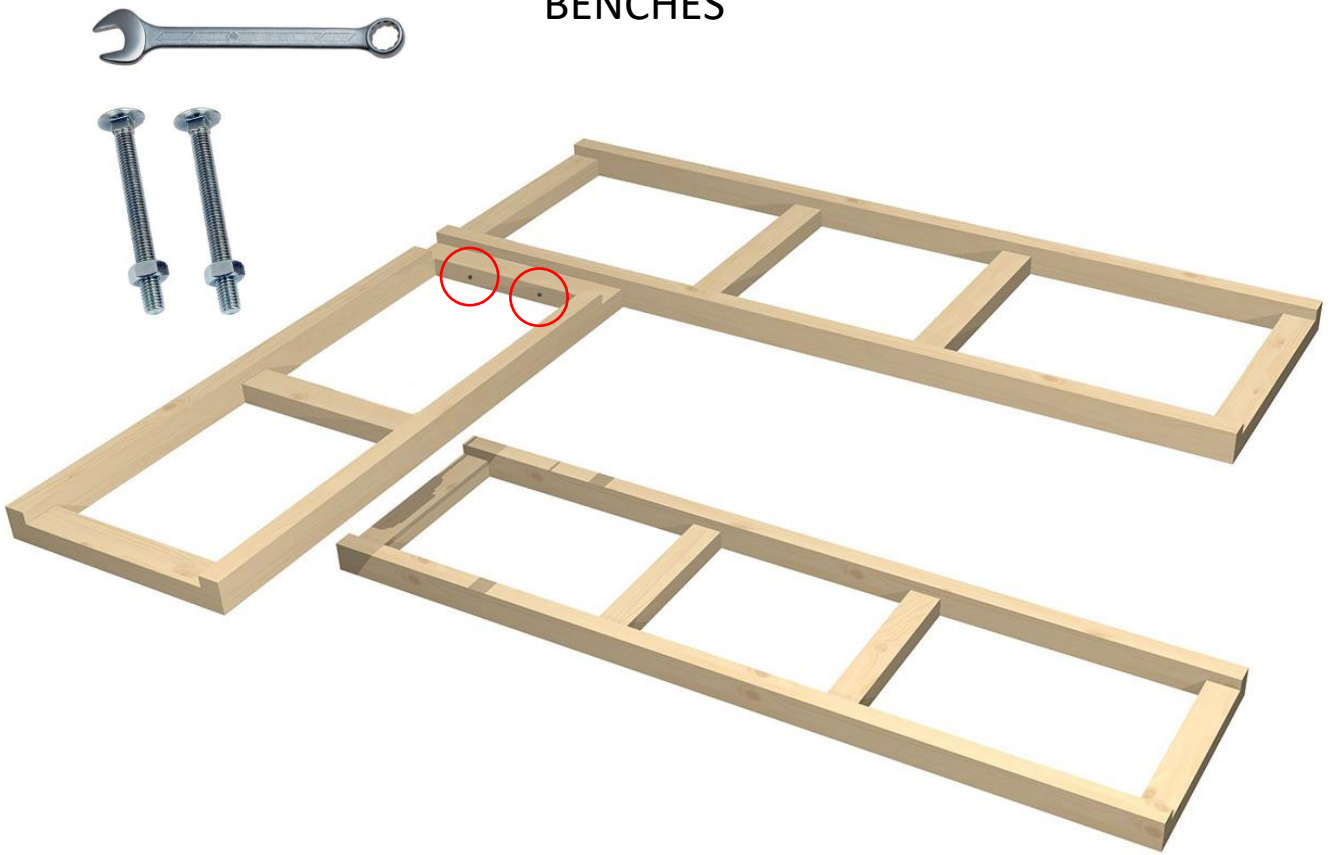


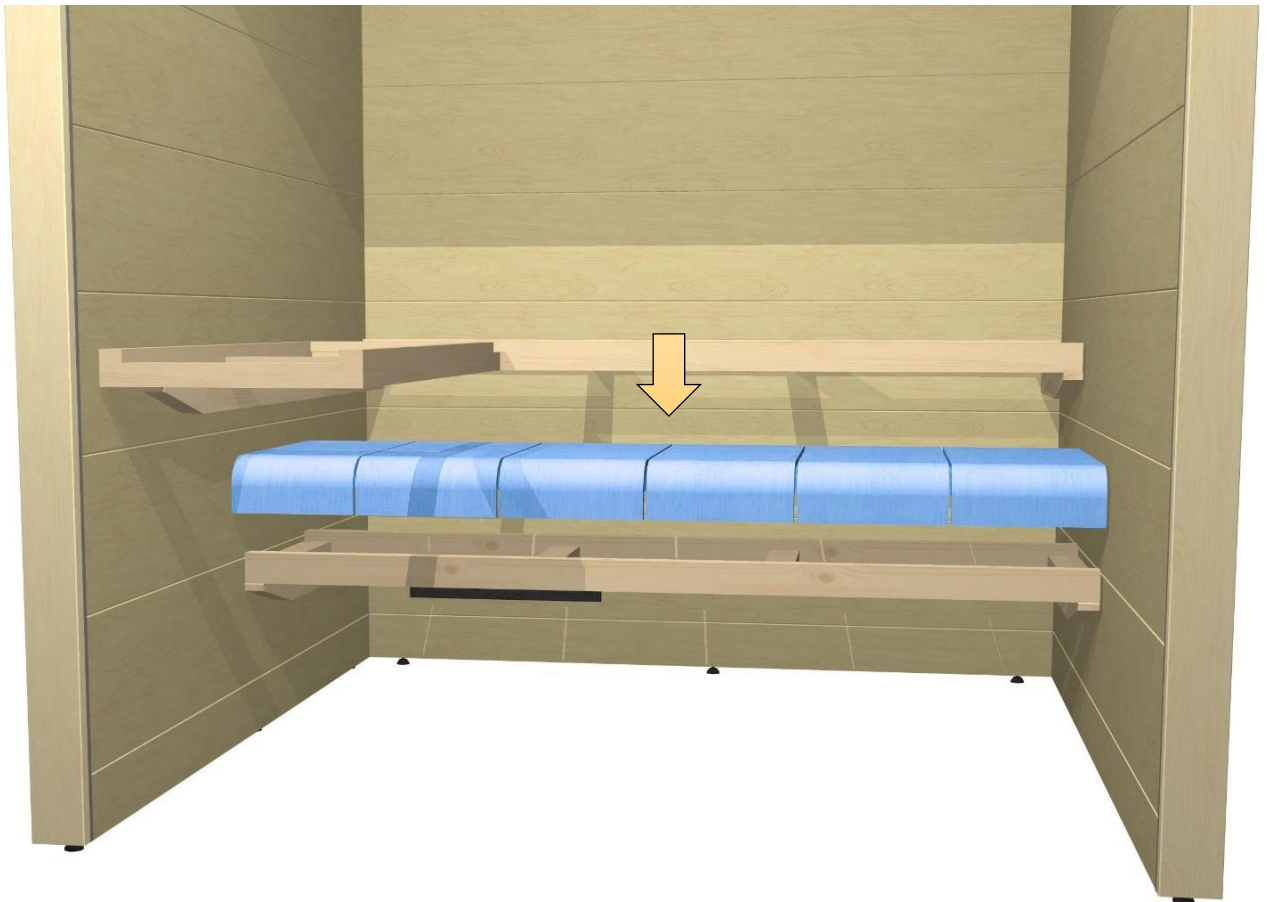
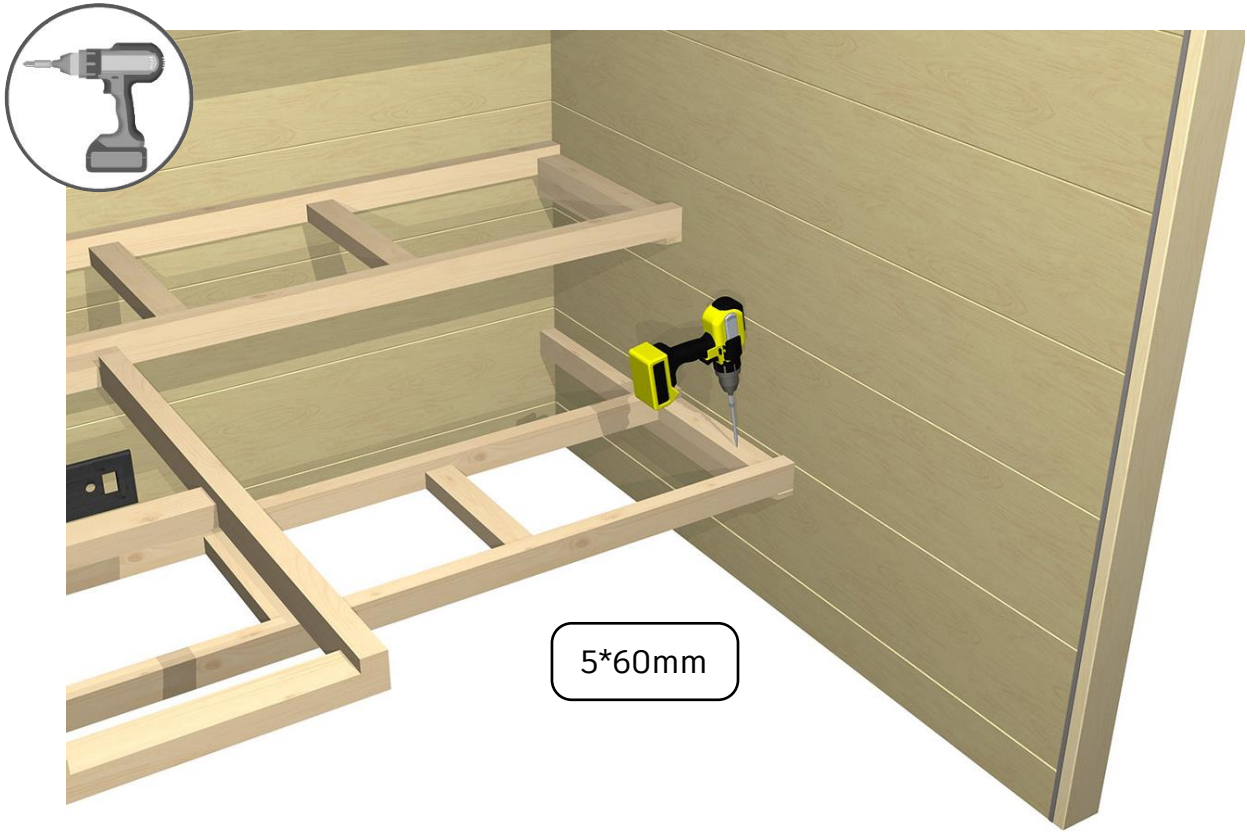


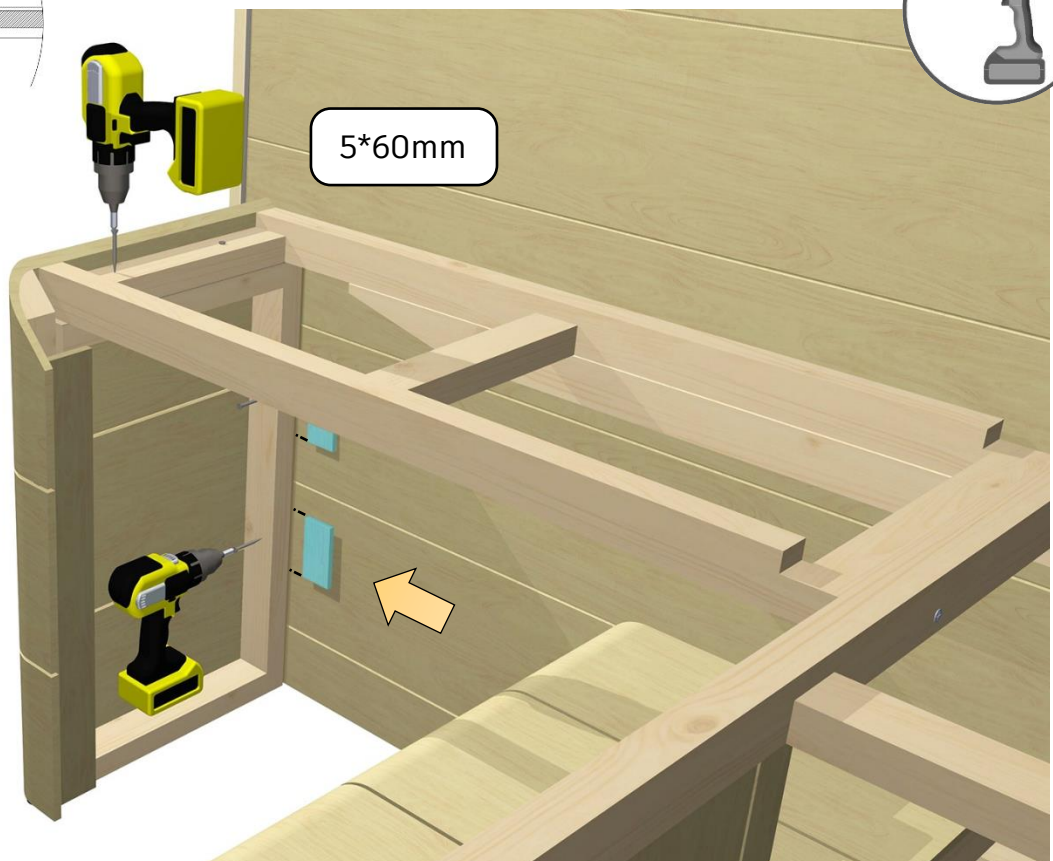
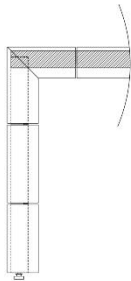
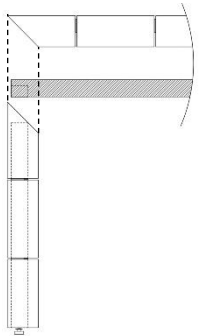
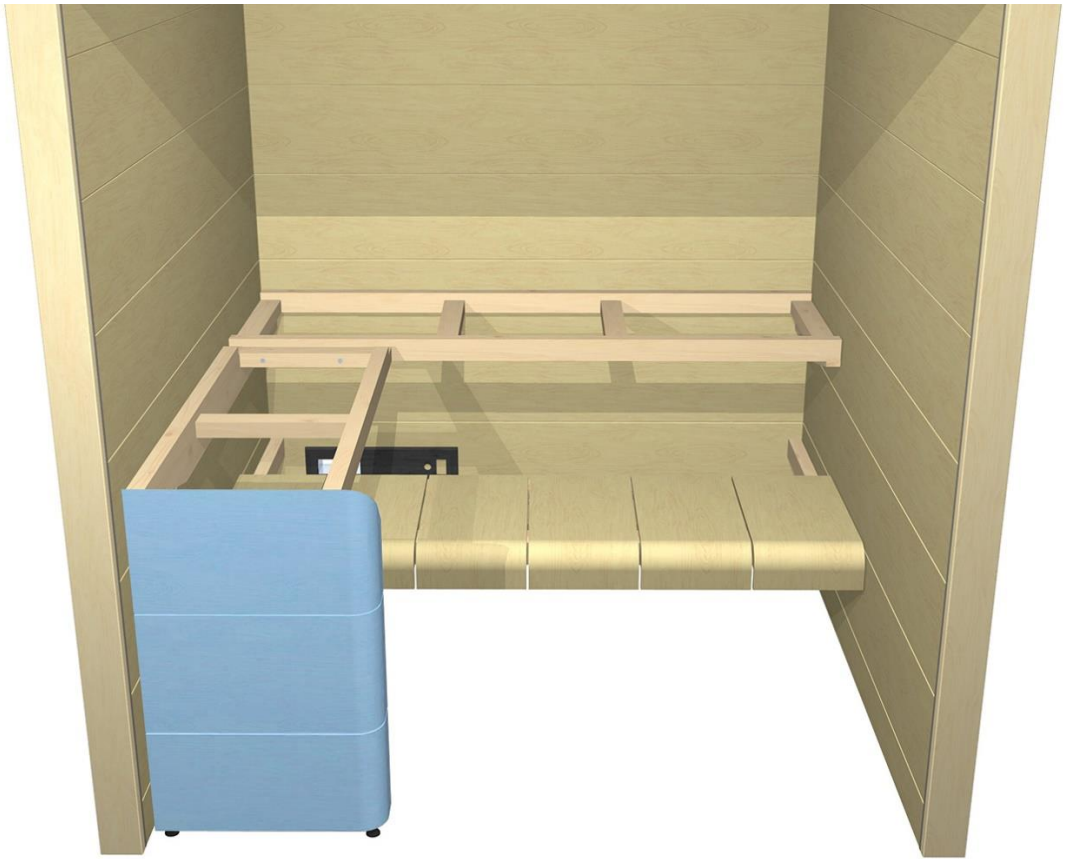
ZVEL-740

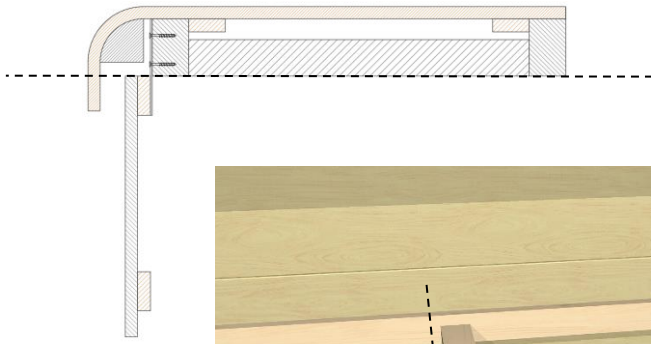


# BENCHES

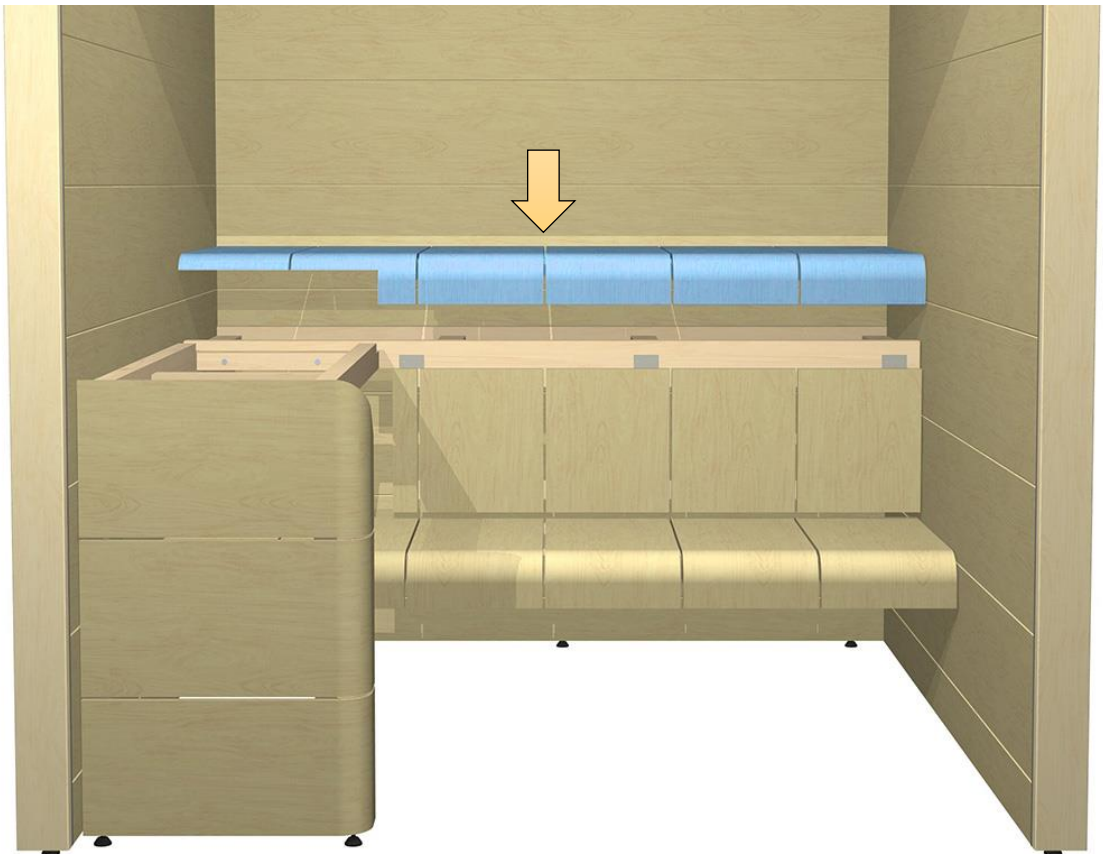
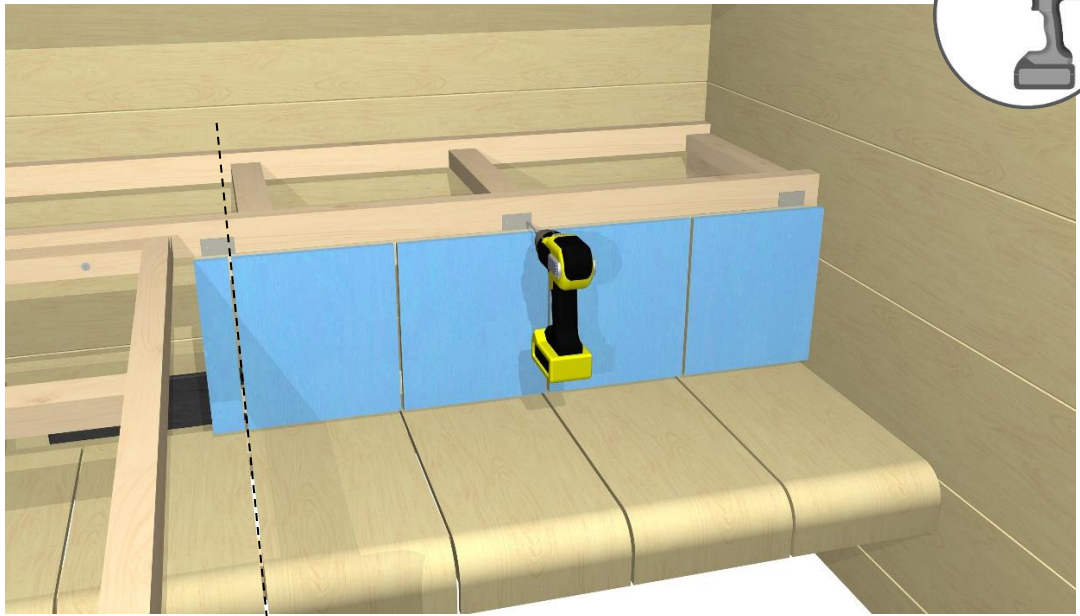


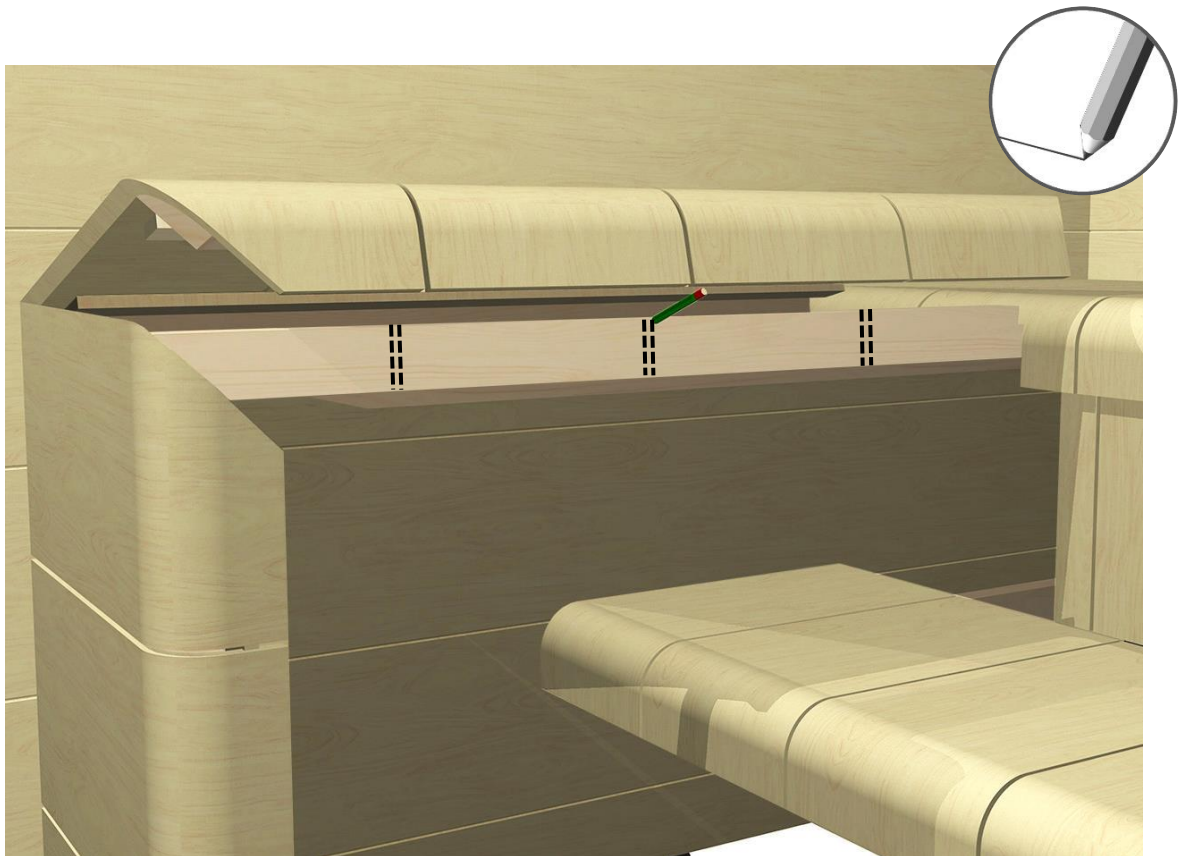
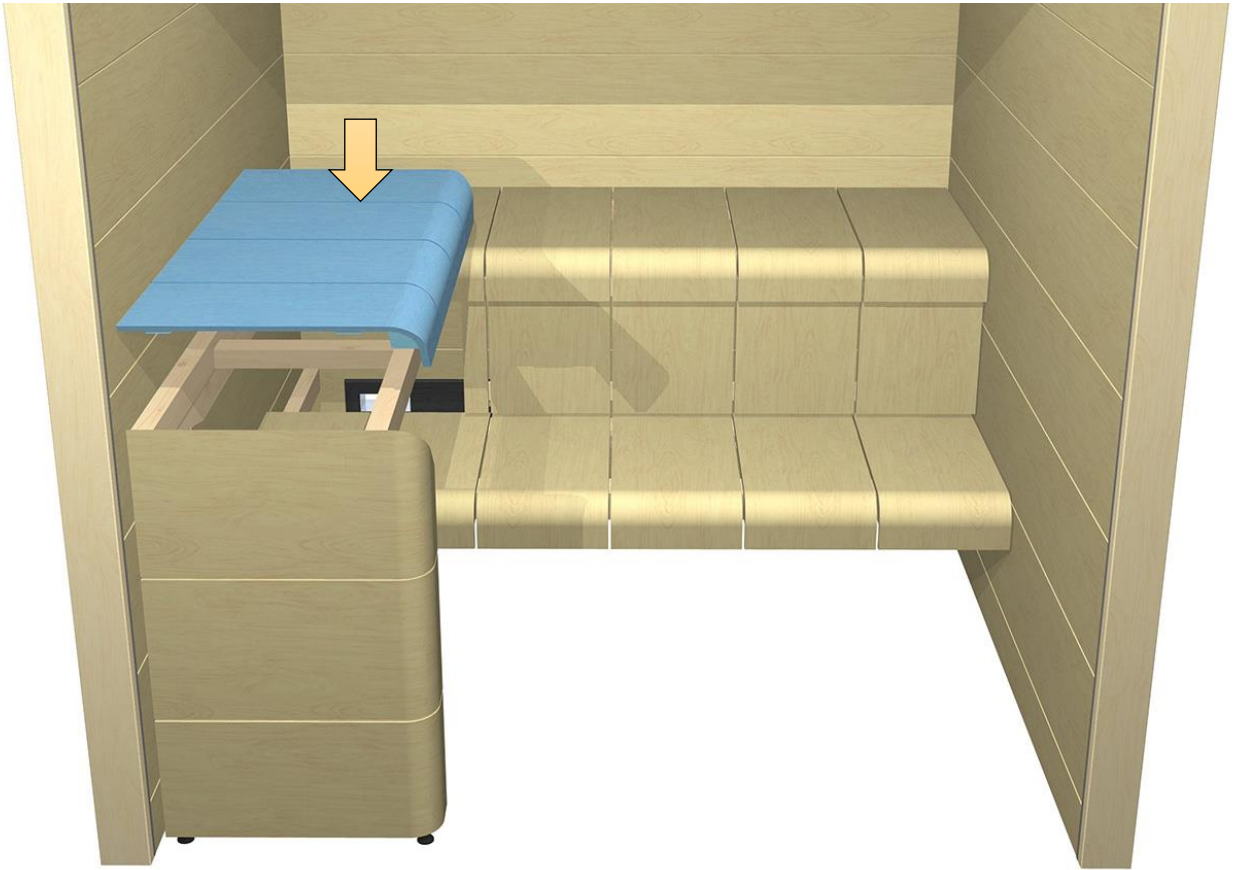


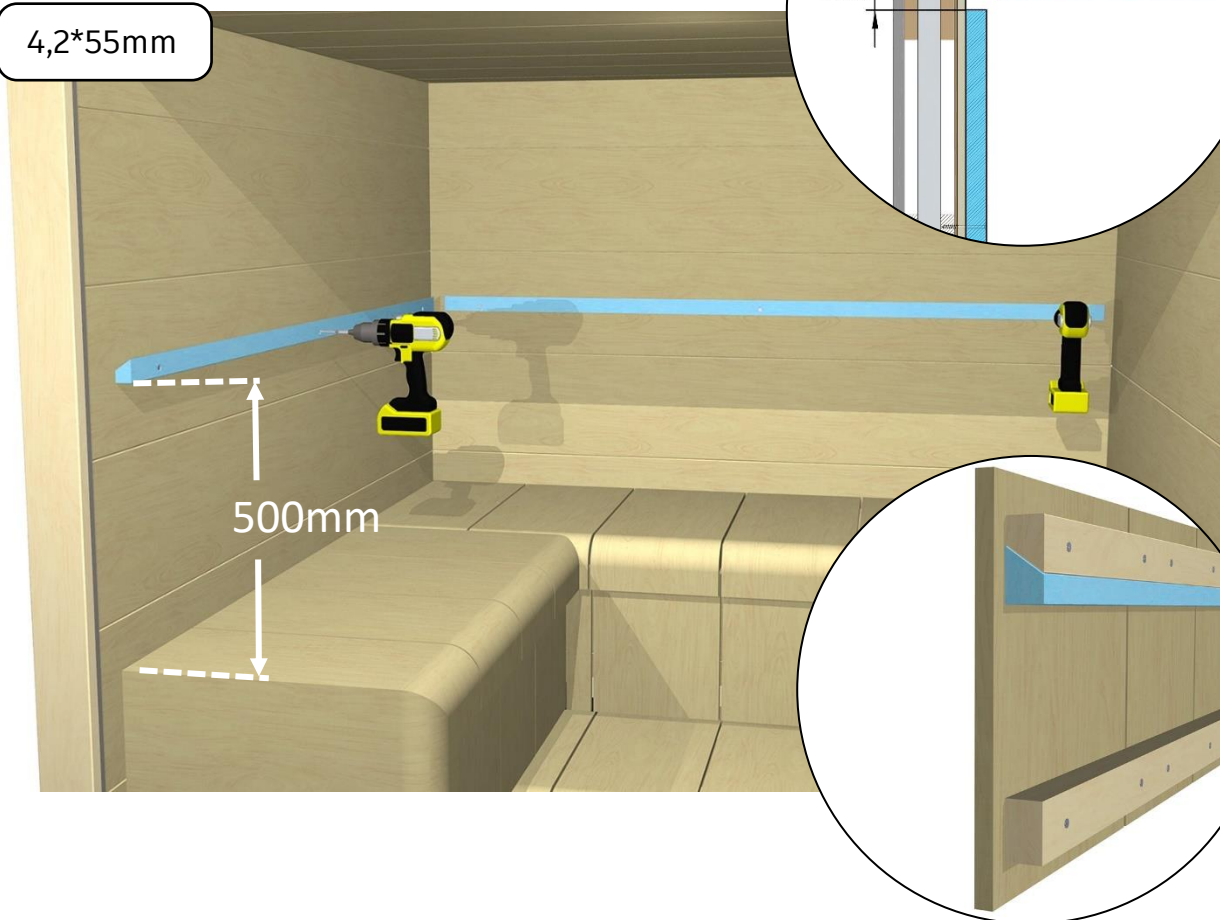
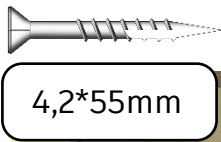
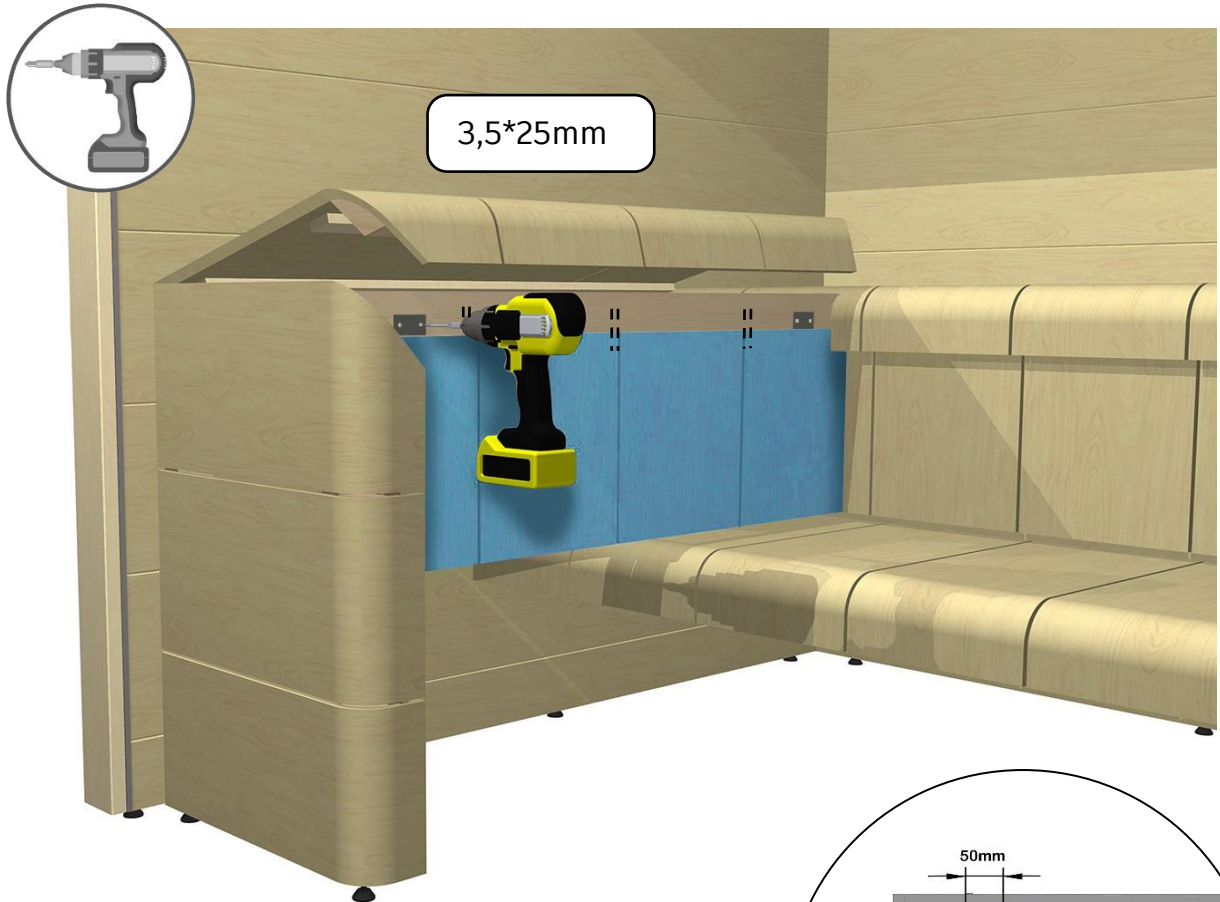




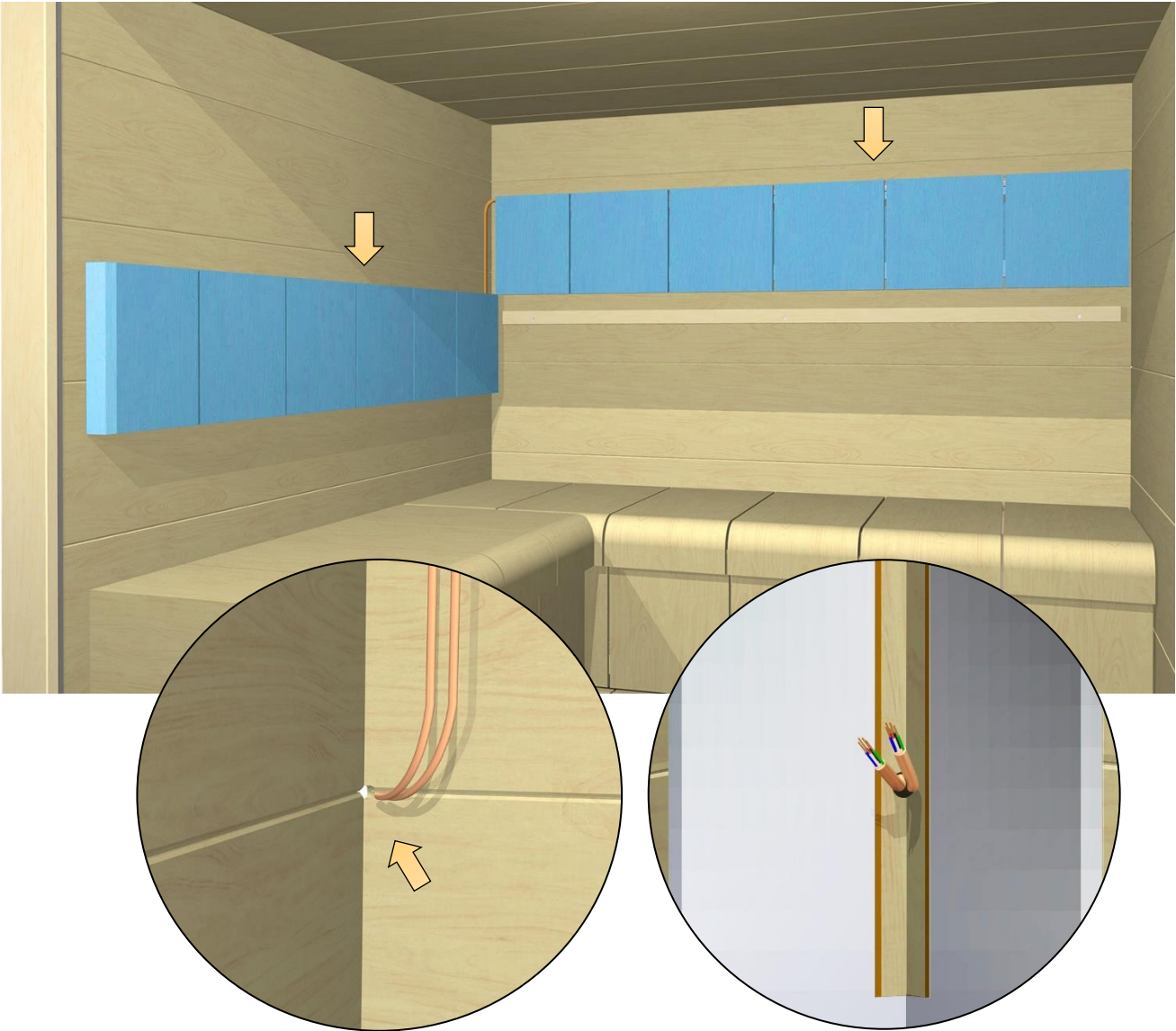
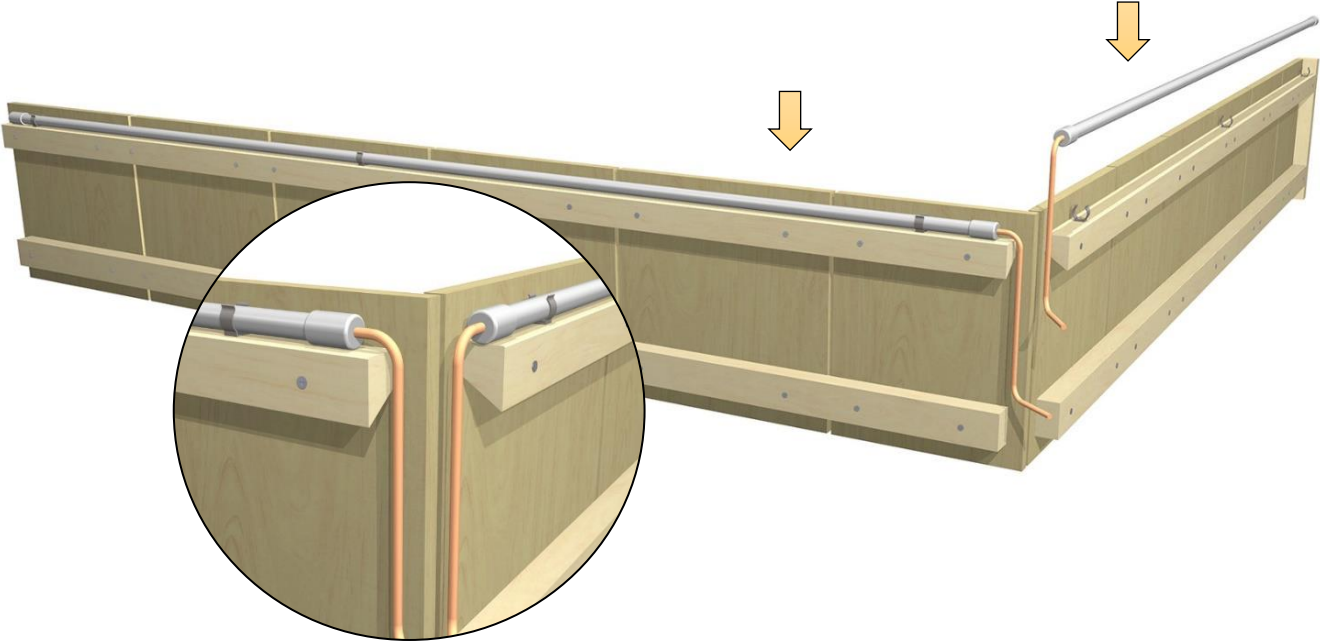
3,5\*25mm

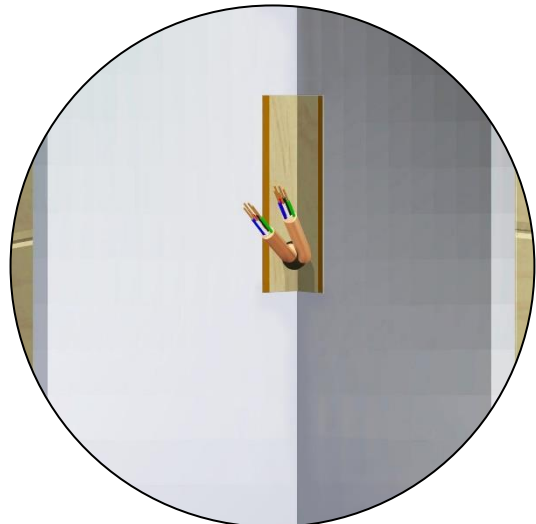
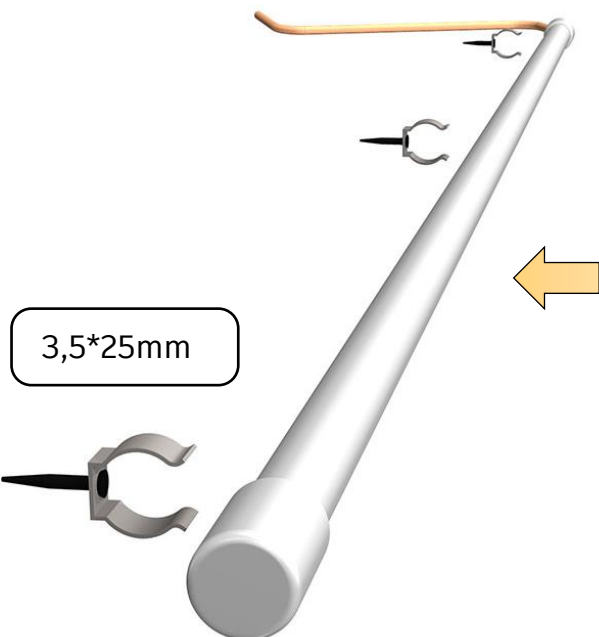
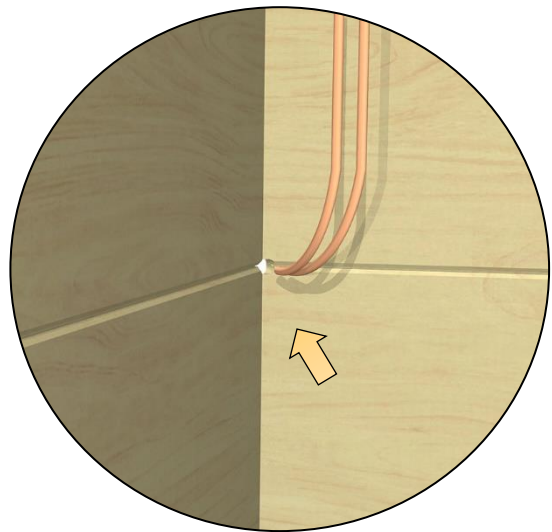
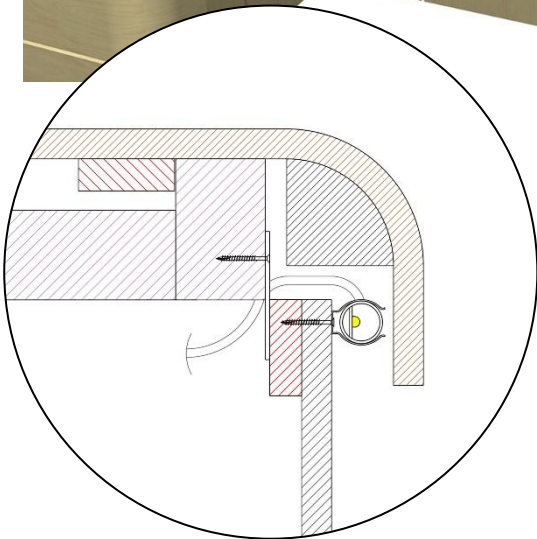
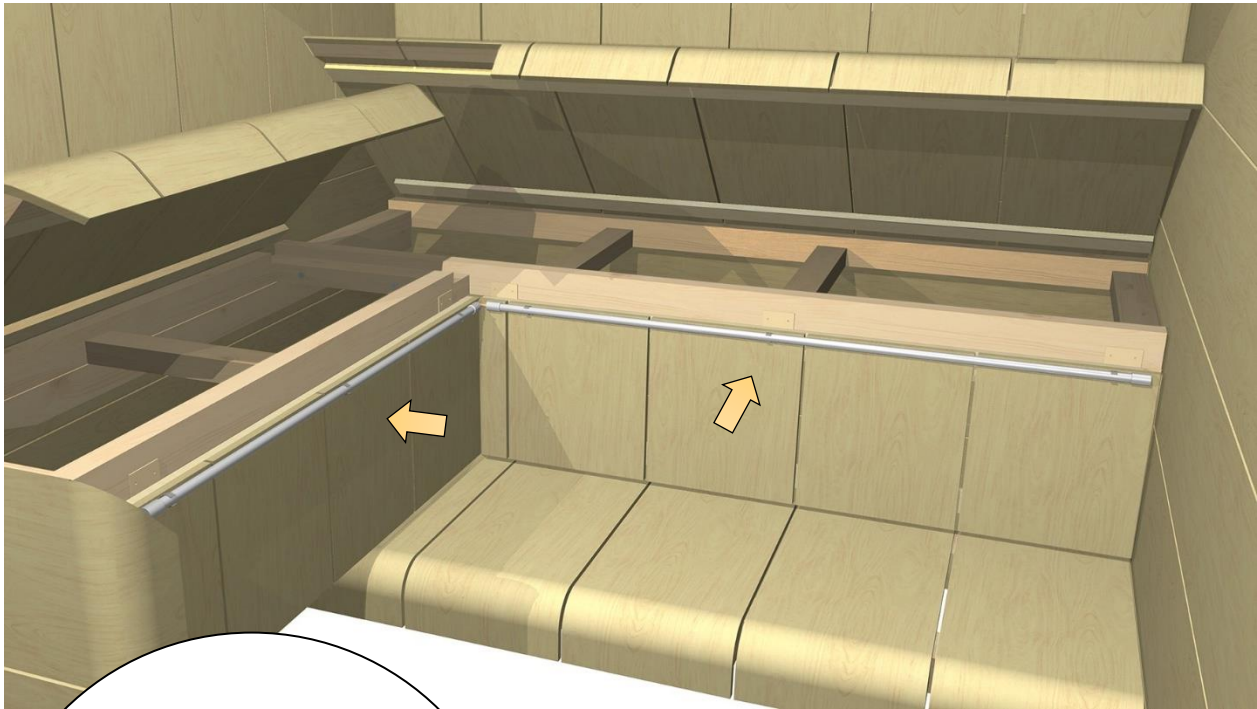




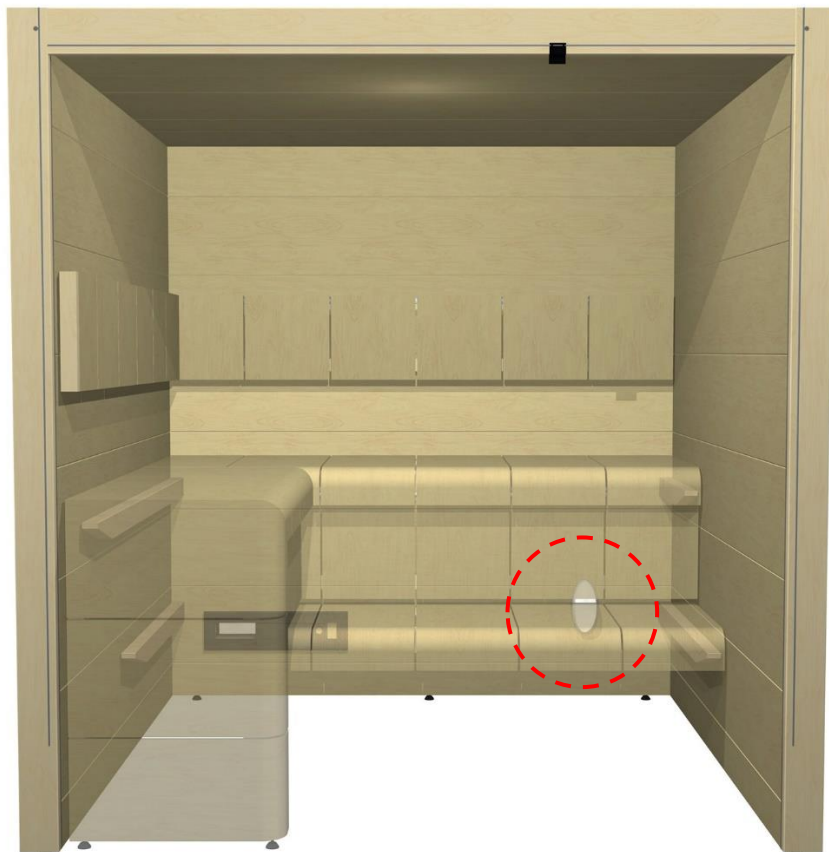
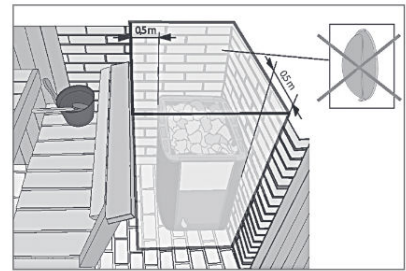
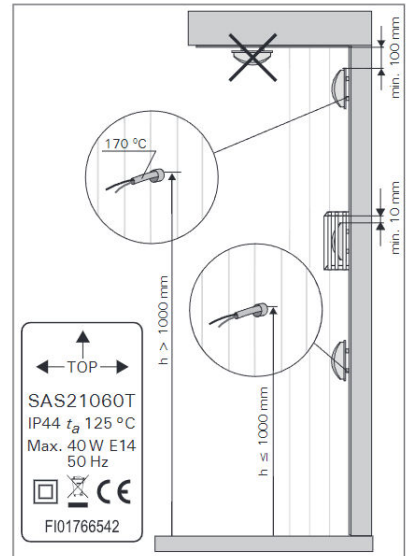
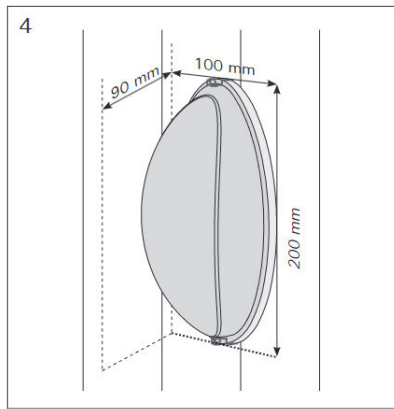
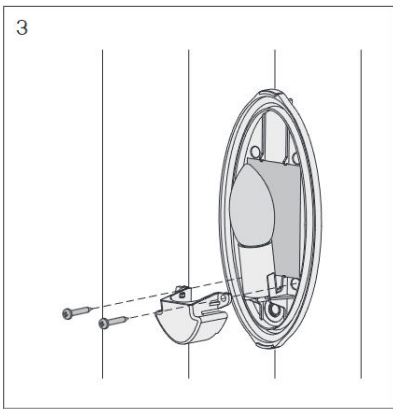
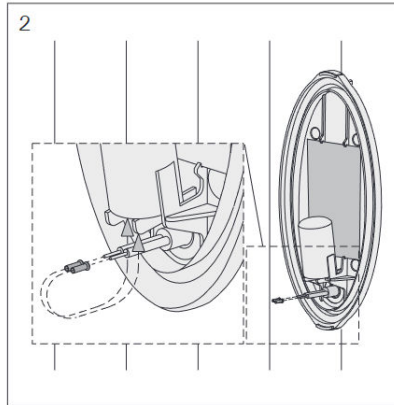
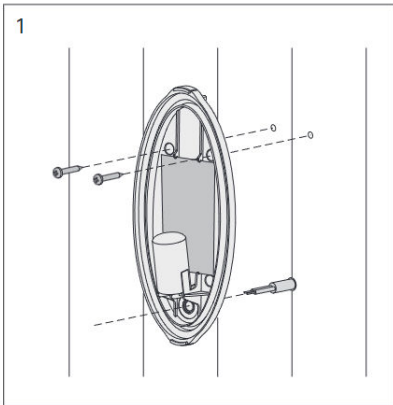


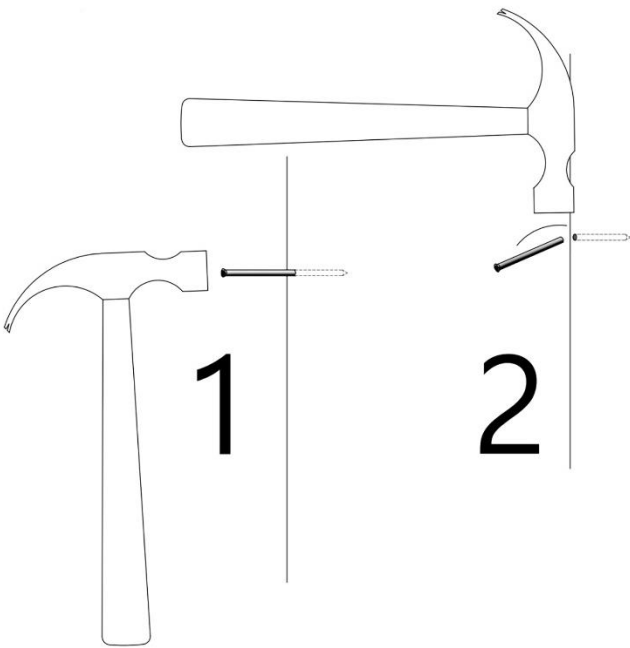
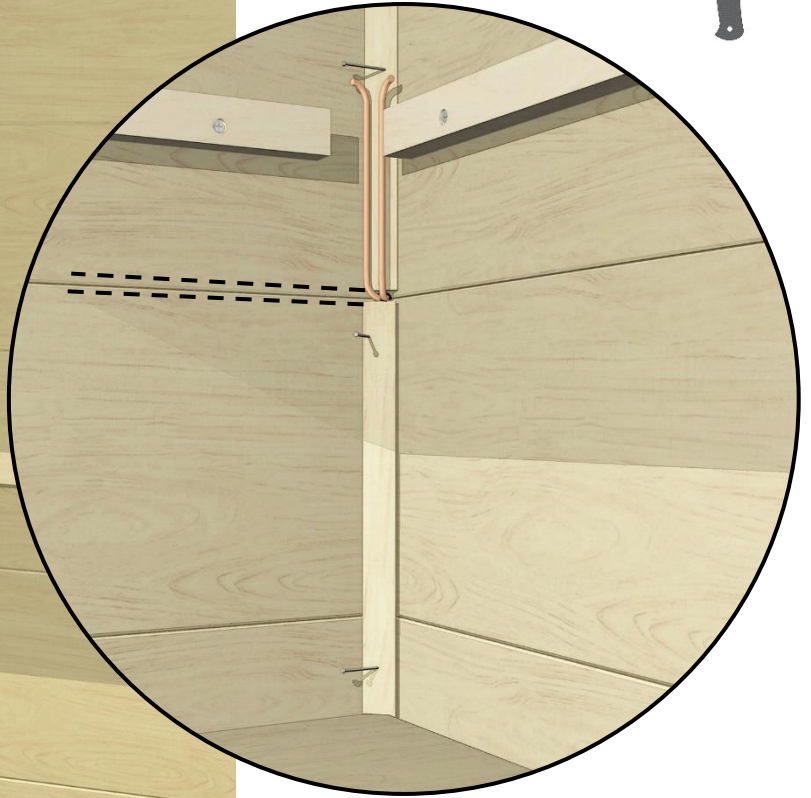
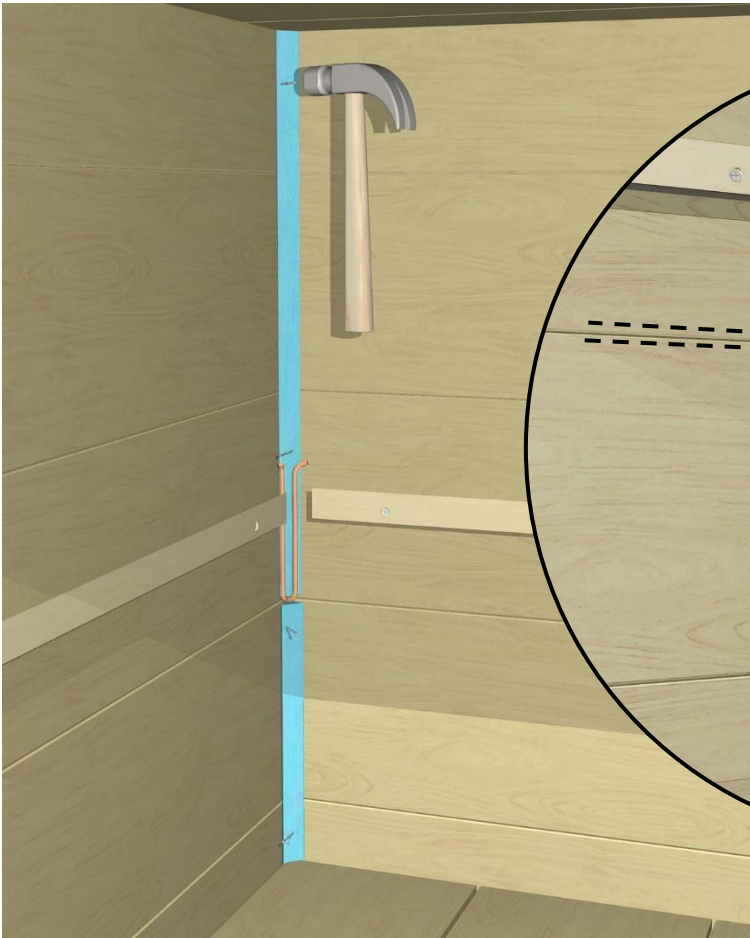




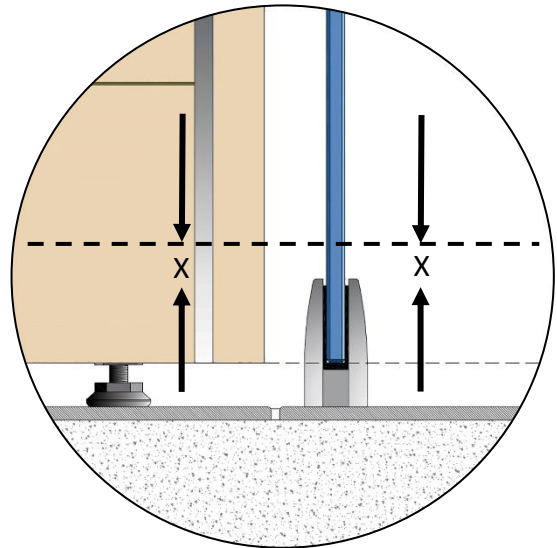
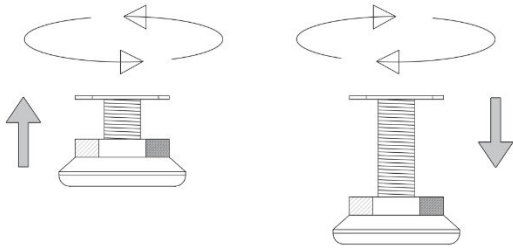
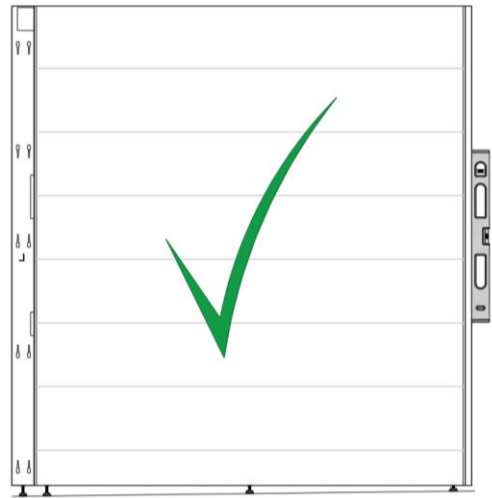
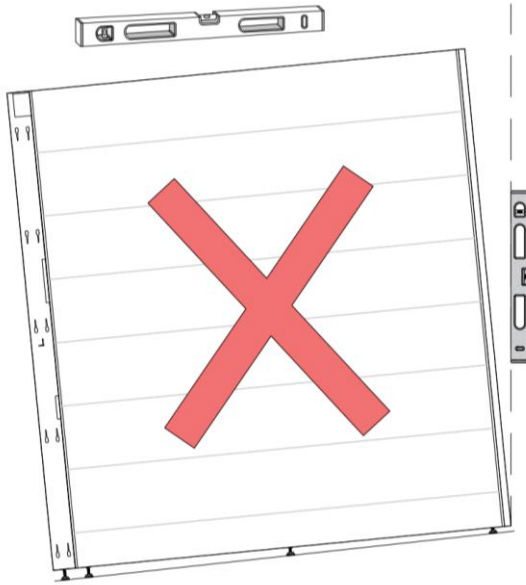


# SAS21060T





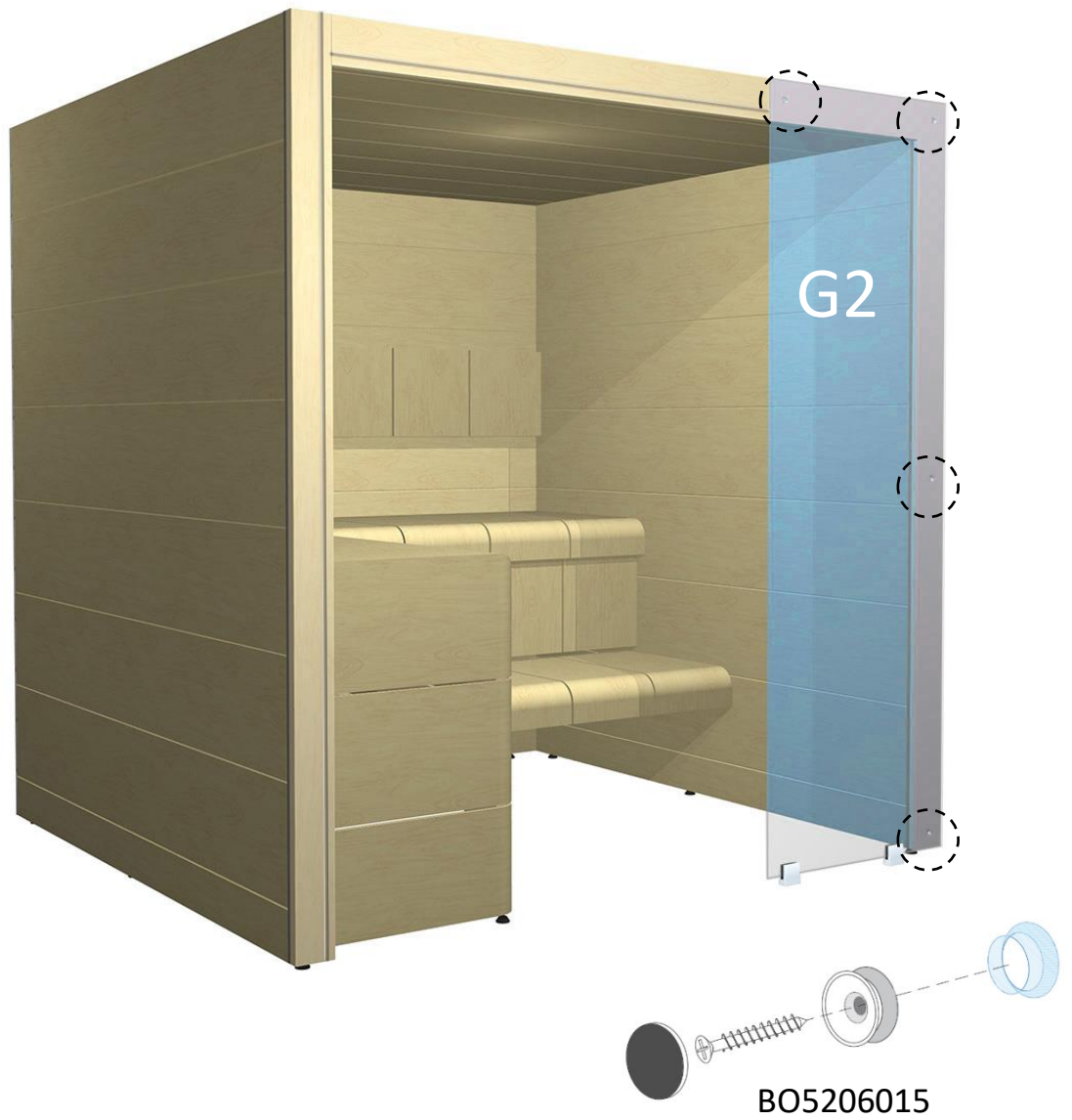
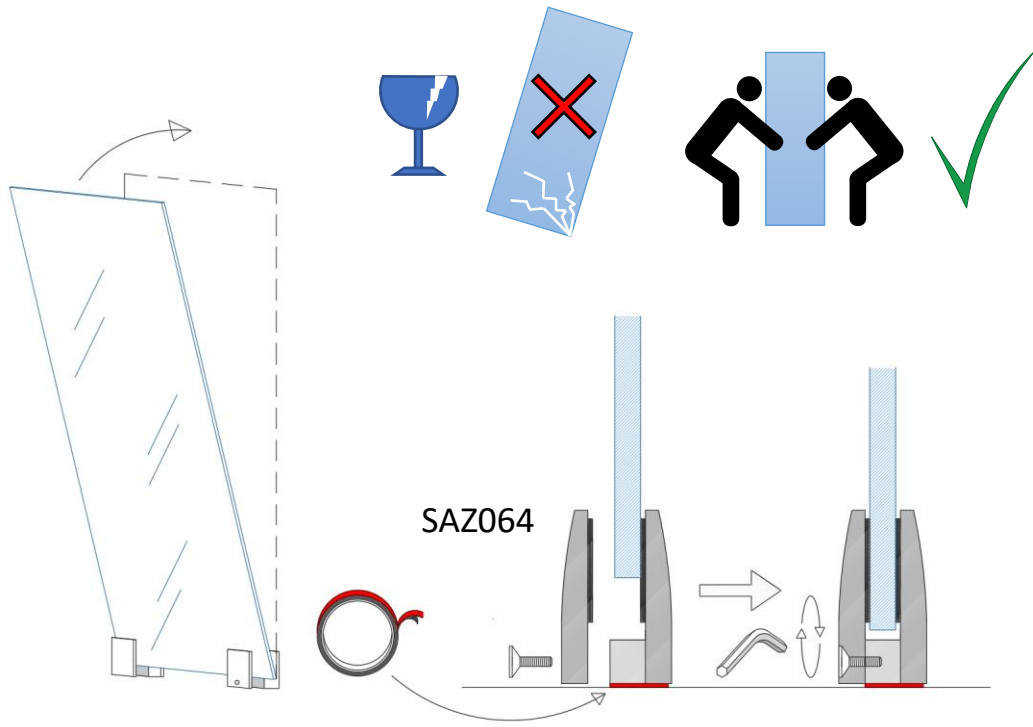
# POSITION



X = min 17mm – max 40mm



# GLASS FRONT





ZVEL-501

3,5\*25mm

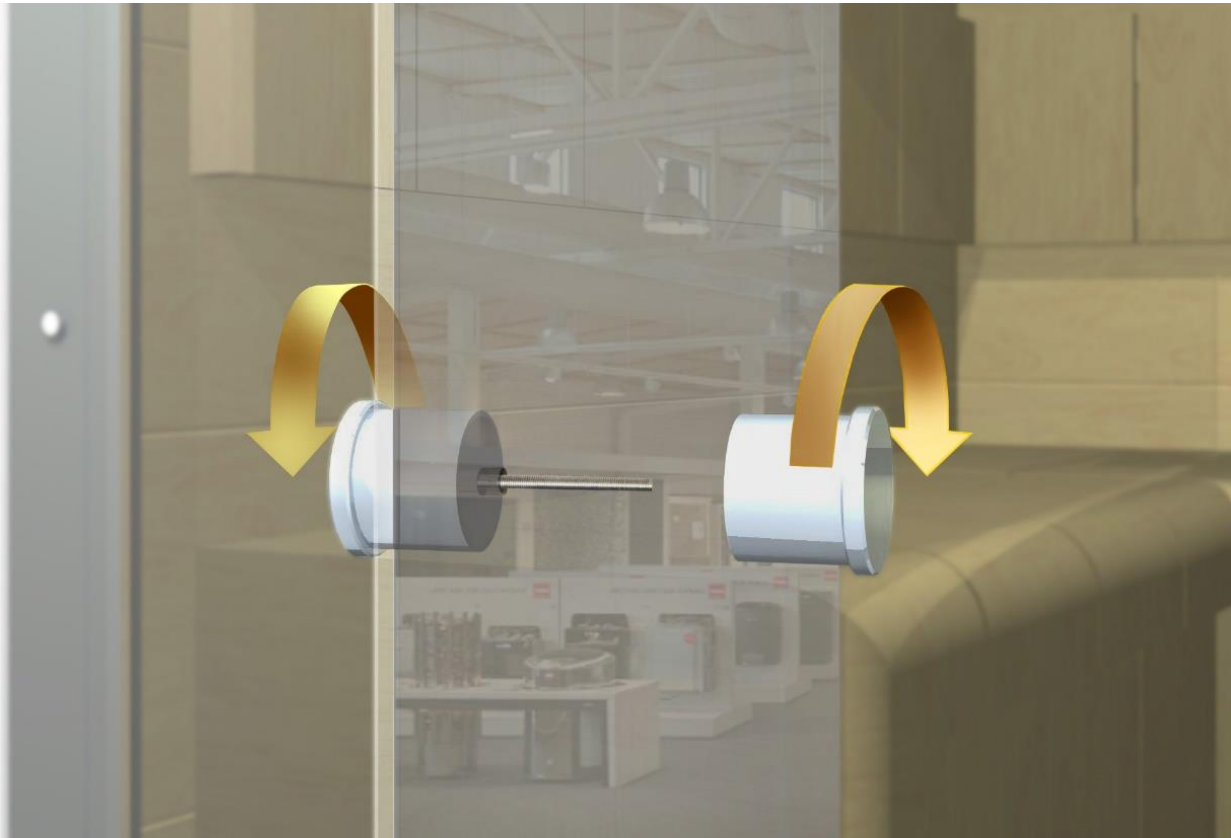
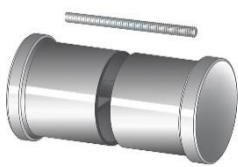




SAZ0602

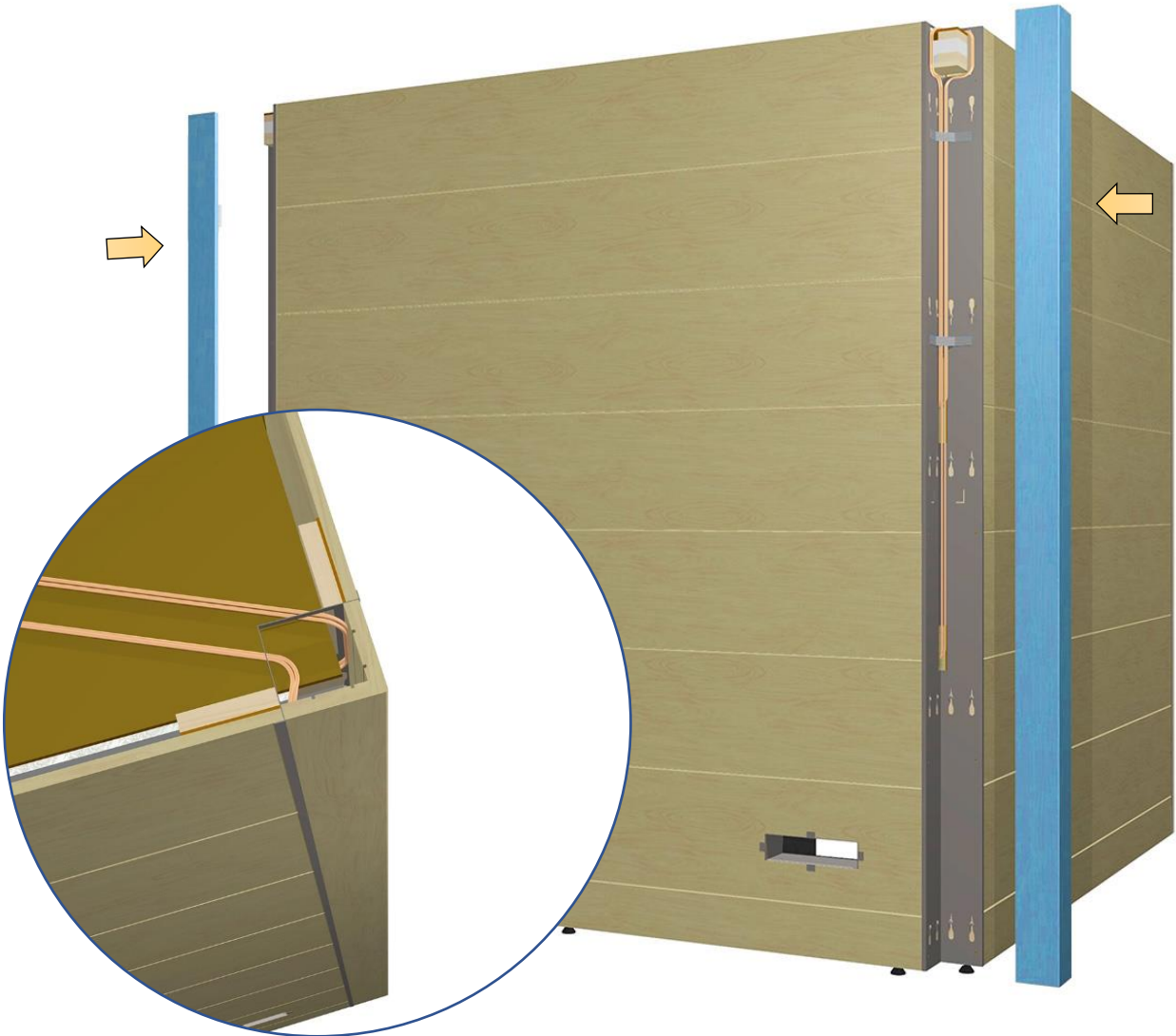
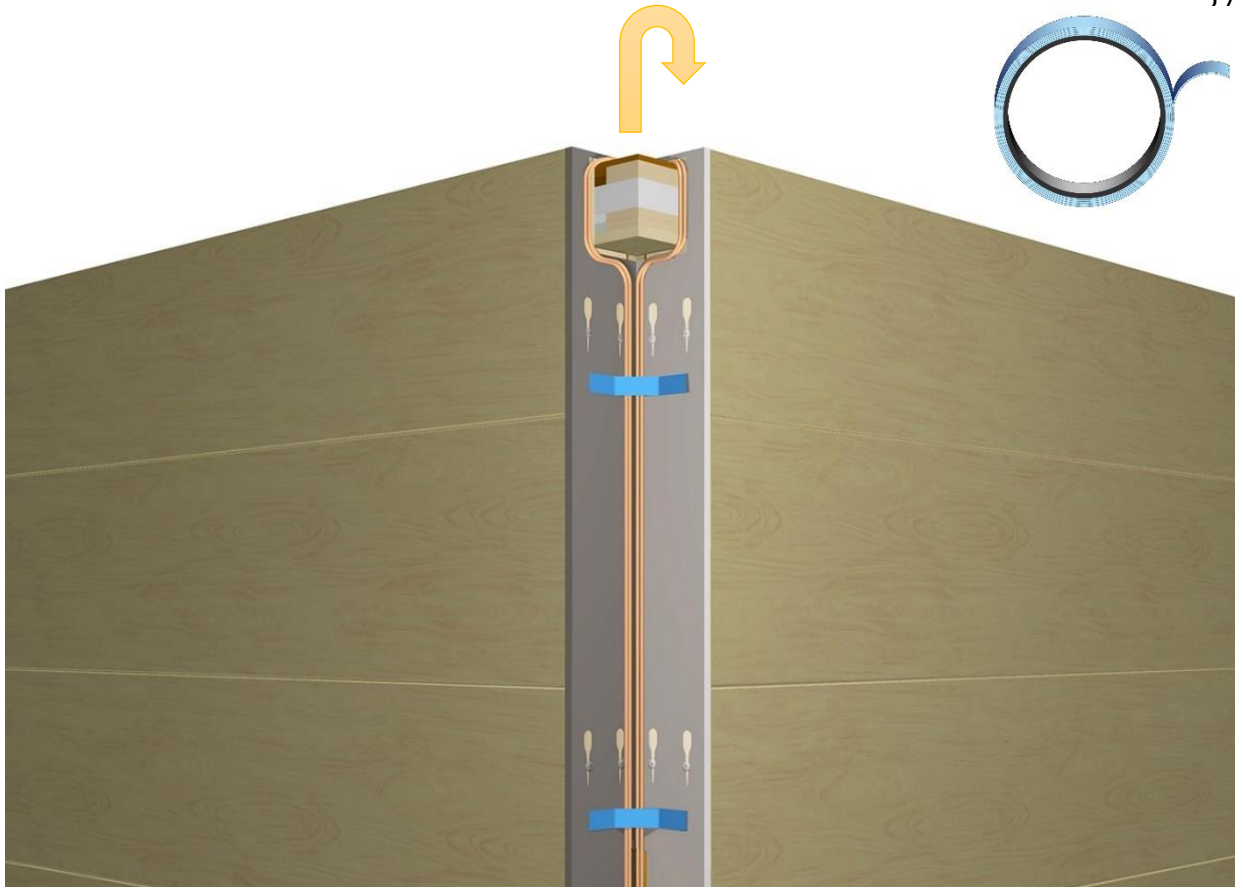


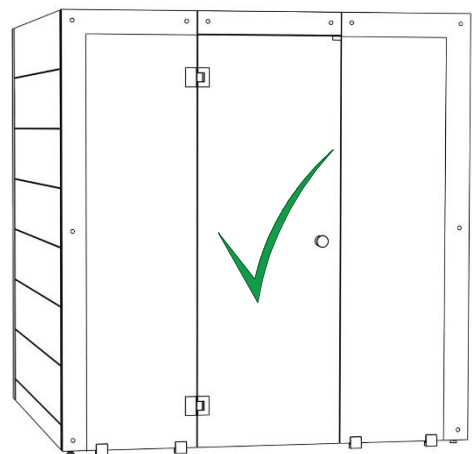
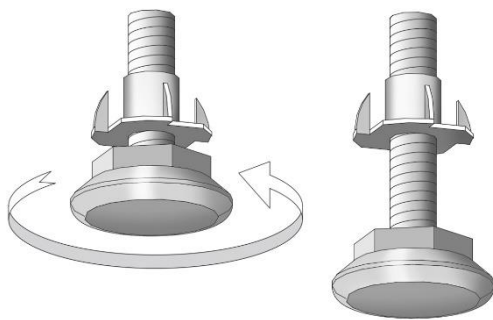
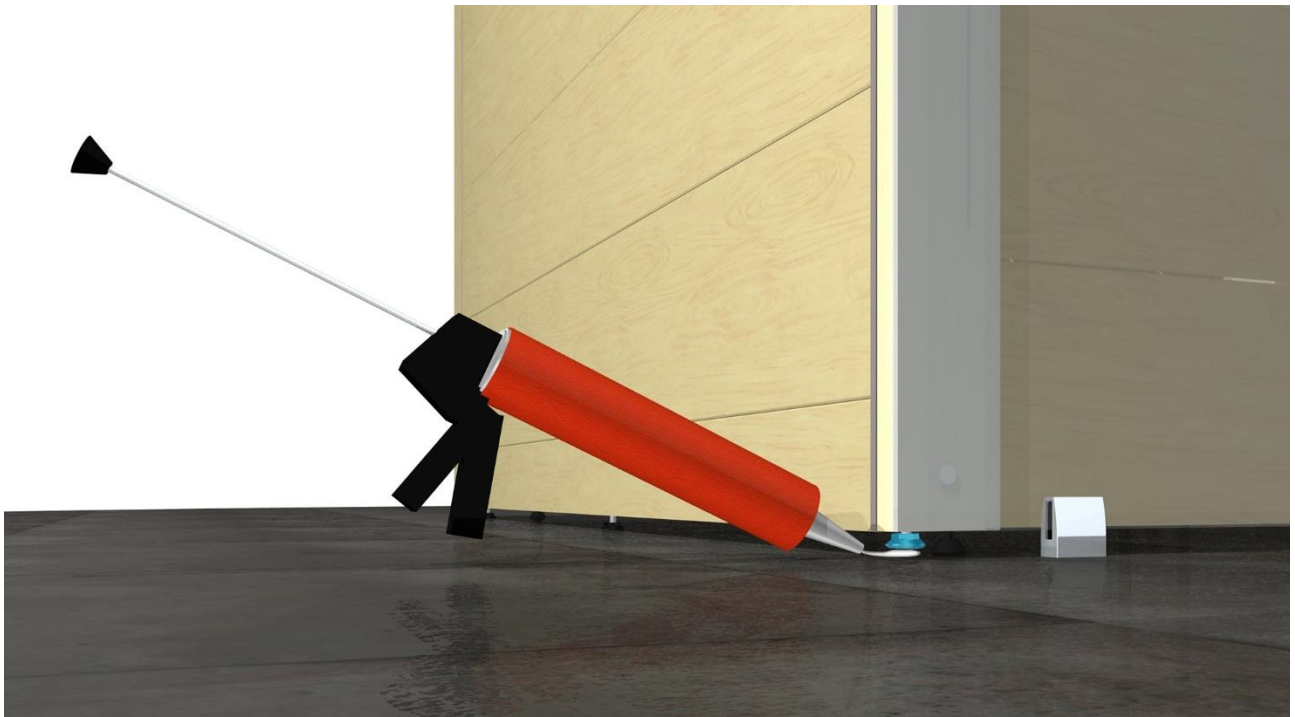
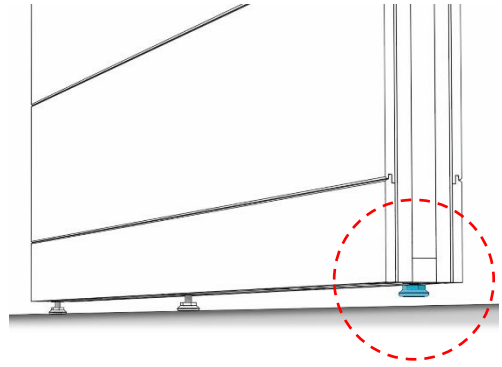
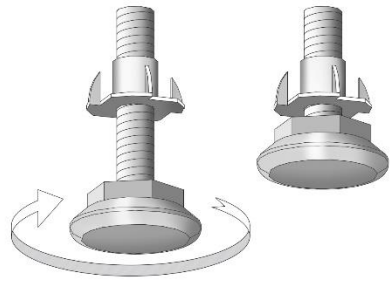
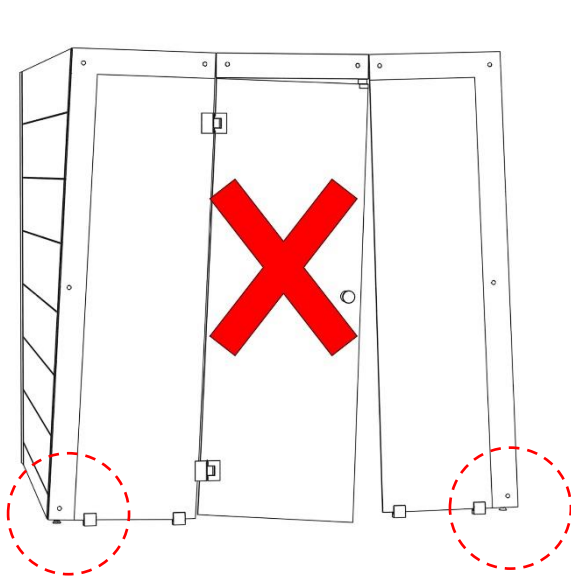
KT021  
SAZ045



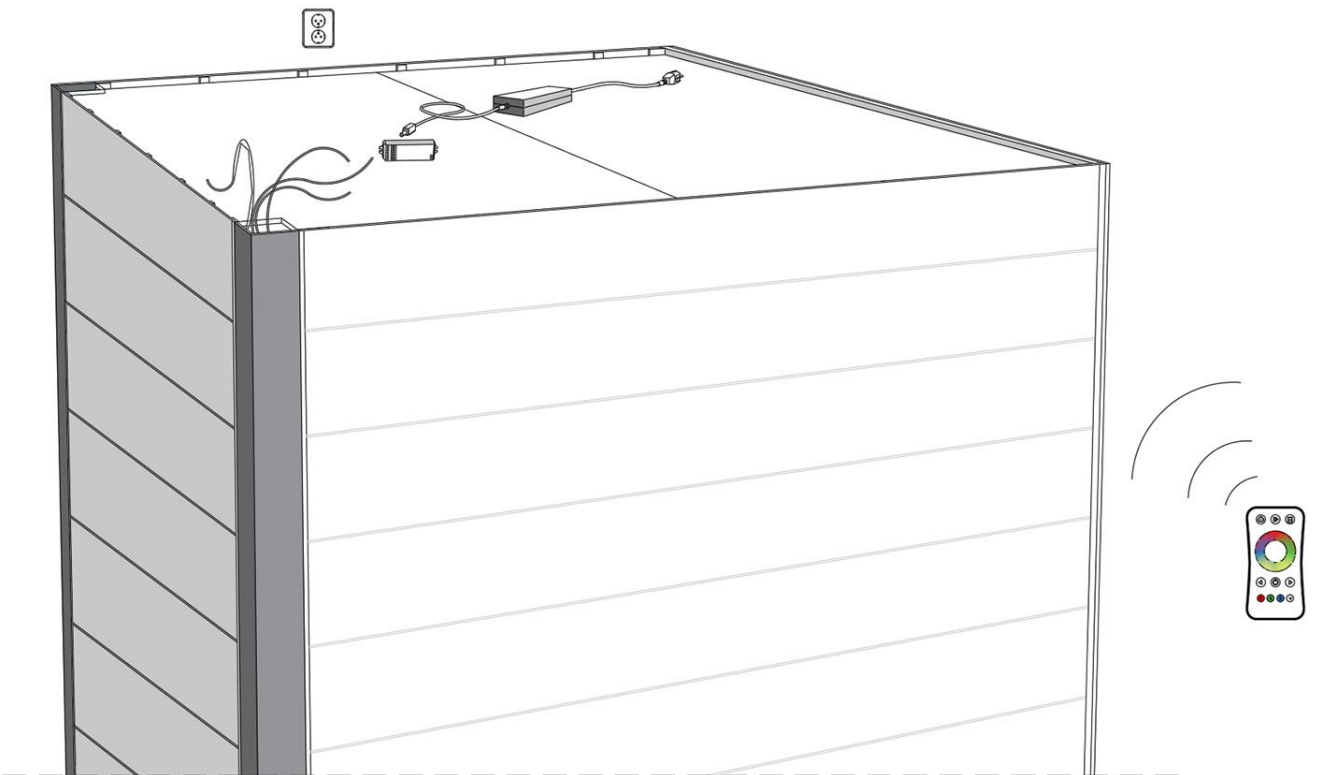
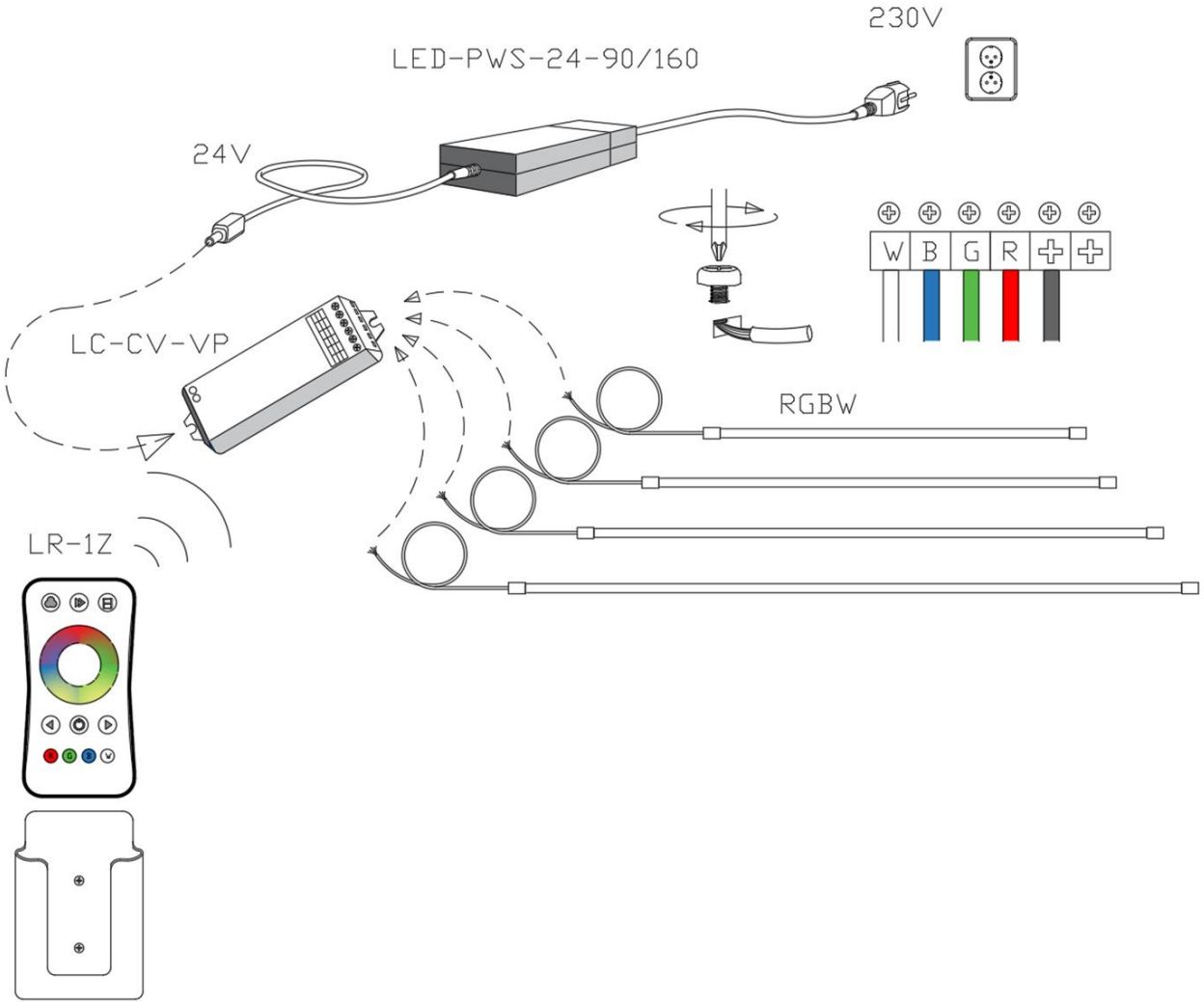
SAZ048KPL  
ZVEL-500







# ELECTRICS



# HEATER

