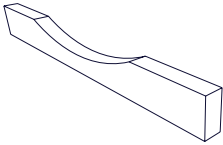
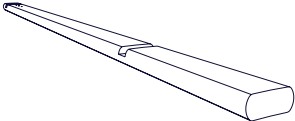
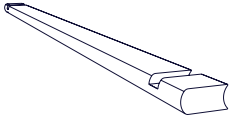
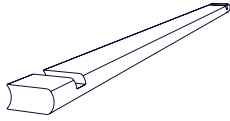
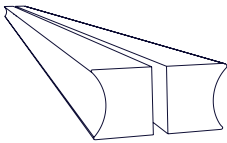
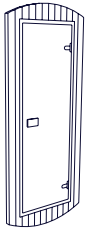
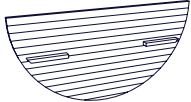
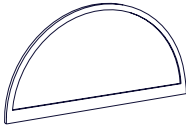
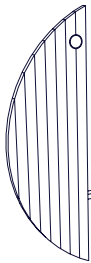
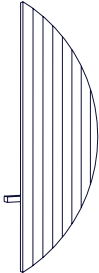
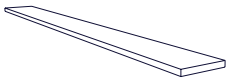
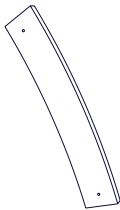
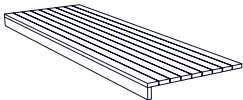
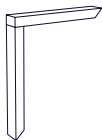
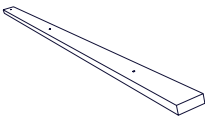
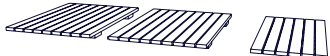


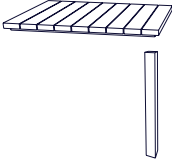

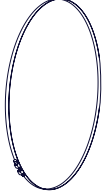
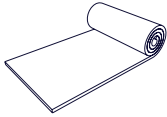
sauna BY THE MORN


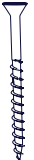


№60



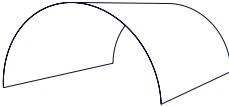
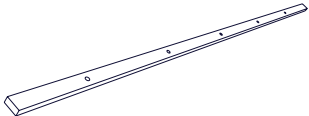
*assembly instructions






<p>A x3</p> 	<p>B x1</p> 	<p>C x40 (+1 reserve)</p> 	<p>C1 x40 (+1 reserve)</p> 
<p>cradles</p>	<p>center stave</p>	<p>left side body staves</p>	<p>right side body staves</p>
<p>H x2</p> 	<p>D x1</p> 	<p>E x1</p> 	<p>E1 x1</p> 
<p>final H-type top stave</p>	<p>front panel</p>	<p>rear panel</p>	<p>rear panel with window</p>
<p>F x1</p> 	<p>F1 x1</p> 	<p>O x1</p> 	<p>W x10</p> 
<p>left panel section</p>	<p>right panel section</p>	<p>aspen roof board</p>	<p>decorative roof finishing boards</p>
<p>J x2</p> 	<p>J1 x2</p> 	<p>J2 x6</p> 	<p>L x3</p>  <p>inside outside</p>
<p>interior benches</p>	<p>bench supporting legs</p>	<p>backrest staves</p>	<p>flooring duckboard</p>

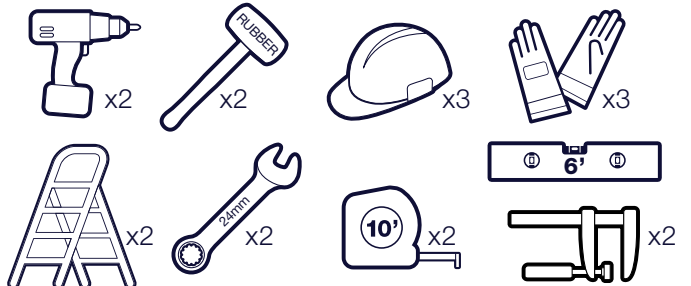
<p>(K) x2</p> 	<p>(V) x3</p>  <p>*if needed for heater installation.</p>	<p>(I) x2</p> 	<p>(R) x1</p> 
<p>exterior bench parts</p>	<p>wire raceways</p>	<p>metal bands</p>	<p>adhesive roof tape</p>

<p>(M) x8</p> 	<p>(X) x2</p> 	<p>(N) x130</p> 	<p>(N1) x24</p> 
<p>screw 5.0x120</p>	<p>screw 5.0x100</p>	<p>screw 4.2x70</p>	<p>stainless steel screw 4.2x70</p>

<p>(P) x70</p> 	<p>(P1) x24</p> 	<p>(Z) x1</p> 	<p>(Z1) x2</p> 
<p>screw 4.0x50</p>	<p>stainless steel screw 4.0x50</p>	<p>waterproof roof cover</p>	<p>wooden slat for roof cover</p>

<p>(U) x2 + x2 + x4</p>		
	<p>+</p> 	<p>+</p> 
<p>Ø bolt 16x140</p>	<p>hex nut M16 (SW24)</p>	<p>flat washer</p>

Tools Required:



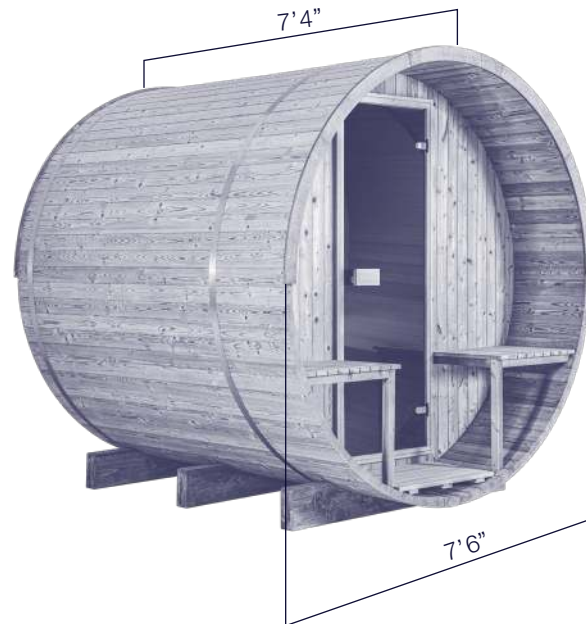
3 People Recommended



step zero.

Before you begin, be sure the sauna will fit in your chosen location. Approximately 8' x 8' is ideal. Overall dimensions are shown here.

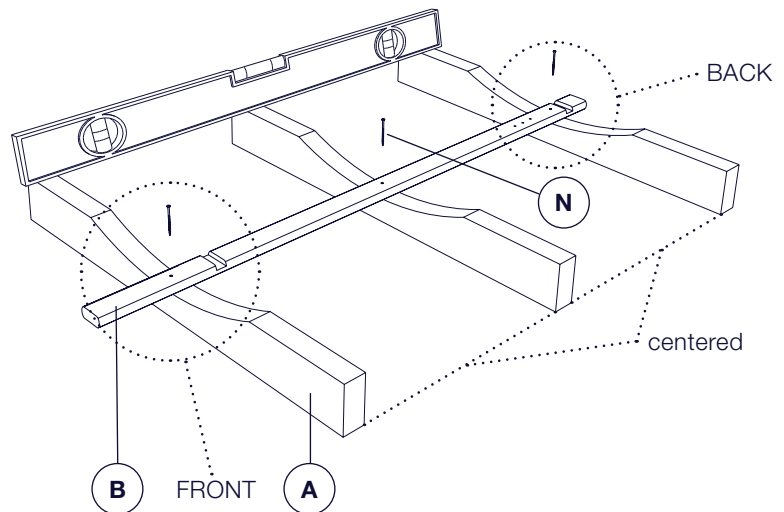
Be sure the site is level and free of standing water after rainfall. Concrete, pavers or crushed stone is preferred.



step one.

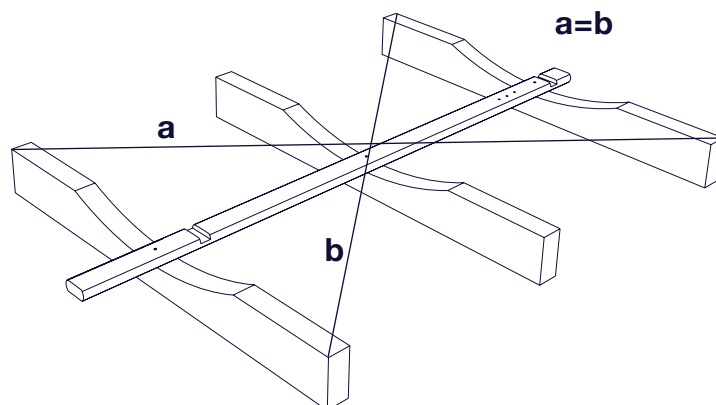
Place the support cradles (A) on level site. The middle support cradle will have no dowel. Carefully level for better stability.

Place the center stave (B) on wooden dowels embedded in outer support cradles (A). Fix the center stave (B) with screw 4.2x70 (N).



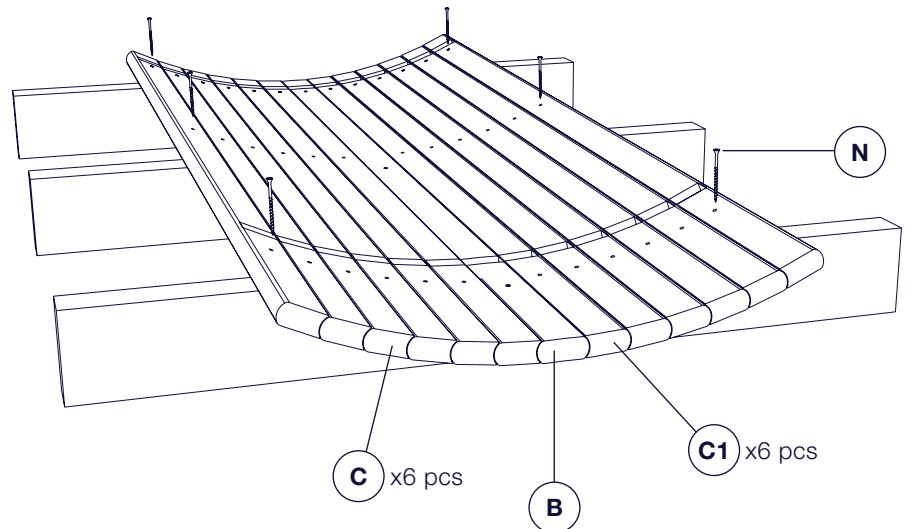
step two.

Measure support cradles (A) diagonally from corner to corner. Measurements "a" and "b" should be equal to ensure the cradles are square. Be sure cradles remain level.



step three.

Place 6 sauna body staves (C,C1) to each side of the center stave (B) and fix with screws 4.2X70 (N). Body staves (C) are left and right sided. Be sure to align the panel groove on every next body stave.

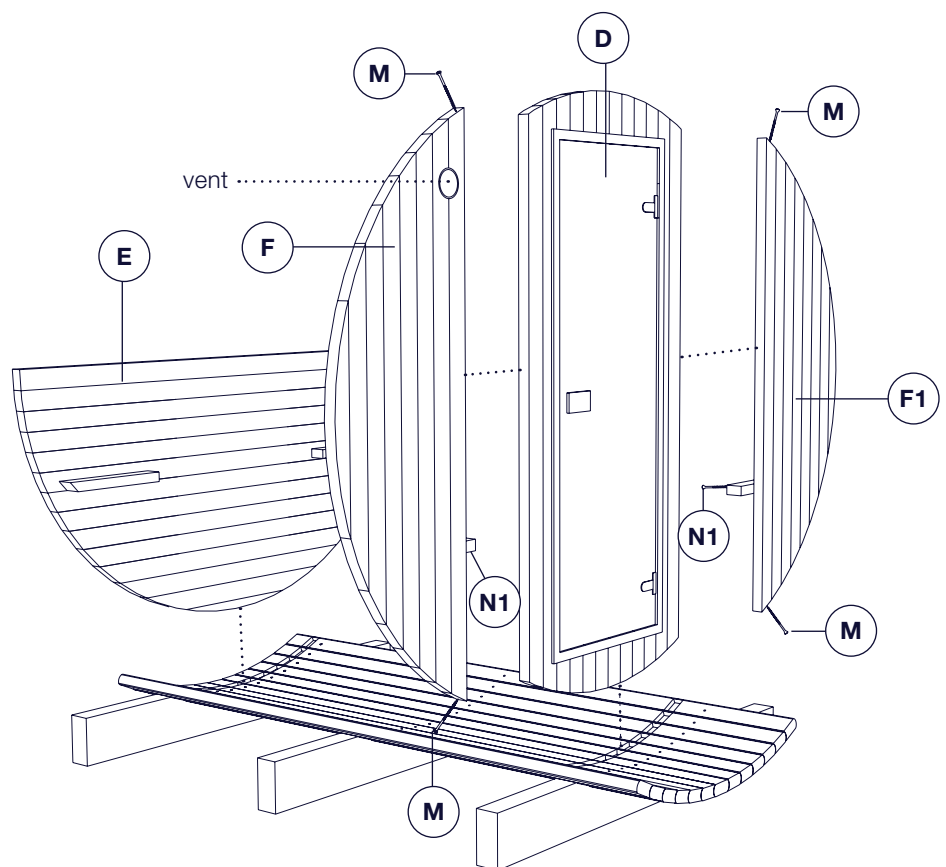


step four.

Place door panel (D) in front slot. Be sure panel is centered, leveled, completely seated. Attach side panels (F, F1) using 4 5.0x120 (M) screws and 2 4.2x70 (N1) stainless steel screws.

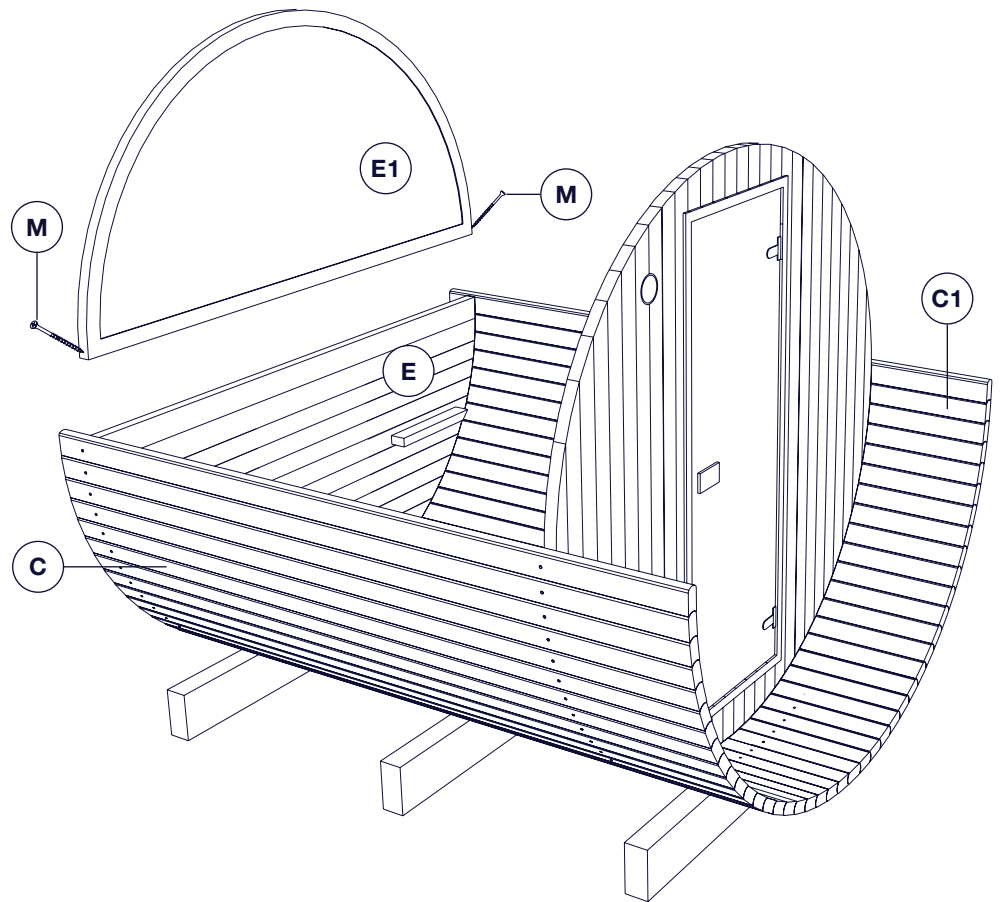
Place rear panel (E) with bench supports facing interior.

Confirm width of rear panel (E) matches combined width of left panel section (M), front panel (D) and right panel section (M). These panels must be completely seated into the floor panel.



step five.

Place left body staves (C) and right body staves (C1) until the halfway point. Place rear panel with window (E1) on rear panel (E), fix by 2 screws 5.0x120 (M).

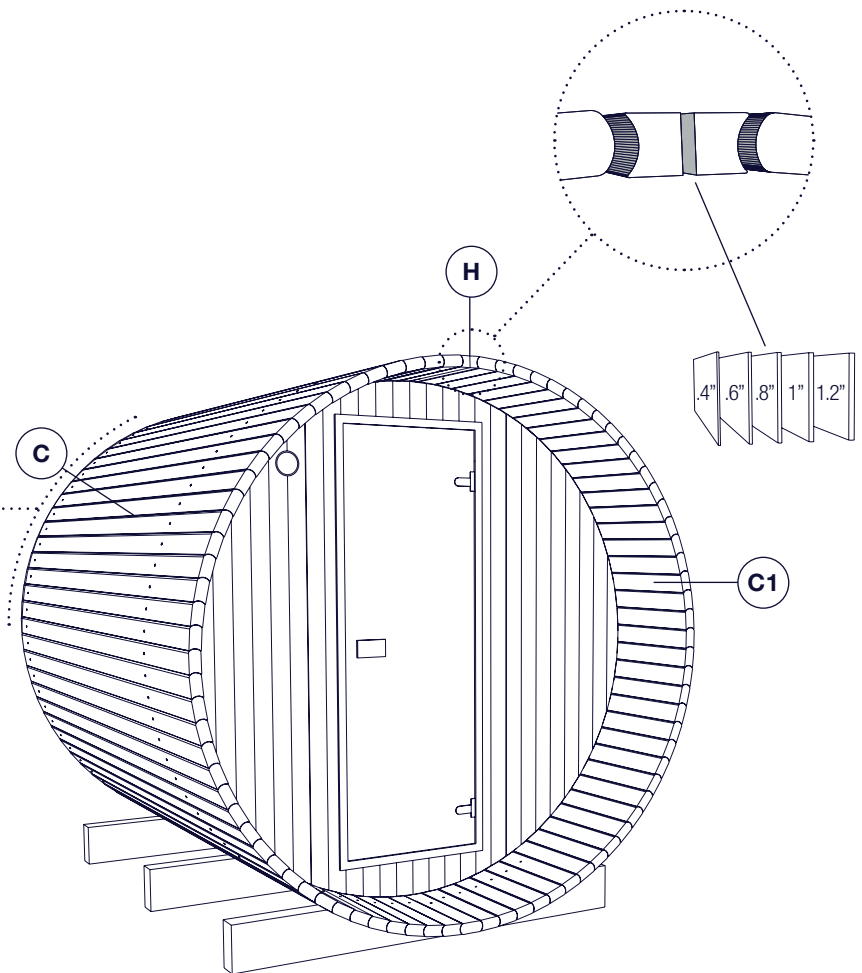
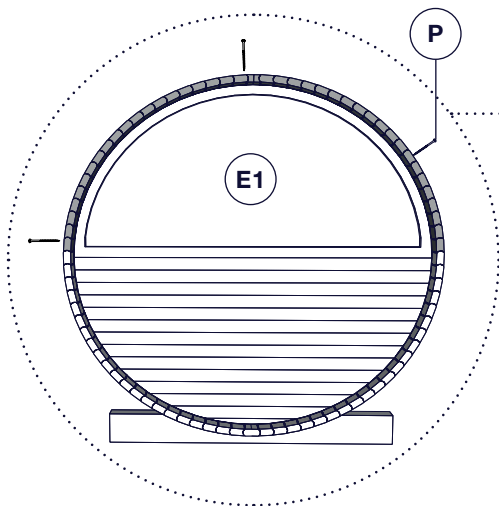


step six.

Continue placing left and right body staves (C, C1) tightly on both sides of the sauna using rubber mallet, while fixing body staves on the front panel with 4.2x70 screws and rear window panel with 4.0x50 screws to prevent glass breakage. To finish the roof top joint, use top stave (H). Different thickness options are provided to completely fill the gap.

WARNING!

Use shorter screw 4.0x50 (P) for rear panel E1 otherwise the window **will be** damaged!





step seven.

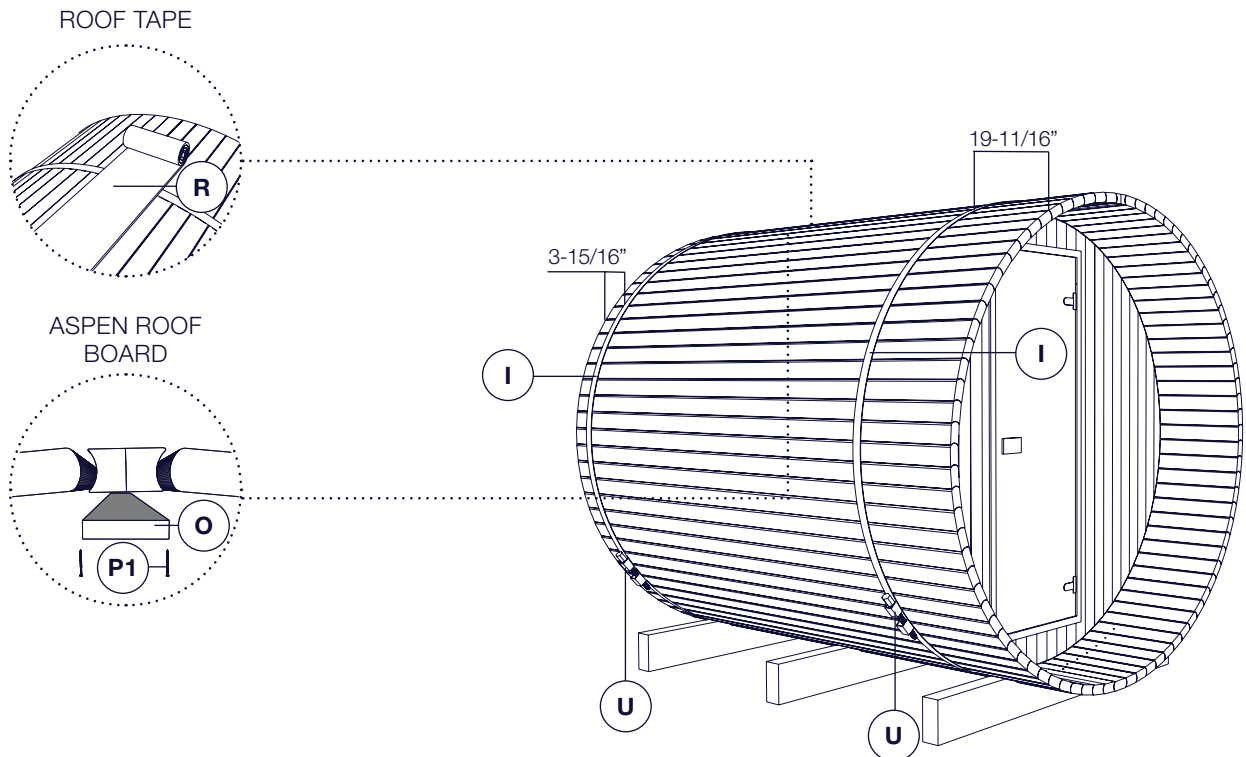
Measure steel bands (I) to ensure correct length of 276," +/- 1/2" is acceptable.

Install steel bands (I) by wrapping bands around barrel prior to connecting with bolts and nuts (U).

Place steel bands evenly around barrel, covering screw heads. Measure from steel band to barrel edge to ensure the steel band is even.

Cover roof with roof tape. Rub and smooth with pressure to ensure adhesion.

Install interior aspen roof trim (O) with 4.0x50 (P1) stainless steel screws.

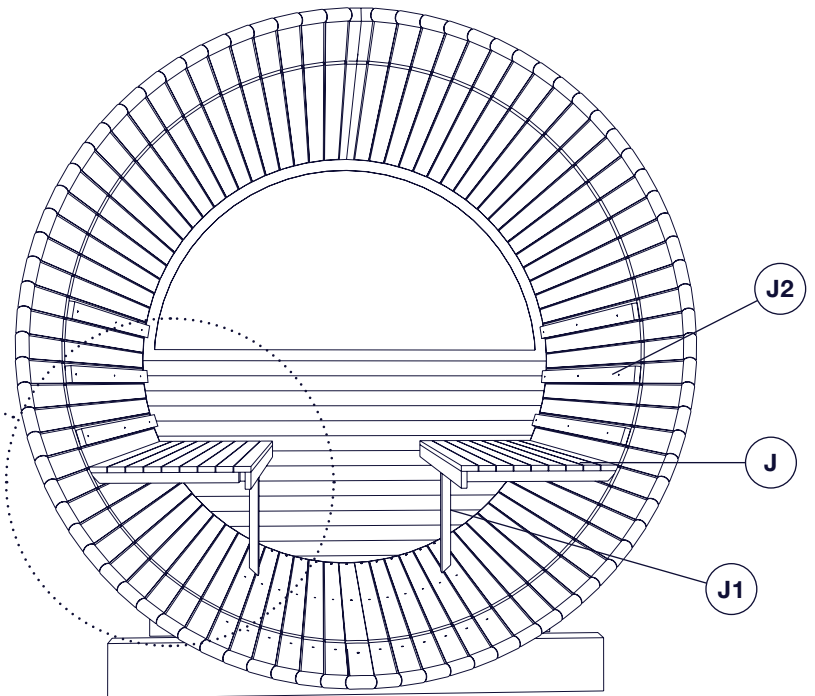
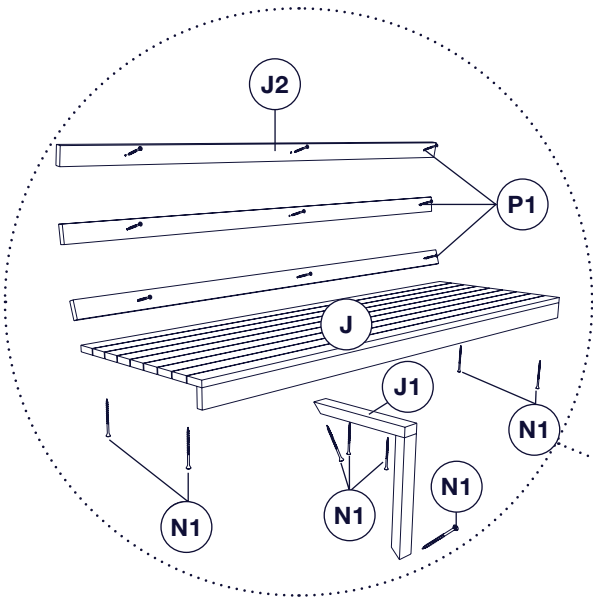
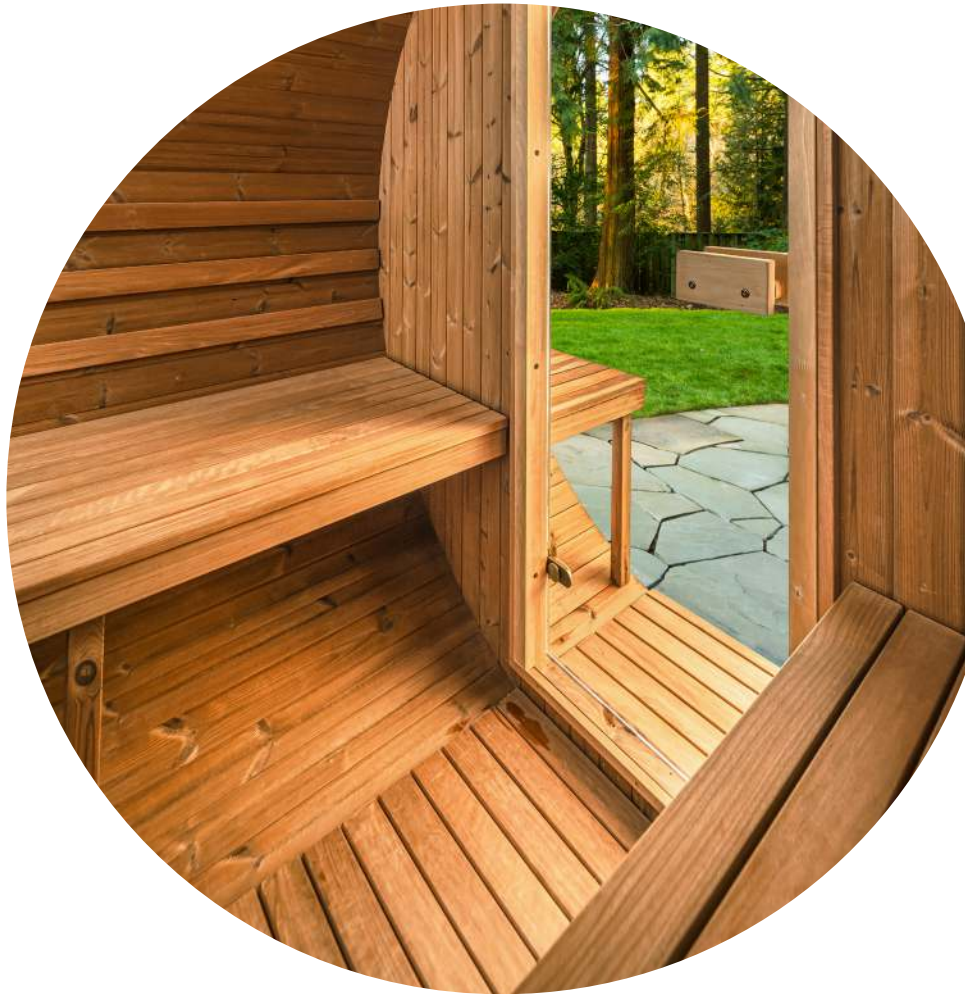




step eight.

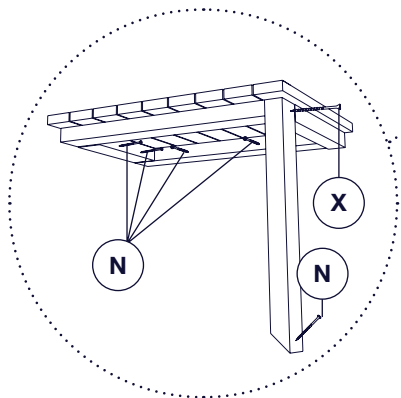
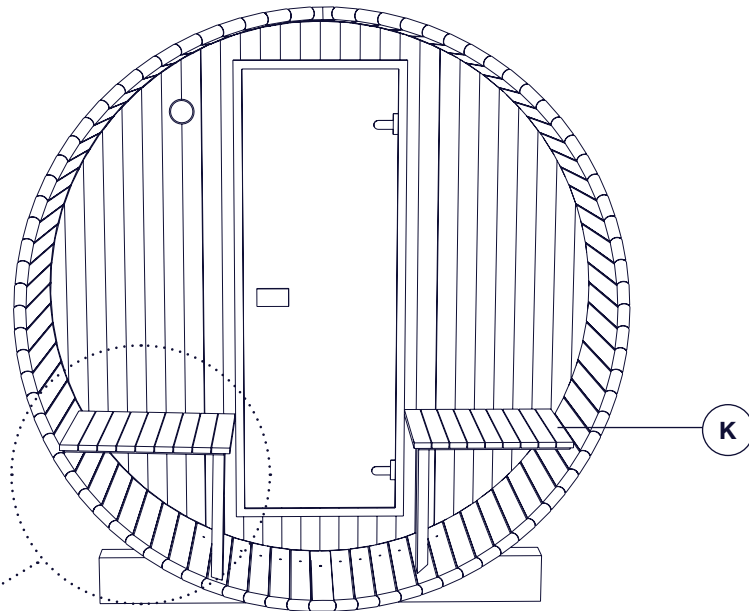
Attach interior supporting leg (J1) to the bench (J), install two sauna benches on wall mounts using stainless steel screws 4.2x70 (N1). Hold the seat and leg assembly tight to the sauna wall. Using a level, make sure the bench seat is level from front to back. This will ensure proper placement.

Install backrests (J2) at your chosen height using stainless steel screw 4.0x50 (P1).



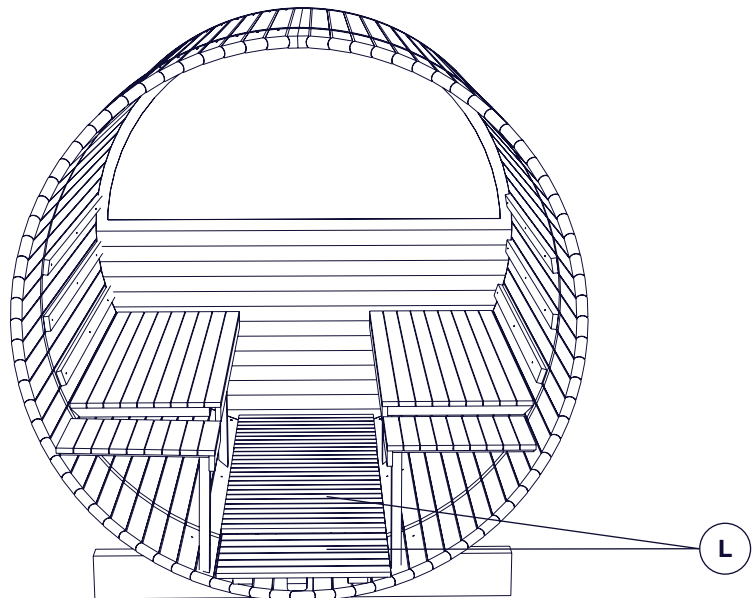
step nine.

Install porch benches (K), using screws 4.2x70 (N) and 5.0x100 (X). Hold the seat and leg assembly tight to the sauna wall. Using a level, make sure the bench seat is level from front to back. This will ensure proper placement.



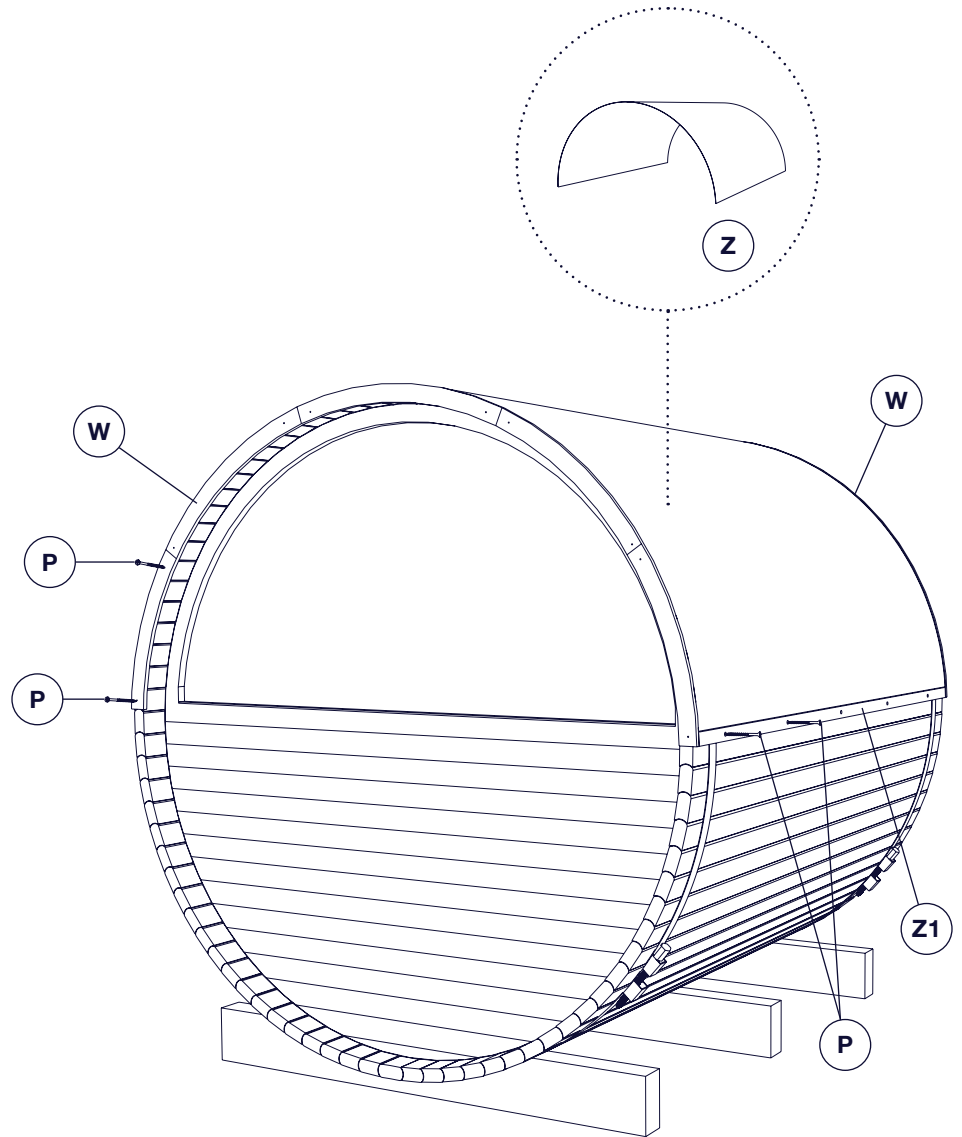
step ten.

Wire raceways (V) and flooring duckboards (L) can be used for wiring runs, confirm specific wiring runs needed for chosen stove.



step eleven.

Place waterproof roof cover (Z) and fix it with wooden slat (Z1) and screws 4.0x50 (P). Install front and rear decorative roof finishing boards (W), fixing by screws 4.0x50 (P).



sauna BY THERMO

watch the video.

See how assembly will look [here](#).



Questions or Concerns?
224.253.5909