



## Installation Guide

Barrel N°60

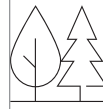
# The Wait Is Over.

Everything you need to build your very own Thermory Barrel Sauna is right there in front of you. If it looks like a lot, it is. If it seems too complicated to assemble, it isn't.

These instructions are specifically written to guide you through each step with ease. And if you need additional encouragement, you can scan the code on the back of this guide to see how it's done.

The Thermory Barrel Sauna No60 is designed for up to six people and is outfitted with a window and a porch. That's plenty of room for you and the friends helping you put this together. But if you want to enjoy the first steam all by yourself, we understand.

We truly appreciate the opportunity to share our love of sauna culture with you. And if there's anything we can do to make your sauna experience better, please don't hesitate to let us know. If not, just relax and enjoy.



REAL WOOD PRODUCTS



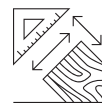
SUSTAINABLE



THERMALLY MODIFIED WOOD



DURABILITY



DIMENSIONAL STABILITY



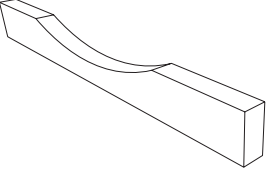
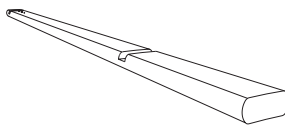
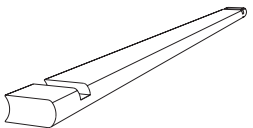
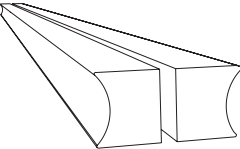
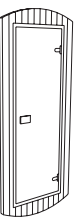
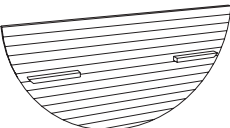
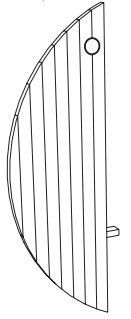
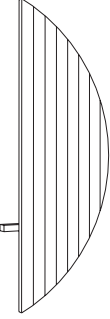
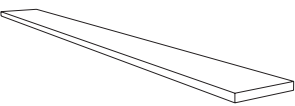
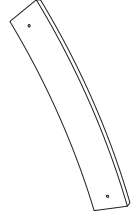
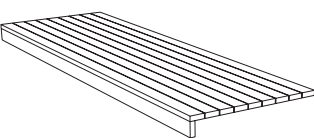
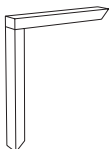
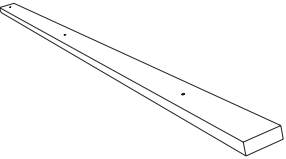
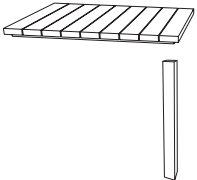


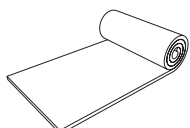
ECO-FRIENDLY / CHEMICAL-FREE PROCESS



# BARRELS

Installation guide Barrel N°60

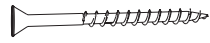
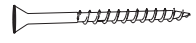
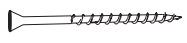
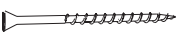


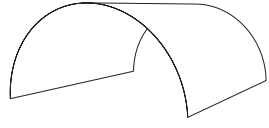
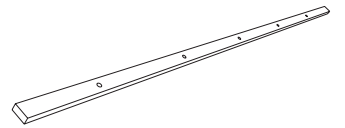





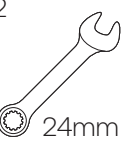
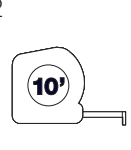



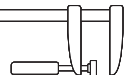
## PARTS 1

<b>CRADLES</b> x3 <b>A</b> 	<b>CENTER STAVE</b> x1 <b>B</b> 	<b>RIGHT SIDE BODY STAVES</b> x40 (+1 reserve) <b>C</b> 	<b>LEFT SIDE BODY STAVES</b> x40 (+1 reserve) <b>C1</b> 
<b>FINAL H-TYPE TOP STAVE</b> x2 <b>H</b> 	<b>FRONT PANEL</b> x1 <b>D</b> 	<b>REAR PANEL</b> x1 <b>E</b> 	<b>REAR PANEL WITH WINDOW</b> x1 <b>E1</b> 
<b>LEFT PANEL SECTION</b> x1 <b>F</b> 	<b>RIGHT PANEL SECTION</b> x1 <b>F1</b> 	<b>ASPEN ROOF BOARD</b> x1 <b>O</b> 	<b>DECORATIVE ROOF NISHING BOARDS</b> x10 <b>W</b> 
<b>INTERIOR BENCHES</b> x2 <b>J</b> 	<b>BENCH SUPPORTING LEGS</b> x2 <b>J1</b> 	<b>BACKREST STAVES</b> x6 <b>J2</b> 	<b>FLOORING DUCKBOARD</b> x3 <b>L</b>  <p>inside outside</p>
<b>EXTERIOR BENCH PARTS</b> x2 <b>K</b> 	<b>WIRE RACEWAYS</b> x3 <b>V</b>  <p>*if needed for heater installation.</p>	<b>METAL BANDS</b> x2 <b>I</b> 	<b>ADHESIVE ROOF TAPE</b> x1 <b>R</b> 

# BARRELS

Installation guide Barrel N°60

## PARTS 2

<b>SCREW 5.0X120</b> x8 <b>M</b> 	<b>SCREW 5.0X100</b> x2 <b>X</b> 	<b>SCREW 4.2X70</b> x130 <b>N</b> 	<b>STAINLESS STEEL SCREW 4.2X70</b> x24 <b>N1</b> 
<b>SCREW 4.0X50</b> x70 <b>P</b> 	<b>STAINLESS STEEL SCREW 4.0X50</b> x24 <b>P1</b> 	<b>WATERPROOF ROOF COVER</b> x1 <b>Z</b> 	<b>WOODEN SLAT FOR ROOF COVER</b> x2 <b>Z1</b> 
<b>Ø BOLT 16X140</b> x2 	<b>HEX NUT M16 (SW24)</b> x2 	<b>FLAT WASHER</b> x4 <b>U</b> 	<b>TOOLS REQUIRED:</b> x2 
 x2	 x2	 x2	 x3
<b>3 People Recommended</b> 	 6'	 x2	

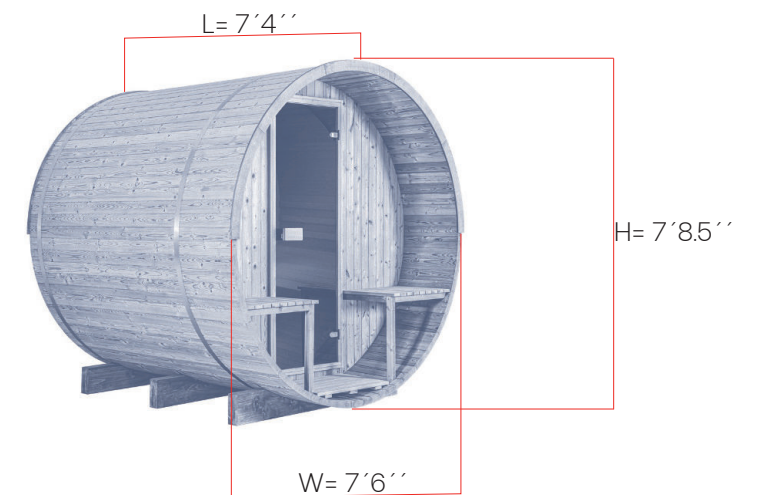
## STEP ZERO

Before you begin, be sure the sauna will fit in your chosen location.

Approximately L x W x H of 8' x 8' x 8' is ideal. Overall dimensions are shown here.

Be sure the site is level and free of standing water after rainfall.

Concrete, pavers or crushed stone is preferred.

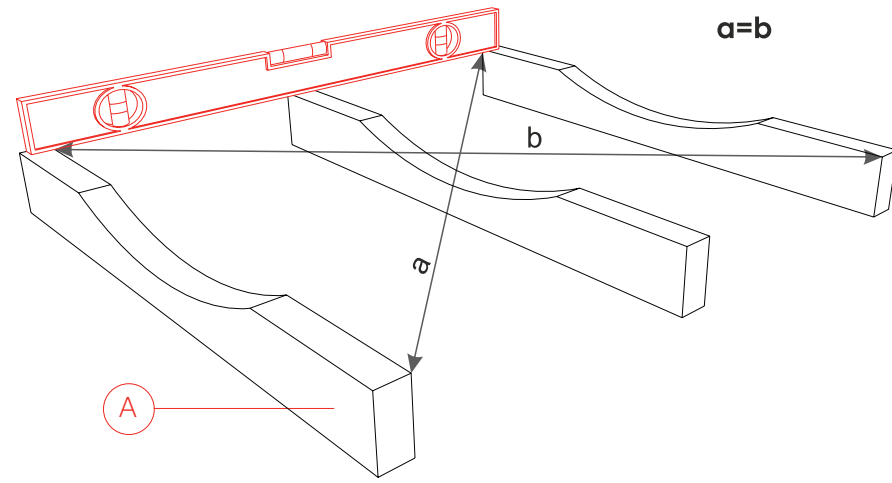


STEP ONE

Measure support cradles (A) diagonally from corner to corner.

Measurements "a" and "b" should be equal to ensure the cradles are square.

Be sure cradles remain level.

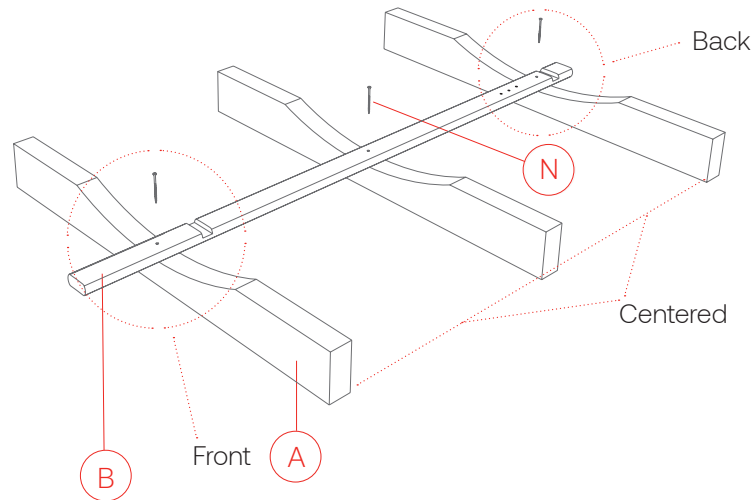


STEP TWO

Place the support cradles (A) on level site. The middle support cradle will have no dowel. Carefully level for better stability.

Place the center stave (B) on wooden dowels embedded in outer support cradles (A).

Fix the center stave (B) with screw 4.2 x 70 (N).

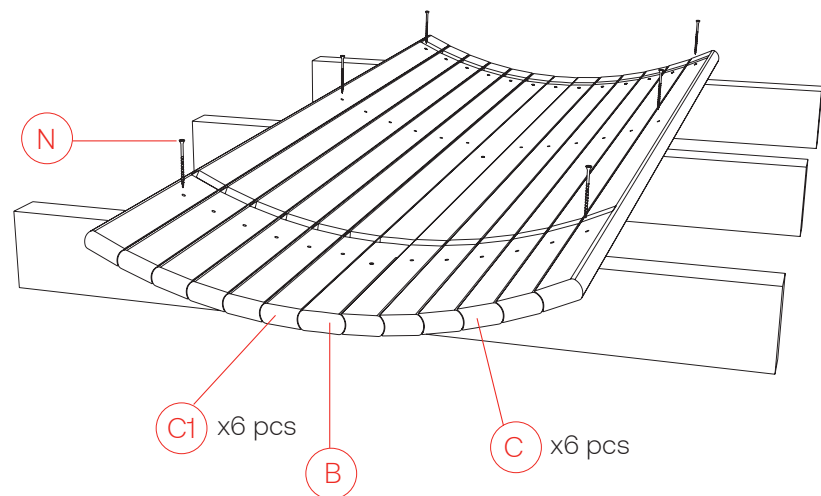


STEP THREE

Place 6 sauna body staves (C, C1) to each side of the center stave (B) and fix with screws 4.2 x 70 (N).

Body staves (C) are left and right sided.

Be sure to align the panel groove on every next body stave.



STEP FOUR

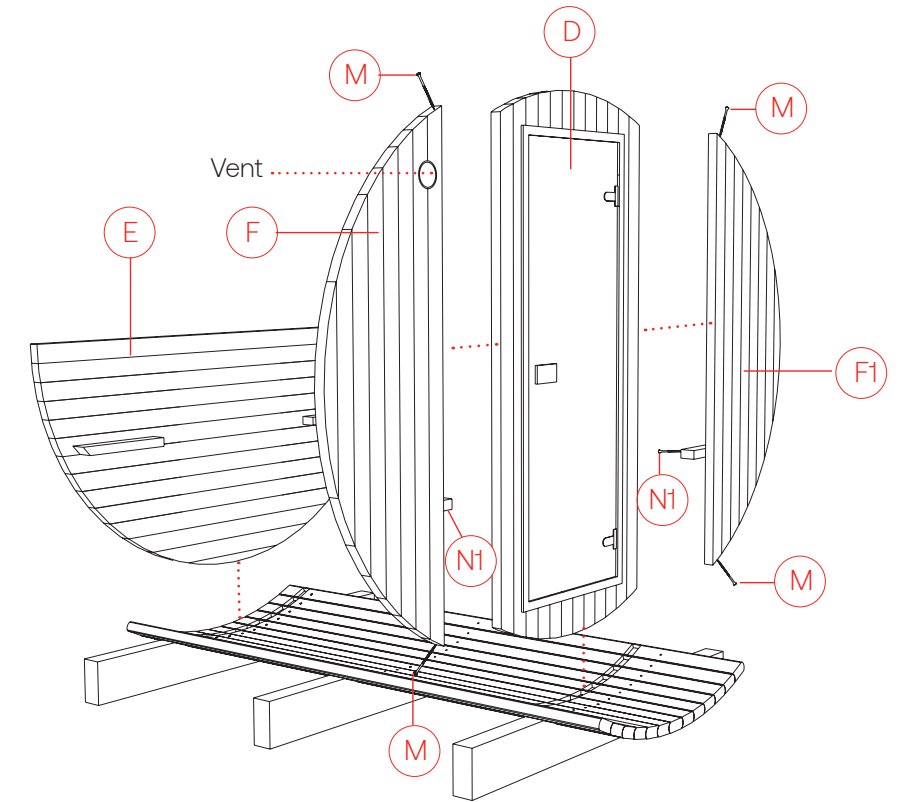
Place door panel (D) in front slot. Be sure panel is centered, leveled, completely seated.

Attach sidepanels (F, F1) using 4 5.0 x 120 (M) screws and 2 4.2 x 70 (N1) stainless steel screws.

Place rear panel (E) with bench supports facing interior.

Confirm width of rear panel (E) matches combined width of left panel section (M), front panel (D) and right panel section (M).

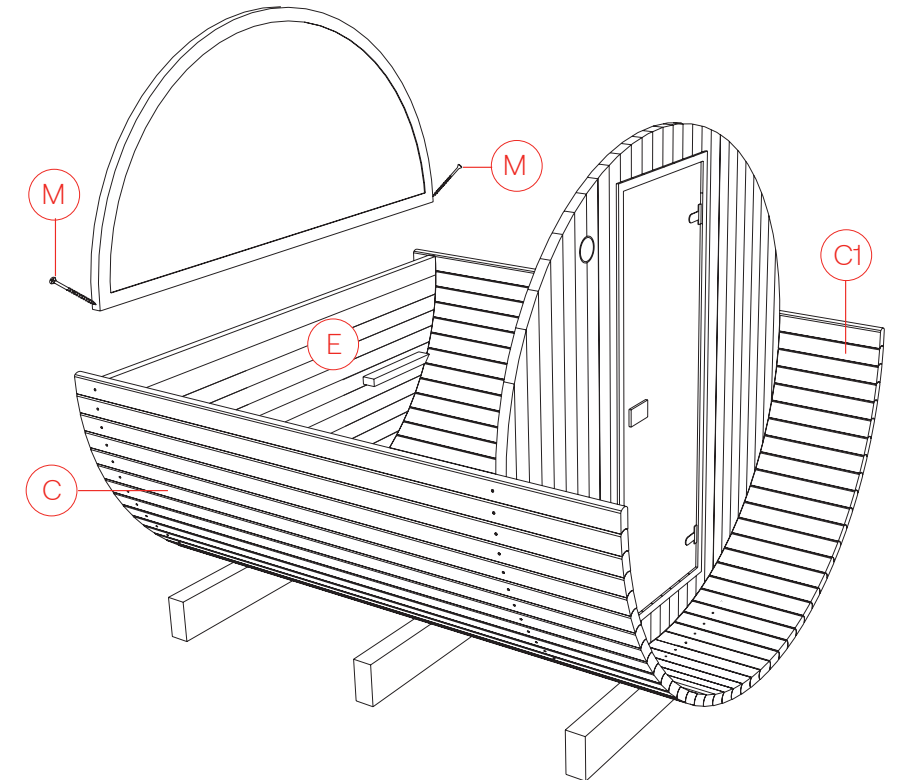
These panels must be completely seated into the floor panel.



STEP FIVE

Place left body staves (C) and right body staves (C1) until the halfway point.

Place rear panel with window (E1) on rear panel (E), fix by 2 screws 5.0 x 120 (M).



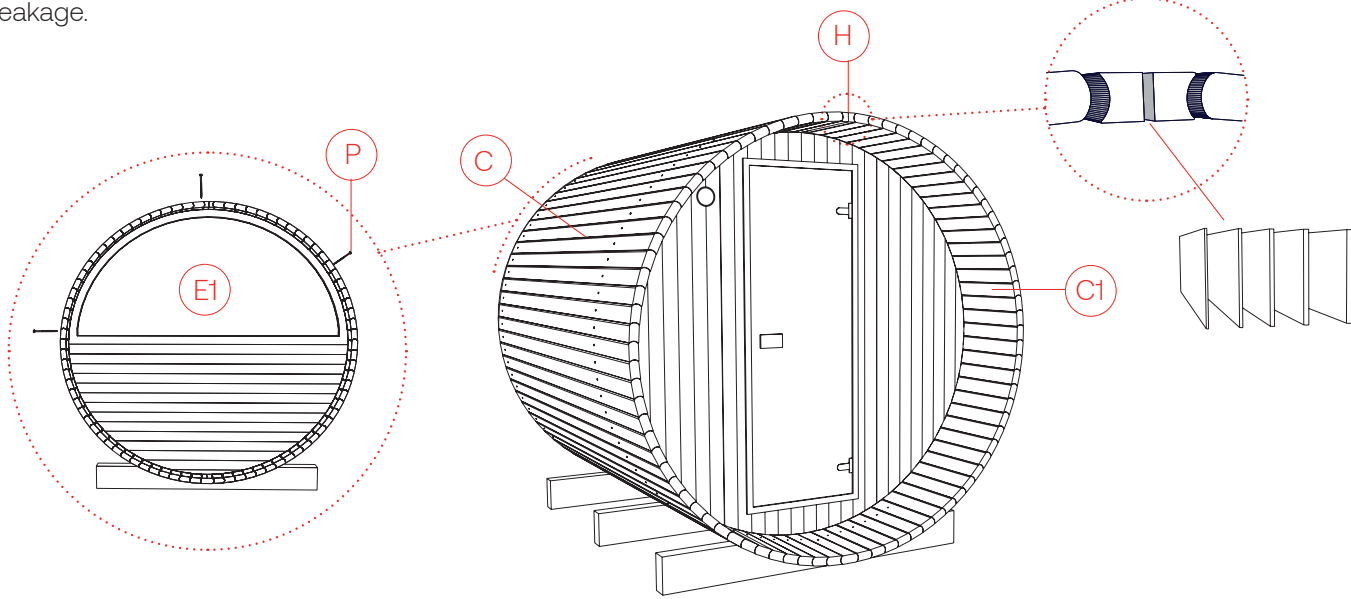
STEP SIX

Continue placing left and right body staves (C, C1) tightly on both sides of the sauna using rubber mallet, while fixing body staves on the front panel with 4.2 x 70 screws and rear window panel with 4.0 x 50 screws to prevent glass breakage.

To finish the roof top joint, use top stave (H).

Different thickness options are provided to completely fill the gap.

**WARNING!**  
Use shorter screw 4.0 x 50 (P) for rear panel E1 otherwise the window will be damaged



STEP SEVEN

Measure steel bands (I) to ensure correct length of 276," +/- 1/2" is acceptable.

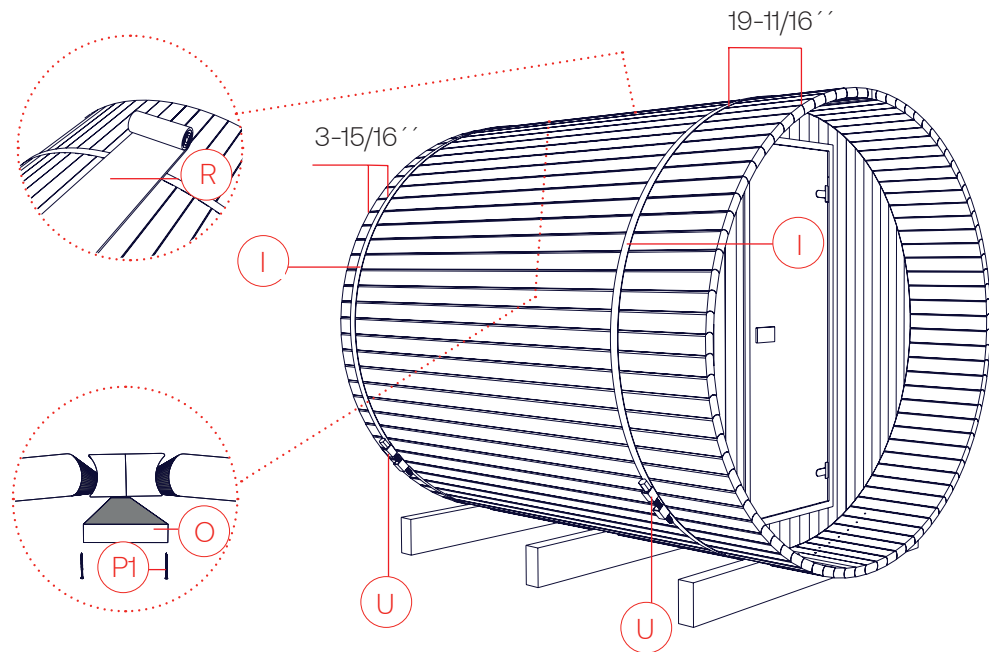
Install steel bands (I) by wrapping bands around barrel prior to connecting with bolts and nuts (U).

Place steel bands evenly around barrel, covering screw heads.

Measure from steel band to barrel edge to ensure the steel band is even.

Cover roof with roof tape. Rub and smooth with pressure to ensure adhesion.

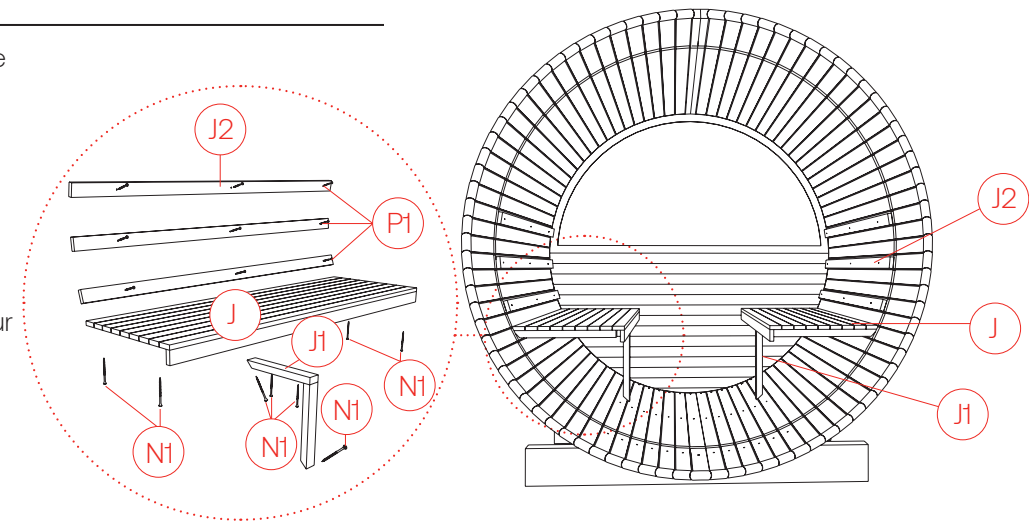
Install interior aspen roof trim (O) with 4.0 x 50 (P1) stainless steel screws.



STEP EIGHT

Attach interior supporting leg (J1) to the bench (J), install two sauna benches on wall mounts using stainless steel screws 4.2 x 70 (N1).

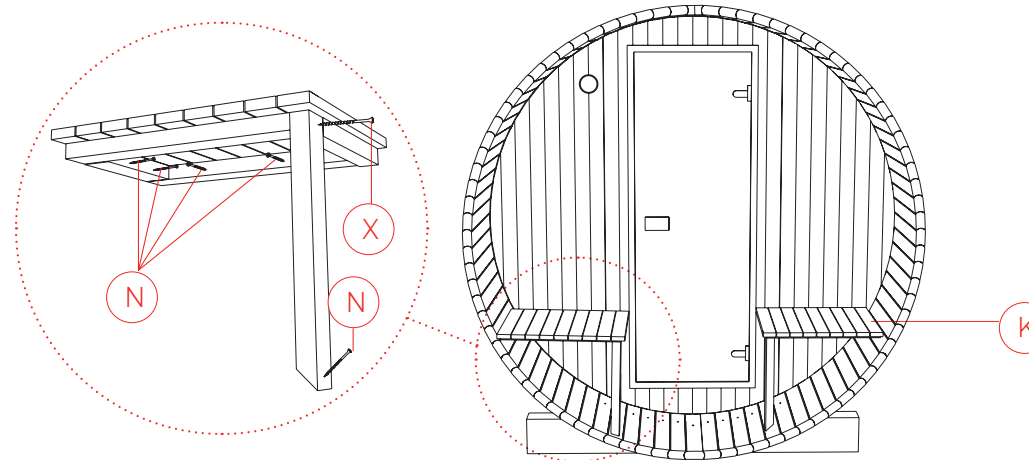
Hold the seat and leg assembly tight to the sauna wall. Using a level, make sure the bench seat is level from front to back. This will ensure proper placement. Install backrests (J2) at your chosen height using stainless steel screw 4.0 x 50 (P1).



STEP NINE

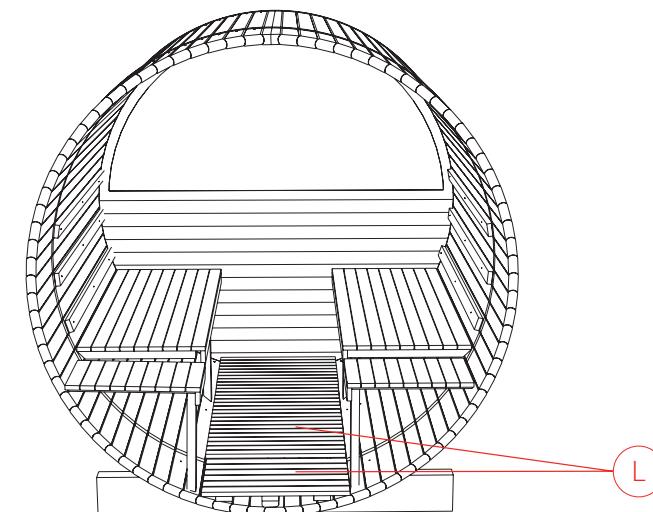
Install porch benches (K), using screws 4.2 x 70 (N) and 5.0 x 100 (X).

Hold the seat and leg assembly tight to the sauna wall. Using a level, make sure the bench seat is level from front to back. This will ensure proper placement.



STEP TEN

Wire raceways (V) and flooring duckboards (L) can be used for wiring runs, confirm specific wiring runs needed for chosen stove

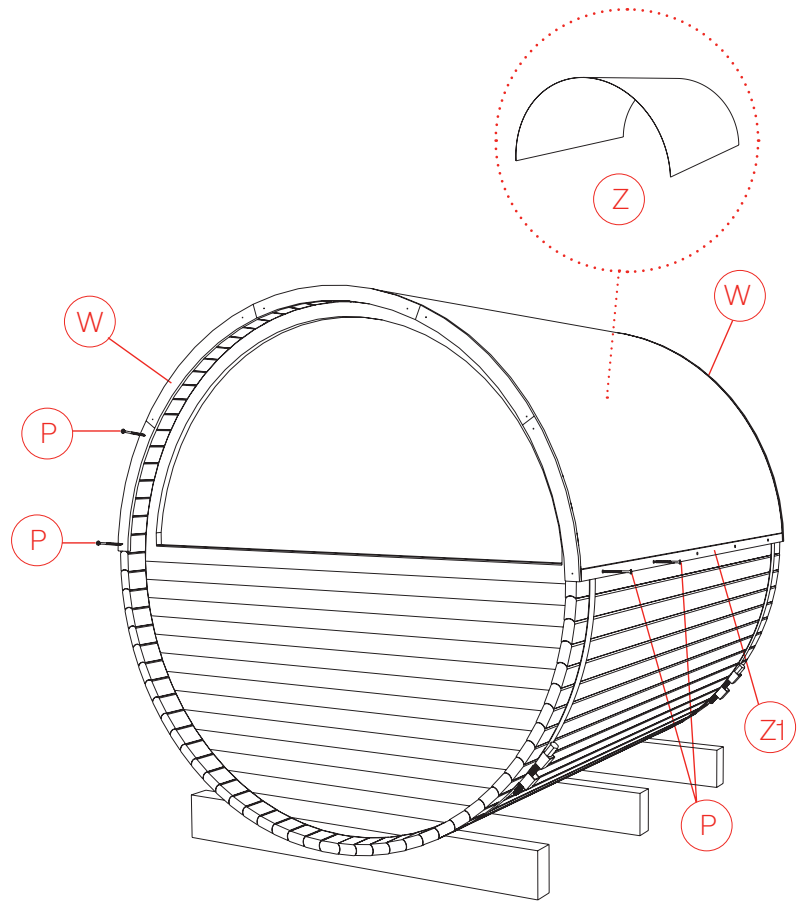


## STEP ELEVEN

Place waterproof roof cover (Z) and fix it with wooden slat (Z1) and screws 4.0 x 50 (P).

Install front and rear decorative roof finishing boards (W), fixing by screws 4.0 x 50 (P).

WATCH THE VIDEO



SEE HOW ASSEMBLY  
WILL LOOK [HERE](#).



### Thermory USA - Denver

537 W. Highlands Ranch Pkwy, Ste. 114  
Highlands Ranch, CO 80129  
720.759.7268  
support@thermoryusa.com

### Thermory USA - Buffalo

56 Harvester Ave, Ste. 1-201  
Batavia, NY 14020  
585.591.6590  
support@thermoryusa.com

→ [SaunaByThermory.com](https://SaunaByThermory.com)



**THERMORY**<sup>®</sup>  
LEAVE A LASTING IMPACT