



**EN** Owner's/Operator's Manual

**FR** Manuel de l'utilisateur/opérateur

Sauna heater installation, wiring, operating instructions, troubleshooting, maintenance and guarantee.

Instructions d'installation, de câblage et d'utilisation, dépannage, entretien et garantie du poêle de sauna.

**IMPORTANT!** This manual must be left with owner, manager, or operator of Sauna after it is used by electrician!

**IMPORTANT !** Ce manuel doit être remis au propriétaire, au gérant ou à l'opérateur du sauna après avoir été utilisé par l'électricien !

## THE **WALL**

### MODEL

HSWS6U1B	6.0 kW
HSWS8U1B	8.0 kW
HSWS6U3B	6.0 kW
HSWS8U3B	8.0 kW

HSW6U1B	6.0 kW
HSW8U1B	8.0 kW
HSW6U3B	6.0 kW
HSW8U3B	8.0 kW



Harvia US Inc.  
32282 Seneca Trail, Renick,  
WV 24966  
+ 1 304-497-3991

Sauna Specialiste Inc.  
Dessere Nord Autoroute 440 O  
Laval, Quebec, H7L 3W3  
Toll free: 1 855-689-2422



ETL LISTED  
CONFORMS TO  
UL STD 875  
CERTIFIED TO  
CAN/CSA STD  
E60335-2-53-05

EN

FR

**CONTENTS**  
 WARNINGS ..... 3

**1. INSTRUCTIONS FOR USE** ..... 4  
 1.1. Piling of the Sauna Stones ..... 4  
 1.1.1. Maintenance ..... 4  
 1.2. Heating of the Sauna ..... 4  
 1.3. Using the Heater ..... 5  
 1.3.1. Heater on ..... 5  
 1.3.2. Pre-setting Time (timed switch-on) ..... 5  
 1.3.3. Heater off ..... 5  
 1.3.4. Setting the Temperature ..... 5  
 1.4. Throwing Water on Heated Stones ..... 5  
 1.5. Instructions for Bathing ..... 6  
 1.6. Troubleshooting ..... 6

**2. THE SAUNA ROOM** ..... 7  
 2.1. Insulation and Wall Materials of the Sauna Room .. 7  
 2.1.1. Room construction – general information ..... 7  
 2.1.2. Darkening of the Sauna Walls ..... 7  
 2.2. Sauna Room Floor ..... 7  
 2.3. Heater Output ..... 7  
 2.4. Sauna Room Ventilation ..... 7  
 2.5. Hygienic Conditions of the Sauna Room ..... 8

**3. INSTRUCTIONS FOR INSTALLATION** ..... 9  
 3.1. Prior to Installation ..... 9  
 3.2. Place and Safety Distances ..... 9  
 3.3. Heater fence ..... 10  
 3.4. Electrical Connections ..... 10  
 3.5. Electric heater insulation resistance ..... 10  
 3.6. Installing the Heater ..... 14  
 3.7. Resetting the Overheat Protectors ..... 14

**4. SPARE PARTS** ..... 15  
 GUARANTEE ..... 29

**MAINTENANCE INSTRUCTIONS** ..... 30

**TABLE DES MATIÈRES**  
 AVERTISSEMENTS ..... 16

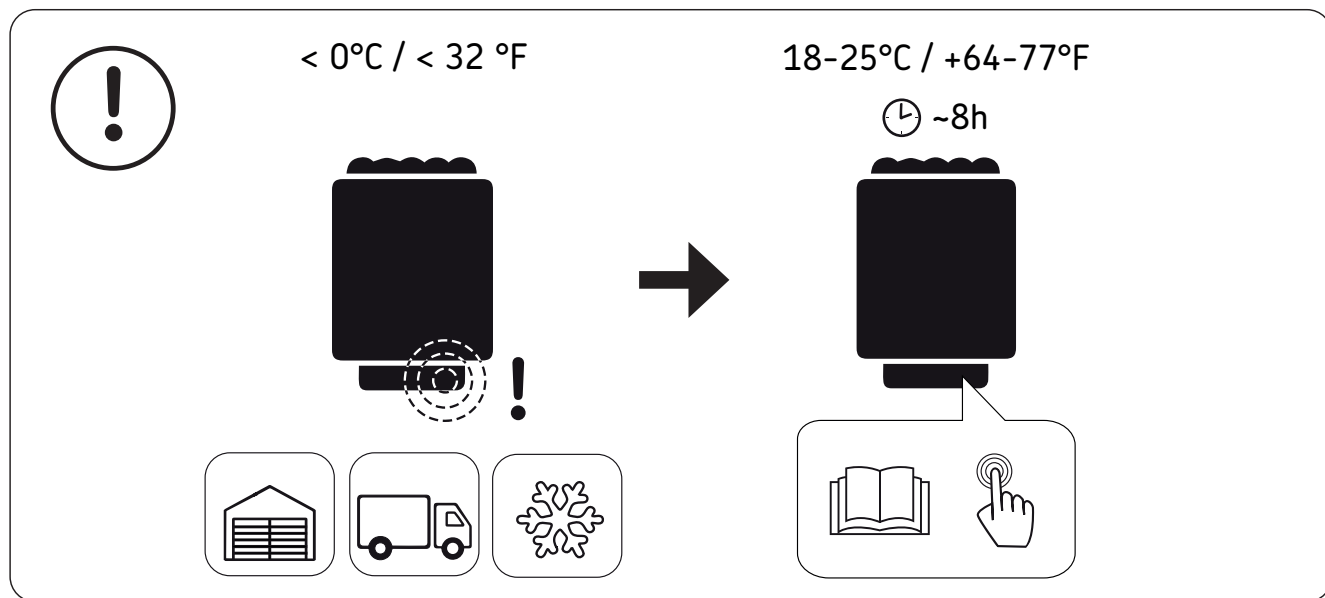
**1. MODE D'EMPLOI** ..... 17  
 1.1. Mise en place des pierres du poêle ..... 17  
 1.1.1. Maintenance ..... 17  
 1.2. Chauffage du sauna ..... 17  
 1.3. Utilisation du poêle ..... 18  
 1.3.1. Mise en route du poêle ..... 18  
 1.3.2. Durée de pré-programmation (mise en route programmée) ..... 18  
 1.3.3. Arrêt du poêle ..... 18  
 1.3.4. Réglage de la température ..... 18  
 1.4. Projection de l'eau sur les pierres ..... 19  
 1.5. Conseils pour la séance de sauna ..... 19  
 1.6. Dépannage ..... 19

**2. LE SAUNA** ..... 20  
 2.1. Isolation du sauna et matériaux muraux ..... 20  
 2.1.1. Structure du sauna - informations d'ordre général ..... 20  
 2.1.2. Noircissement des murs du sauna ..... 20  
 2.2. Revêtement de sol du sauna ..... 20  
 2.3. Puissance du poêle ..... 20  
 2.4. Ventilation de la cabine de sauna ..... 21  
 2.5. Hygiène du sauna ..... 21

**3. INSTRUCTIONS D'INSTALLATION** ..... 22  
 3.1. Avant l'installation ..... 22  
 3.2. Emplacement et distances de sécurité ..... 22  
 3.3. Ceinture de protection du poêle ..... 22  
 3.4. Raccordement électrique ..... 23  
 3.5. Résistance d'isolation du poêle électrique ..... 23  
 3.6. Installation du poêle ..... 27  
 3.7. Réinitialisation de la sécurité surchauffe ..... 27

**4. PIÈCES DÉTACHÉES** ..... 28  
 GARANTIE ..... 29

**INSTRUCTIONS D'ENTRETIEN** ..... 30



**EN:** Overheat protector of the device can go off also at temperatures below  $-5^{\circ}\text{C}$  /  $23^{\circ}\text{F}$  (storage, transport, environment). Before installation take the device to the warm environment. The overheat protector can be reset when the temperature of the device is approx  $18^{\circ}\text{C}$  /  $64^{\circ}\text{F}$ . **The overheat protector must be reset before using the device.** See the user manual > Resetting the Overheat Protector.

**FR:** La sécurité-surchauffe de l'appareil peut également se déclencher à des températures inférieures à  $-5^{\circ}\text{C}$  /  $23^{\circ}\text{F}$  (stockage, transport, environnement). Avant l'installation, placez l'appareil dans un endroit chaud. La sécurité-surchauffe peut être réinitialisée quand la température de l'appareil se situe à env.  $18^{\circ}\text{C}$  /  $64^{\circ}\text{F}$ . **La sécurité-surchauffe doit être réinitialisée avant d'utiliser cet appareil.** Reportez-vous au manuel > Réinitialisation de la sécurité-surchauffe.

**PLEASE READ THE INSTRUCTIONS FOR USE CAREFULLY BEFORE USING THE HEATER.**



## **WARNINGS**

- Keep away from the heater when it is hot. The stones and outer surface of the heater may burn your skin.
- Do not throw too much water on the stones. The evaporating water is boiling hot.
- Do not let young, handicapped or ill people bathe in the sauna on their own.
- This appliance is not intended for use by persons (including children) with reduced physical, sensory or mental capabilities, or lack of experience and knowledge, unless they have been given supervision or instruction concerning use of the appliance by a person responsible for their safety. Children should be supervised to ensure that they do not play with the appliance.
- Consult your doctor about any health-related limitations to bathing.
- Parents should keep children away from the hot heater.
- Consult your child welfare clinic about taking little babies to the sauna.
  - age?
  - temperature of the sauna?
  - time spent in the warm sauna?
- Be very careful when moving in the sauna, as the platform and floors may be slippery.
- Do not smoke, use alcohol, or exercise in the sauna.
- Do not exceed 30 min. in the sauna at one time, as excessive exposure can be harmful to health. The sauna should not be used as an endurance test.
- Persons with poor health should consult their physicians before using the sauna.
- Do not place any combustible material over the sauna heater (towels, bathing suits, wooden bucket or ladle)!
- Hyperthermia occurs when the internal temperature of the body reaches a level several degrees above the normal body temperature of 98,6 °F. The symptoms of hyperthermia include an increase in the internal temperature of the body, dizziness, lethargy, drowsiness, and fainting.

The effects of hyperthermia include:

- A. Failure to perceive heat
- B. Failure to recognize the need to exit the room
- C. Unawareness of impending hazard
- D. Fetal damage in pregnant women
- E. Physical inability to exit the room
- F. Unconsciousness

**WARNING** – the use of alcohol, drugs, or medication is capable of greatly increasing the risk of fatal hyperthermia.

- Use only clean tap water on the stones – do not use pool or spa water, as chlorine gas can be produced and the heating elements can be damaged!
- Sea air and a humid climate may corrode the metal surfaces of the heater.
- No such objects or devices should be placed inside the heater rock space or near the heater that could change the amount or direction of the air flowing through the heater, thus causing the resistance temperature to rise too high, which may set the wall surfaces on fire!
- Do not operate heater without stones or if the stones has been piled incorrectly. Inadequately filled stone space causes fire risk.



**Watch out for the hot surface!**

**Purpose of the electric heater:**

The HSW electric heater is intended for household use only. It is forbidden to use the heater for any other purposes. The guarantee period of an HSW electric heater in family use is one year and in communal use, 3 months. Please read the user's instructions carefully before using the heater.

**NOTE!**

These instructions for installation and use are intended for the owner or the person in charge of the sauna, as well as for the electrician in charge of the electrical installation of the heater.

## 1. INSTRUCTIONS FOR USE

### 1.1. Piling of the Sauna Stones

The piling of the sauna stones has a great effect on both the safety and the heating capability of the heater.


#### Important information on sauna stones:

- The stones should be 2-4'' (5–10 cm) in diameter.
- Use solely angular split-face sauna stones that are intended for use in a heater. Peridotite, olivine-dolerite and olivine are suitable stone types.
- Neither light, porous ceramic "stones" nor soft soapstones should be used in the heater. They do not absorb enough heat when warmed up. This can result in damage to heating elements.
- **Wash off dust from the stones before piling them into the heater.**

#### Please note when placing the stones:

- **The aim is to pile a dense layer of stones against the steel enclosure and pile the rest of the stones loosely.** The dense layer prevents the direct heat radiation from overheating materials around the heater. The loose piling of stones in the middle lets the air flow through the heater, resulting in good heating of sauna and sauna stones.
- Do not drop stones into the heater.
- Do not wedge stones between the heating elements.
- Pile the stones so that they support each other instead of lying their weight on the heating elements.
- Support the heating elements with stones so that the elements stay vertically straight.
- Do not form a high pile of stones on top of the heater.
- No such objects or devices should be placed inside the heater stone space or near the heater


that could change the amount or direction of the air flowing through the heater.

 **A bare heating element can endanger combustible materials even outside the safety distances. Check that no heating elements can be seen behind the stones.**

#### 1.1.1. Maintenance

Due to large variation in temperature, the sauna stones disintegrate in use.


Rearrange the stones at least once a year or even more often if the sauna is in frequent use. At the same time, remove any pieces of stones from the bottom of the heater and replace any disintegrated stones with new ones. By doing this, the heating capability of the heater stays optimal and the risk of overheating is avoided.

 **Pay attention especially to the gradual settling of the stones. Be sure that the heating elements do not appear with time. The stones settle most rapidly within the first two months of piling.**

### 1.2. Heating of the Sauna

When operating the heater for the first time, both the heater and the stones emit smell. To remove the smell, the sauna room needs to be efficiently ventilated.

If the heater output is suitable for the sauna room, it will take about an hour for a properly insulated sauna to reach the required bathing temperature (▷ 2.3.). The sauna stones normally reach the bathing temperature at the same time as the sauna room. A suitable temperature for the sauna room is about 149–167 °F (65–75 °C).

 **Before switching the heater on always check that there isn't anything on top of the heater or inside the given safety distance.**

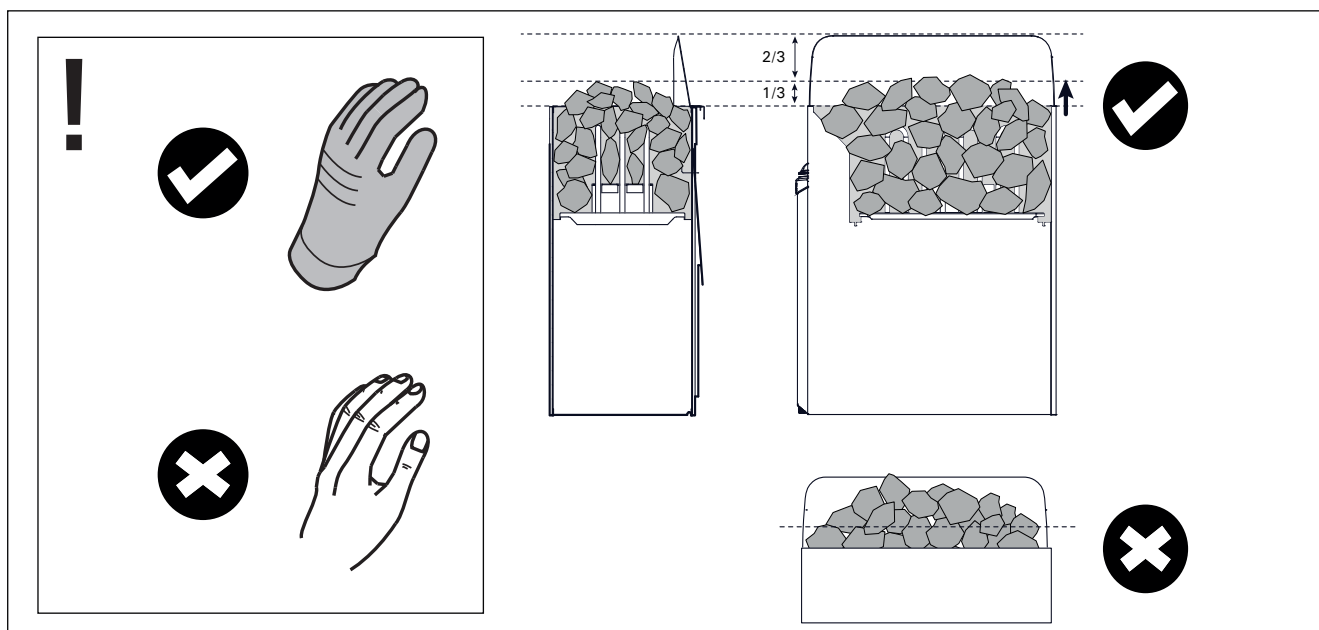


Figure 1. Piling of the Sauna Stones

Water properties	Effect	Recommendation
Humus concentration	Colour, taste, precipitates	< 12 mg/l
Iron concentration	Colour, odour, taste, precipitates	< 0,2 mg/l
Manganese (Mn) concentration	Colour, odour, taste, precipitates	< 0,10 mg/l
Hardness: most important substances are magnesium (Mg) and lime, i.e. calcium (Ca)	Precipitates	Mg: < 100 mg/l Ca: < 100 mg/l
Chloride-containing water	Corrosion	Cl: < 100 mg/l
Chlorinated water	Health risk	Forbidden to use
Seawater	Rapid corrosion	Forbidden to use
Arsenic and radon concentration	Health risk	Forbidden to use

**Table 1. Water quality requirements**

### 1.3. Using the Heater

Heater models are equipped with a timer and a thermostat. The timer is for setting the on-time for the heater (1h) and the thermostat is for setting a suitable temperature (► 1.3.1.-1.3.4.)

#### 1.3.1. Heater On



Turn the timer knob clockwise to the "on" section (section A in figure 2, 0-1 hours). The heater starts heating immediately. Allow at least 30 minutes for sauna room to warm up to the average Sauna temperature.

#### 1.3.2. Pre-setting Time (timed switch-on)



To preset heating time, turn the timer knob clockwise to the preset section (section B in figure 2, 0-8 hours). The heater will turn on, when the preset time has passed and the timer has turned to the "on" section. The heater will stay on for approximately one (1) hour. The lights are lit also during the preset time.

*Example: You want to go walking for two and half hours and have a sauna bath after that. Turn the timer switch to the "pre-setting" section at number 2.*

*The timer starts. After two hours, the heater starts heating. Because it takes about half an hour for the sauna room to be heated, it will be ready for bathing after about two and half hours, that is, when you come back from your walk.*

#### 1.3.3. Heater Off



The heater switches off, when the timer turns the switch back to zero. You can switch the heater off at any time by turning the timer switch to zero yourself. Switch the heater off after bathing. Sometimes it may be advisable to leave the heater on for a while to let the wooden parts of the sauna dry properly.

#### 1.3.4. Setting the Temperature

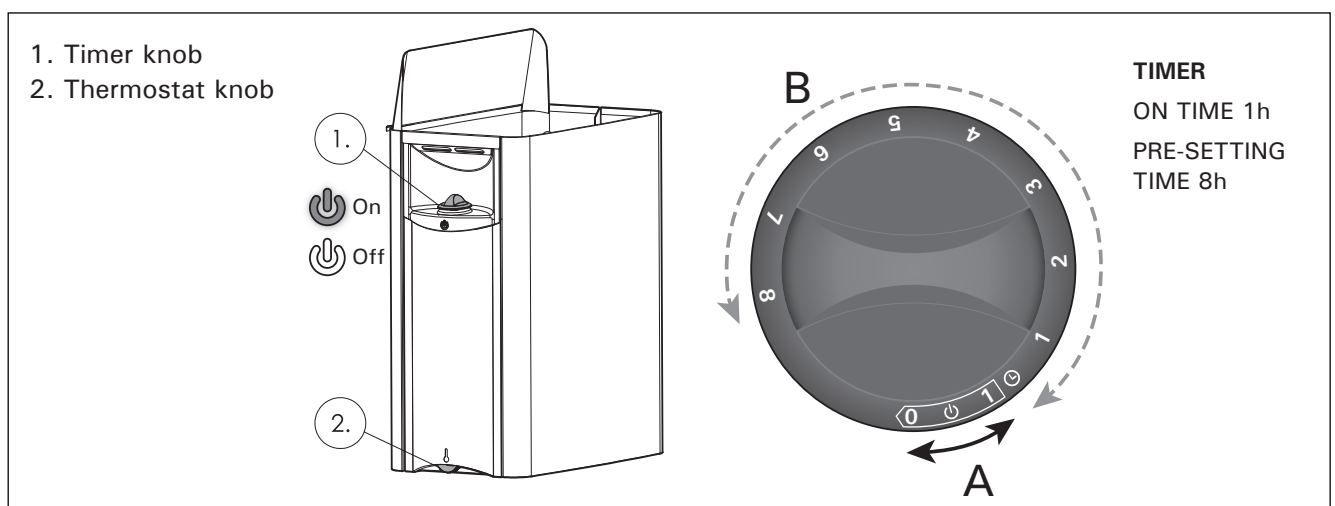
The purpose of the thermostat (figure 2) is to keep the temperature in the sauna room on a desired level. By experimenting, you can find the setting that suits you best.

*Begin experimenting at the maximum position. If, during bathing, the temperature rises too high, turn the switch counter-clockwise a little. Note that even a small difference within the maximum section will change the temperature of the sauna considerably.*

#### 1.4 Throwing Water on Heated Stones

The air in the sauna room becomes dry when warmed up. Therefore, it is necessary to throw water on the heated stones to reach a suitable level of humidity in the sauna. The effect of heat and steam on people varies – by experimenting, you can find the levels of temperature and humidity that suit you best.

You can adjust the nature of the heat from soft to sharp by throwing water either to the front of the heater or straight on top of the stones.



**Figure 2. Knobs**



The maximum volume of the ladle is 0,05 gal (0.2 litres). If an excessive amount of water is poured on the stones, only part of it will evaporate and the rest may splash as boiling hot water on the bathers. Never throw water on the stones when there are people near the heater, because hot steam may burn their skin.

The water to be thrown on the heated stones should meet the requirements of clean household water (table 1). Only special aromas designed for sauna water may be used. Follow the instructions given on the package.

### 1.5. Instructions for Bathing

- Begin by washing yourself.
- Stay in the sauna for as long as you feel comfortable.
- Forget all your troubles and relax.
- According to established sauna conventions, you must not disturb other bathers by speaking in a loud voice.
- Do not force other bathers from the sauna by throwing excessive amounts of water on the stones.
- Cool your skin down as necessary. If you are in good health, you can have a swim if a swimming place or pool is available.
- Wash yourself after bathing.
- Rest for a while and let your pulse go back to normal. Have a drink of fresh water or a soft drink to bring your fluid balance back to normal.

### 1.6. Troubleshooting



**All service operations must be done by professional licensed maintenance personnel.**

#### The heater does not heat.

- Check that the breakers to the heater are in good condition.
- Check that the connection cable is connected.
- Check that the overheat protectors have not gone off.
- Check that the breaker is switched on. Also, breaker should be correct size.

**The sauna room heats slowly. The water thrown on the sauna stones cools down the stones quickly.**

- Check that the breakers to the heater are in good condition.
- Check that all heating elements glow when the heater is on.
- Turn the temperature to a higher setting.
- Check that the heater output is sufficient (▷ 2.3.).
- Check that the sauna room ventilation has been arranged correctly (▷ 2.4.).

**The sauna room heats quickly, but the temperature of the stones remain insufficient.**

**Water thrown on the stones runs through.**

- Check that the heater output is not too high (▷ 2.3.).
- Check that the sauna room ventilation has been arranged correctly (▷ 2.4.).

**Panel or other material near the heater darkens quickly.**

- Check that the requirements for safety distances are fulfilled (▷ 3.2.).
- Check the sauna stones (▷ 1.1.). Too tightly piled stones, the settling of stones with time or wrong stone type can hinder the air flow through the heater, which may result in overheating of surrounding materials.
- Check that no heating elements can be seen behind the stones. If heating elements can be seen, rearrange the stones so that the heating elements are covered completely (▷ 1.1.).
- Also see section 2.1.2.

**The heater emits smell.**

- See section 1.2.
- The hot heater may emphasize odours mixed in the air that are not, however, caused by the sauna or the heater. Examples: paint, glue, oil, seasoning.

**The heater makes noise.**

- Occasional bangs are most likely caused by stones cracking due to heat.
- The thermal expansion of heater parts can cause noises when the heater warms up.

## 2. THE SAUNA ROOM

### 2.1. Insulation and Wall Materials of the Sauna Room

In an electrically heated sauna, all the massive wall surfaces which store plenty of heat (such as bricks, glass blocks, plaster etc.), must be sufficiently insulated in order to keep the heater output at a reasonably low level.

A wall and ceiling construction can be considered to have efficient thermal insulation if:

- the thickness of carefully fitted insulating wool inside the structure is 4" (100 mm) minimum 2" (50 mm).
- the moisture protection consists of e.g. aluminium paper with tightly taped edges. The paper must be fitted so that the glossy side is towards the inside of the sauna.
- there is a 1/4" (10 mm) vent gap between the moisture protection and panel boards (recommendation).
- the inside is covered by 1/2" – 5/8" (12–16 mm) thick panelling.
- there is a vent gap of a few millimetres at the top of the wall covering at the edge of the ceiling panelling.

When aiming at a reasonable heater output, it may be advisable to lower the ceiling of the sauna, (minimum height 75" (1900 mm)). As a result, the volume of the sauna is decreased, and a smaller heater output may be sufficient. The ceiling can be lowered so that the ceiling joists are fixed at a suitable height. The spaces between the joists are insulated (minimum insulation 4" (100 mm)) and surfaced as described above.

Because heat goes upwards, a maximum distance of 47" (1200 mm) is recommended between the bench and ceiling.

**NOTE! The protection of the walls or ceiling with heat protection, such as mineral board fitted directly on the wall or ceiling, may cause the temperature of the wall and ceiling materials to rise dangerously high.**

#### 2.1.1. Room construction – general information

##### FRAMING

2" x 4" (50 x 100 mm) any suitable wood material, 16" (406 mm) o.c.

##### CEILING HEIGHT

No higher than 7' 6" (2300 mm).

##### INSULATION

R11 Fiberglas with foil back in walls and ceiling, foil facing into room.

##### DRYWALL

See local codes. Is not required in most residences. See local codes for commercial. If drywall is used apply 1" x 2" (25 x 50 mm) nailers so that wall and ceiling boards can be attached to solid wood.

##### PANELING

Use kiln-dried softwood (with moisture content not exceeding 11 %).

##### BENCHES

Use matching softwood. Fasten from bottom to prevent burning of bathers.

##### DOOR

Must open out and should not have locking or latching system. Types of door fastenings that may be used are magnetic catches, friction catches, spring-loaded or gravity loaded door closers, and the like.

##### ROOM LIGHT

Should be a vapor proof, wall mounted type, with rough-in box mounted flush with inside paneling. It should be mounted 6" (150 mm) from ceiling, not directly over the sauna heater, and not over upper benches. It could be installed under benches. Light bulb should not exceed recommended watts of the light manufacturer.

Note! Receptacles OR PLUGS are not allowed in a Sauna room. If a speaker is installed in a Sauna room, it should not be installed higher than 3' (914 mm) from floor, away from the Sauna heater (consult manufacturer for ratings).

#### 2.1.2. Darkening of the Sauna Walls

It is perfectly normal for the wooden surfaces of the sauna room to darken in time. The darkening may be accelerated by

- sunlight
- heat from the heater
- protective agents on the walls (protective agents have a poor heat resistance level)

#### 2.2. Sauna Room Floor

Due to a large variation in temperature, the sauna stones disintegrate in use.

Small pieces of stone are washed down on the sauna room floor along with the water thrown on the rocks.

To prevent aesthetic damage only dark joint grouts and floor coverings made of rock materials should be used underneath and near the heater.

#### 2.3. Heater Output

When the walls and ceiling are covered with panels, and the insulation behind the panels is sufficient to prevent thermal flow into the wall materials, the heater output is defined according to the cubic volume of the sauna. See table 2.

Because log walls are heated slowly, the cubic volume of a log sauna should be multiplied by 1.5, and the heater output should then be selected on the basis of this information.

#### 2.4. Sauna Room Ventilation

Should be provided by lower vent close to heater, 4" (100 mm) from floor, and upper vent on opposite wall (if possible) 6" (150 mm) from ceiling or as low as 24" (600 mm) from floor. Vents should be adjustable and should allow air to change 5 times per hour. Sauna shall be provided with intended ventilation as required per the local code authorities. See figure 3.

**2.5. Hygienic Conditions of the Sauna Room**

Good hygienic standards of the sauna room will make bathing a pleasant experience.

The use of sauna seat towels is recommended to prevent sweat from flowing onto the platforms. The towels should be washed after each use. Separate towels should be provided for guests.

It is advisable to vacuum or sweep the floor of the sauna room in connection with cleaning. In addition, the floor may be wiped with a damp cloth.

The sauna room should be thoroughly washed at least every six months. Brush the walls, platforms and floor by using a scrubbing-brush and sauna cleanser. Then rinse the sauneroom by using clean household water. Remove lime stains from the heater using a 10% citric acid solution and rinse.

Wipe dust and dirt from the heater with a damp cloth.

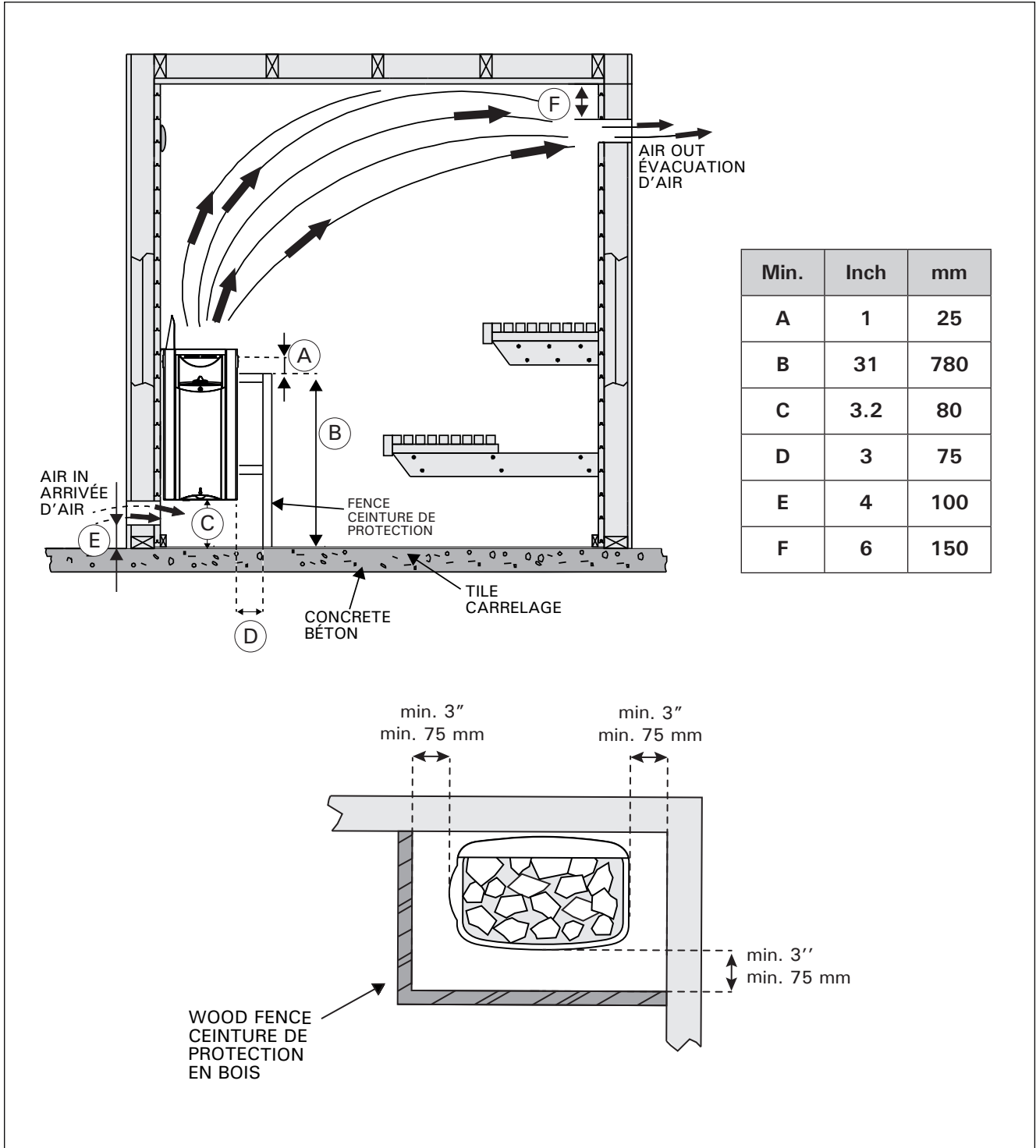


Figure 3. Ventilation of the sauna room and min. clearances from wall and fence



### 3. INSTRUCTIONS FOR INSTALLATION

#### 3.1. Prior to Installation

Prior to installing the heater, read all the instructions for installation (figure 7), as well as checking the following points:

- The heater volume should be suitable for the sauna room volume. Table 2 shows the minimum and maximum volumes for each heater output. A precondition for the given values is that the sauna room is well heatinsulated. Walls and ceiling are covered with wood panel.
- Check that supply voltage and amperages are available for the heater.
- The breakers and the connection cables conform with valid regulations and their dimensions are in accordance with table 3.
- The location is suitable for the heater (▷3.2.).
- » 3.7. **Resetting the Overheat Protectors**

**Note!** Only one electrical heater may be installed in the sauna room. The heater should be installed so that the warning texts can be read without difficulty after the installation.

#### 3.2. Place and Safety Distances

The minimum safety distances are described in figure 3 and 4.

- It is absolutely necessary to install the heater according to these values. Neglecting them causes a risk of fire.
- Hot pieces of stone can damage floor coverings and cause a risk of fire. The floor coverings of the installation place should be heat-resistant.

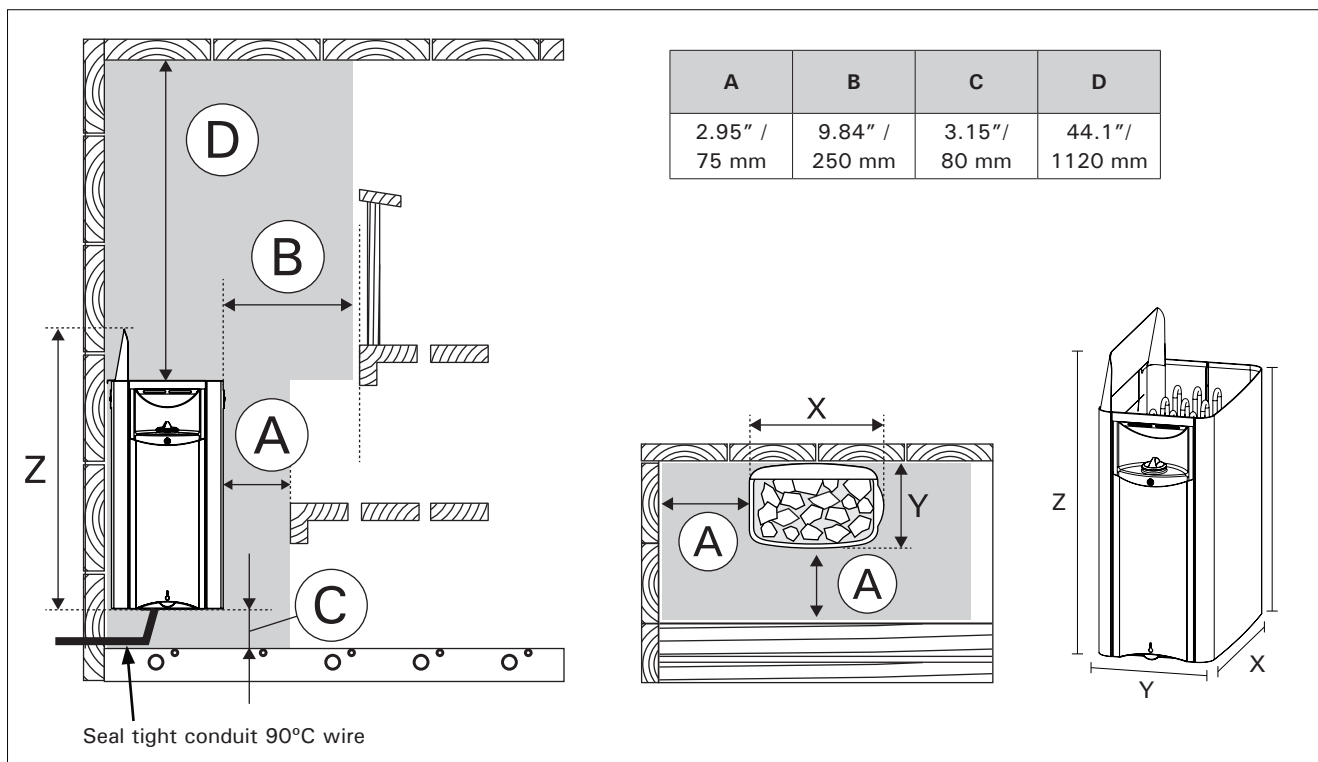


Figure 4. Minimum safety distances (all heater models).

Heater	Output	Dimensions (X/Y/Z)		Stones	Sauna room				
		Width/Depth/Height	Weight		Cubic vol.		Floor Area		Height
	kW	inch mm	lb/kg	max. lb/kg	▷2.3.!				min. inch/ mm
HSWS6U1B	6.0	17 / 10,2 / 27,6	32 /	44 /	min.	max.	28	47	75 /
HSWS6U3B		430 / 260 / 700	14,3	20	CuFt/m <sup>3</sup>	CuFt/m <sup>3</sup>			
HSW6U1B					5	8			
HSW6U3B									
HSWS8U1B	8.0	17 / 10,2 / 27,6	32,5 /	44 /	min.	max.	28	69	75 /
HSWS8U3B		430 / 260 / 700	14,6	20	CuFt/m <sup>3</sup>	CuFt/m <sup>3</sup>			
HSW8U1B					5	12			
HSW8U3B									

Table 2. Installation details of the heater

### 3.3. Heater fence

It is necessary for safety and should be constructed of softwood to match sauna interior. See figures 3 and 4 for clearances from sauna heater. Fence should be attached to wall and should not be placed higher than top of heater below rock line.

### 3.4. Electrical Connections

The heater may only be connected to the electrical network in accordance with the current regulations by an authorised, licensed professional electrician.

The wiring diagrams are included in the control unit's installation instruction.

Further instructions concerning exceptional installations can be obtained from local electrical authorities.

1. Remove heater from carton and place in proper location in sauna room. Observe proper clearances as per figures 3 and 4. After final hook-up, electrical contractor should secure heater to its place with provided screws or bolts.
2. See applicable wiring diagram for heater model (figure 5). Heater must be permanently installed by using seal tight conduit between the heater and the wall of the sauna room (pigtails or plugs are not allowed in the sauna room). Wiring must be done by a licensed electrician, who must fol-

low wiring diagram provided and adhere to local codes. Use proper AWG rated wire size and use copper wire suitable for 194 °F (90 °C) within sauna walls. Use grounding terminals provided in sauna heater and control unit to properly ground the equipment as per NEC and local codes.

3. Inside the heater box there are two signs. Please place the metal "CAUTION" sign on the interior wall of the sauna room directly above the heater in a visible place (screws and nails included). Place the metal "WARNING" sign outside, on the door of the sauna room. "MAINTENANCE INSTRUCTIONS" are at the end of this manual.

### 3.5. Electric heater insulation resistance

When performing the final inspection of the electrical installations, a "leakage" may be detected when measuring the heater's insulation resistance. The reason for this is that the insulating material of the heating resistors has absorbed moisture from the air (storage, transport). After operating the heater for a few times, the moisture will be removed from the resistors.

**Do not connect the power feed for the heater through the RCD (residual current device)/GFI (Ground Fault Interrupter)!**

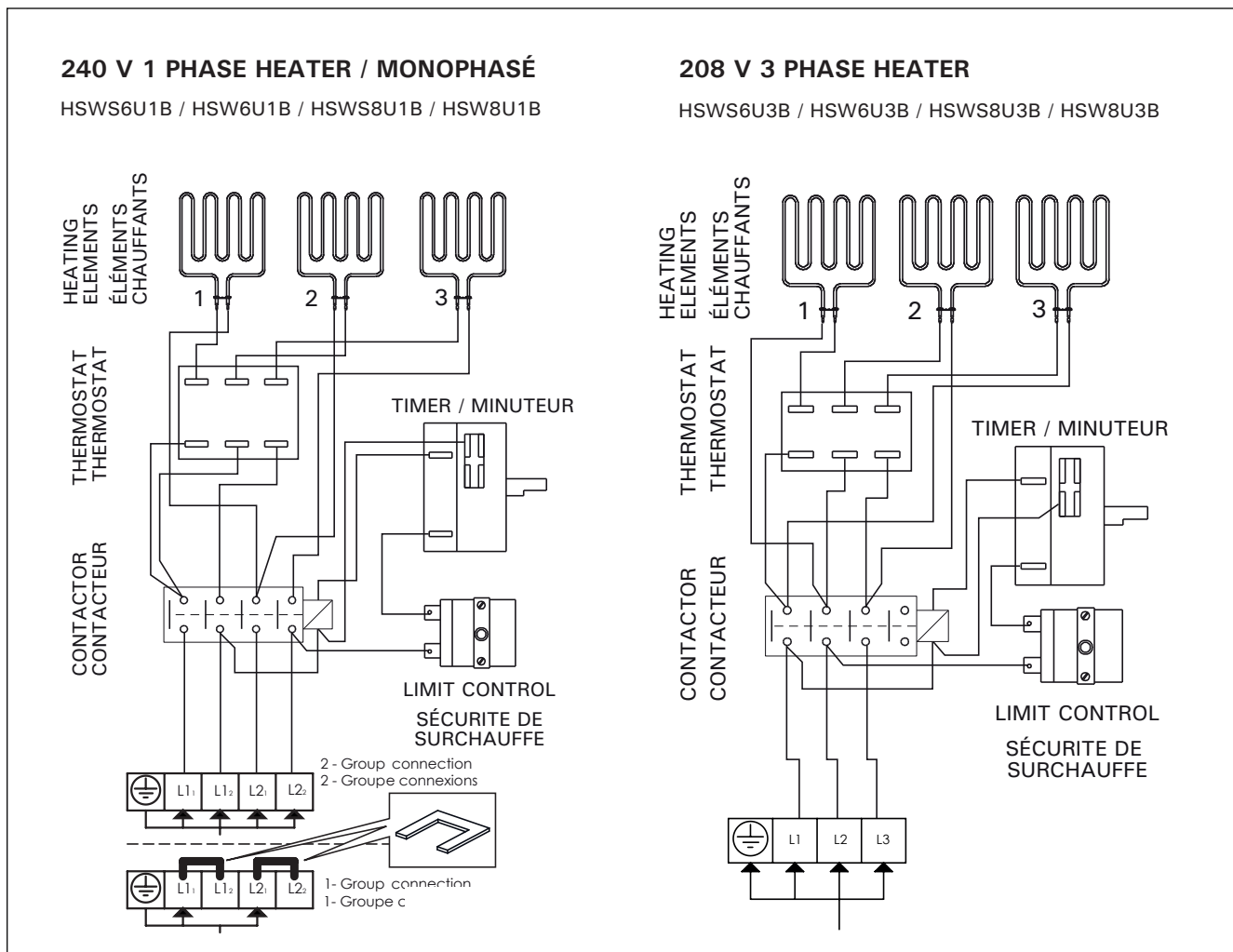


Figure 5. Electrical connections of the heater

Heater model	Input kW	Voltage	Frequency	Ph	Rated amperage		Min.90°C Copper supply wire AWG No.	
					1-Group connection	2-Group connection	1-Group connection	2-Group connection
HSWS6U1B	6.0 kW	240	60 Hz	1	25	16.7	10	12
HSWS6U3B		208		3	16.7	n/a	12	n/a
HSW6U1B		240		1	25	16.7	10	12
HSW6U3B		208		3	16.7	n/a	12	n/a
HSWS8U1B	8.0 kW	240	60 Hz	1	33.4	22.3	8	10
HSWS8U3B		208		3	22.2	n/a	10	n/a
HSW8U1B		240		1	33.4	22.3	8	10
HSW8U3B		208		3	22.2	n/a	10	n/a

Table 3. Supply wires

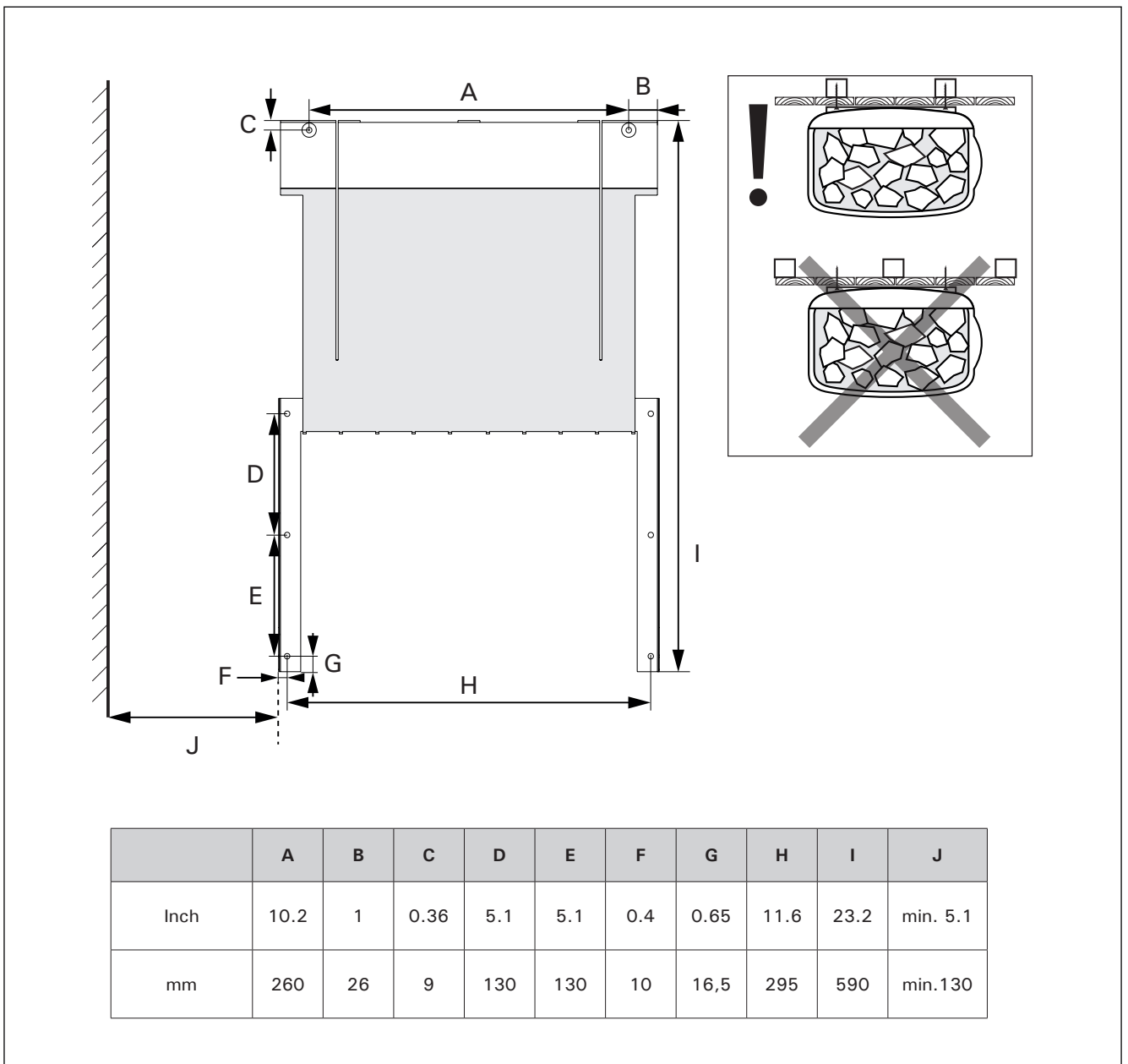
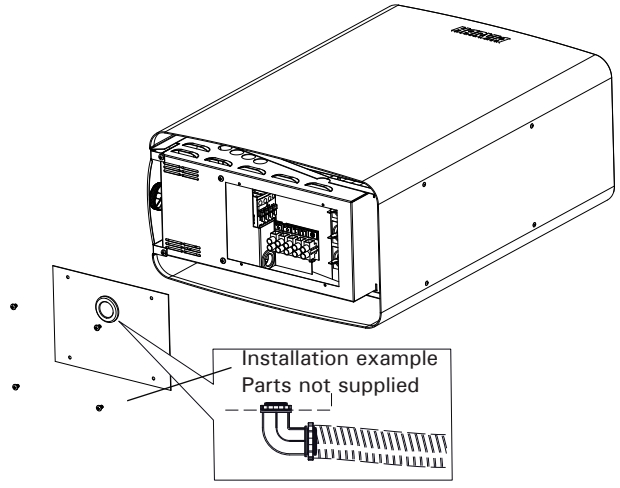
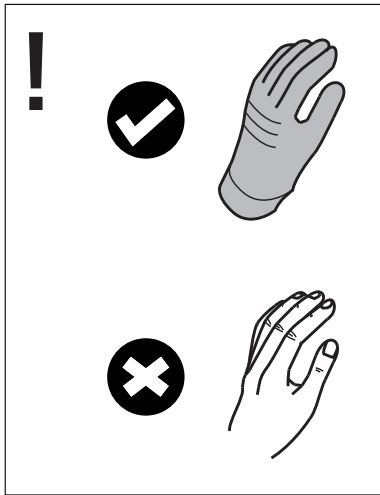
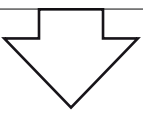
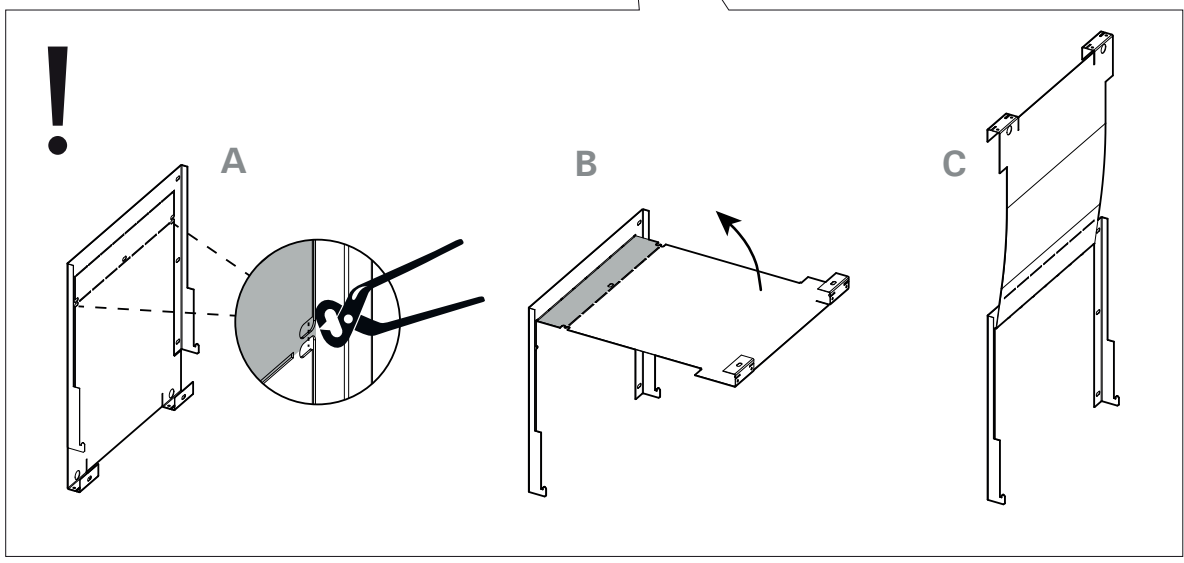
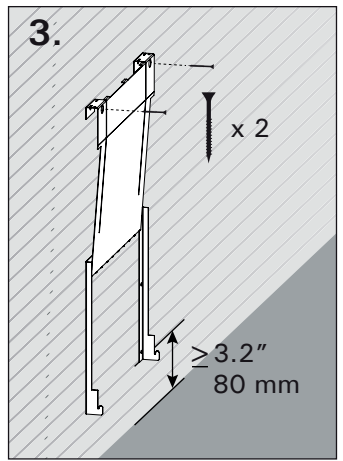
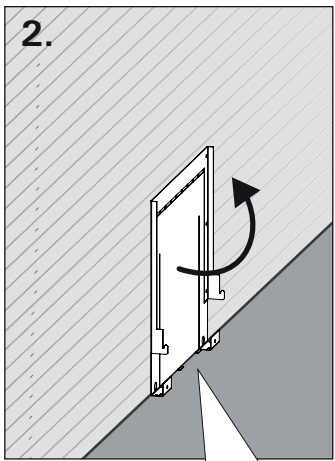
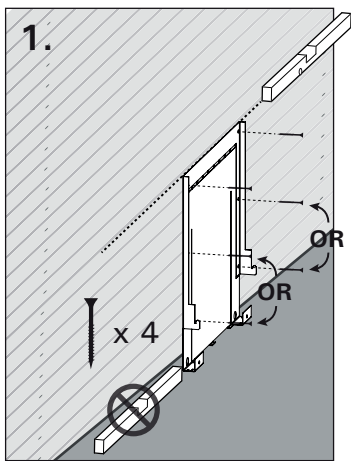


Figure 6. Wall mount.

1.



2.



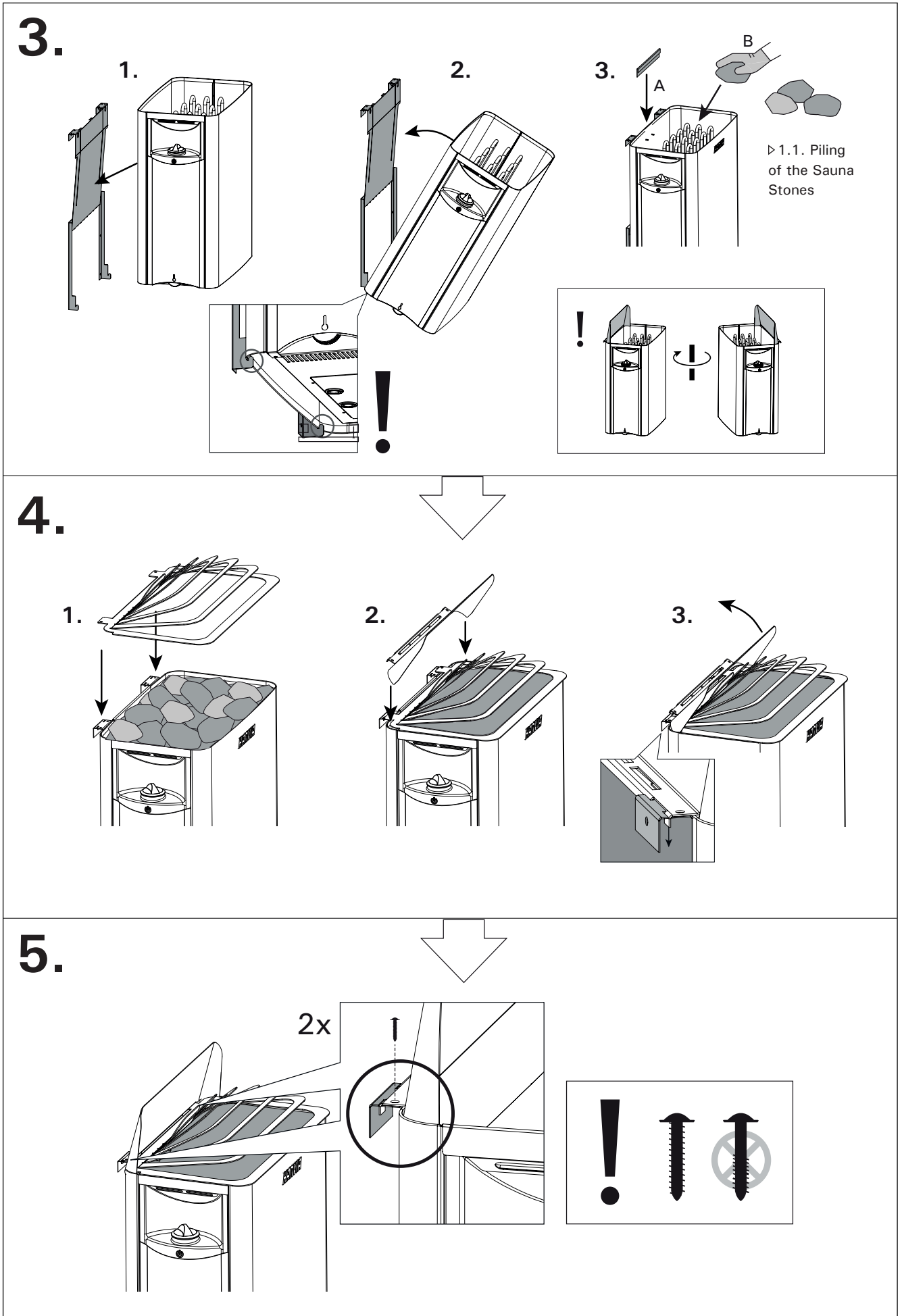


Figure 7. Installing the wall-mounting device (2.) and the heater (3.-5.)

### 3.6. Installing the Heater

See figure 6-7.

1. Connect the supply cable (fig. 7:1) to the heater.
2. Install the wall mount horizontally to the wall using suitable fasteners. Make sure that the heater is supported not only by the wall panel (figure 6). Take note of the floor's slope. Using the wall mount ensures the 80 mm safety distance.
3. Lift the heater into the mount and make sure it is centered (figure 7:3). Install mounting bracket (A) and pile the sauna stones (B) according to instructions (▷1.1.).
4. Install the safety guard (fig 7:4:1) and steam guide (7:4:2-3) to the heater and the wall mount.
5. Secure the heater to the wall mount by screwing two screws behind the steam guide (figure 7:5).

### 3.7. Resetting the Overheat Protectors

If the temperature of the sauna room becomes dangerously high, the overheat protector will permanently cut off the supply of the heater. The overheating protectors can be reset after the heater has cooled down. See figure 8. Please check that the stones are piled properly and the sensor is installed according to the installation instructions.

**!** The reason for overheating must be resolved before resetting the overheat protector!

**!** Overheat protector of the device can go off also at temperatures below  $-5^{\circ}\text{C}$  /  $23^{\circ}\text{F}$  (storage, transport, environment). Before installation take the device to the warm environment. The overheat protector can be reset when the temperature of the device is approx  $18^{\circ}\text{C}$  /  $64^{\circ}\text{F}$ . The overheat protector must be reset before using the device

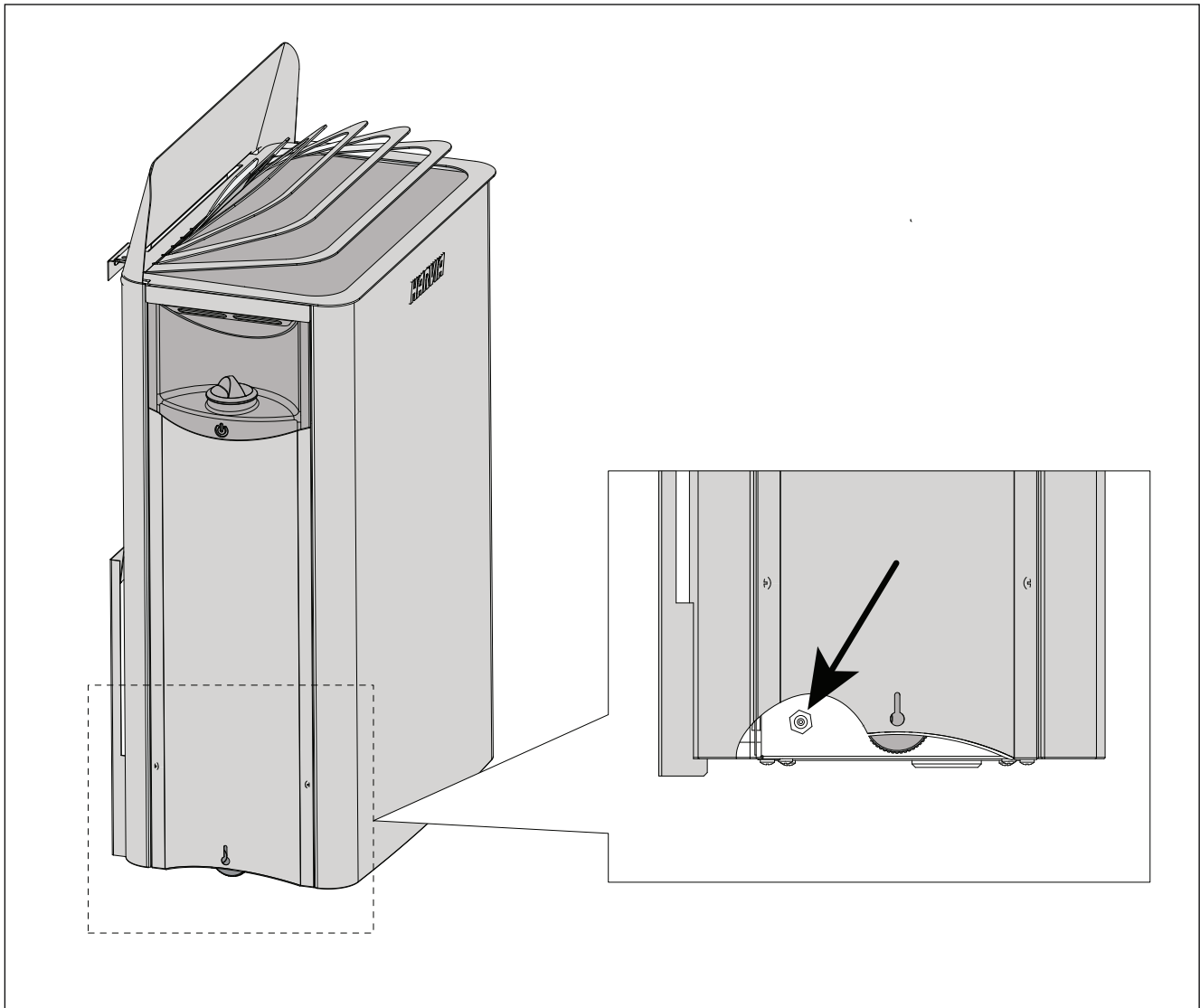
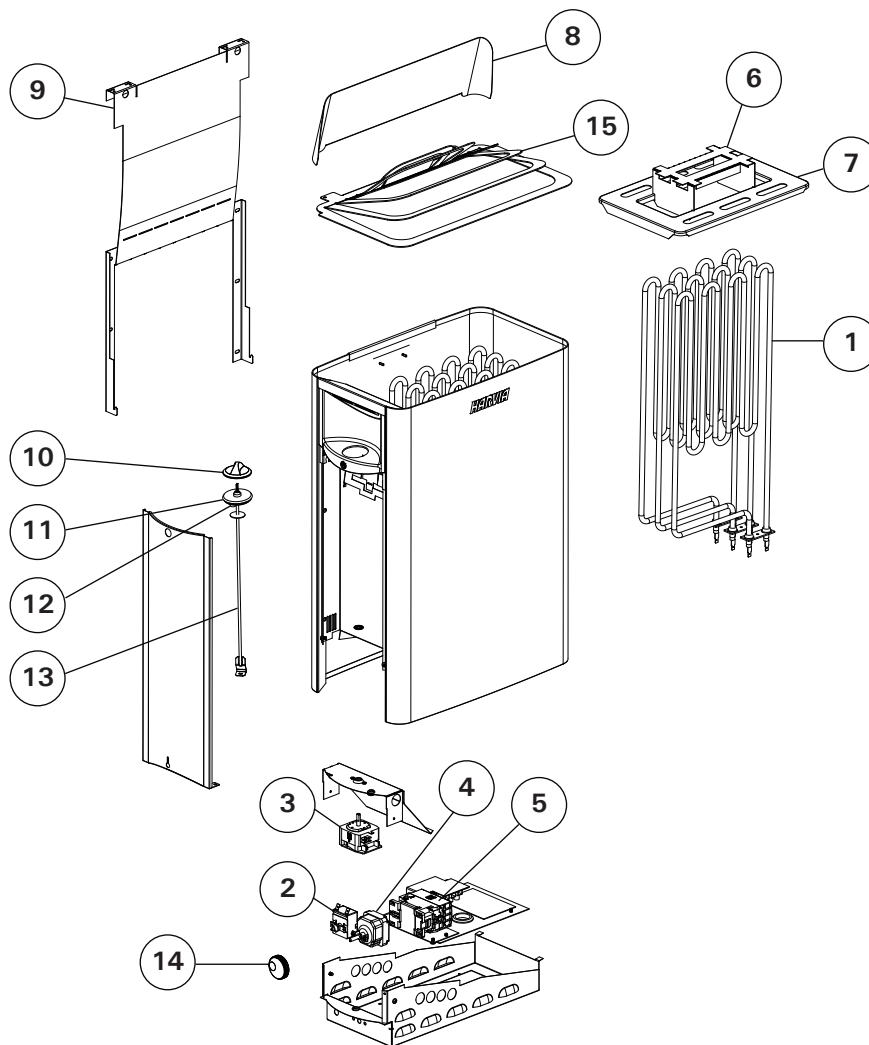


Figure 8. Reset button for overheat protector.

## 4. SPARE PARTS



1	Heating element 2000 W / 240 V	WXY10-0021	HSWS6U1B	3
			HSW6U1B	3
	Heating element 2650 W / 240 V; 2000 W / 208 V	WXY10-0020	HSWS8U1B	3
			HSW8U1B	3
			HSWS6U3B	3
			HSW6U3B	3
Heating element 2650 W / 208 V	WXY10-0022	HSWS8U3B	3	
		HSW8U3B	3	
2	Overheat protector	WXZSK-764		1
3	Timer	WXZSK-766		1
4	Thermostat	WXZSK-762		1
5	Contacteur	WXZSK-778		1
6	Element support	WXZWA-007		1
7	Grid	WXZWA-023		1
8	Steam guide	WXZWA-009		1
9	Wall mount	WXZWA-058		1
10	Timer knob	WXZWA-027		1
11	Axle inlet rubber seal	WXZWA-022		1
12	Indicator lights	WXZWA-145		1
13	Axle	WXZWA-016		1
14	thermostat knob	WXZWA-021		1
15	Safety guard	WXZWA-134		1

**Use only parts approved by the manufacturer!**

## LIRE ATTENTIVEMENT LES CONSIGNES D'UTILISATION AVANT LA MISE EN SERVICE DE L'APPAREIL.



### Avertissements

- Ne pas utiliser le sauna pour y faire sécher du linge sous peine de provoquer un incendie ou d'endommager les pièces électriques en raison de l'humidité excessive.
- Se tenir éloigné des pierres et des parties métalliques du poêle. Elles risquent de provoquer des brûlures.
- Ne pas projeter trop d'eau à la fois sur les pierres: la vapeur produite au contact des pierres est brûlante.
- Cet appareil n'est pas destiné à être utilisé par des personnes (y compris les enfants) ayant des handicaps physiques, sensoriels ou mentaux, ou un manque d'expérience, à moins qu'ils n'aient été informés de la manière d'utiliser l'appareil par une personne responsable de leur sécurité. Les enfants doivent être surveillés afin de s'assurer qu'ils ne jouent pas avec l'appareil.
- Les enfants, les handicapés et les personnes affaiblies ou en mauvaise santé doivent être accompagnés lors des séances de sauna.
- Les parents doivent veiller à ce que les enfants ne s'approchent pas trop près du poêle.
- Discuter avec un pédiatre de la participation éventuelle d'enfants en bas âge aux séances de sauna (âge, température du sauna, durée des séances ?)
- Toujours se déplacer avec la plus grande prudence, les bancs et le sol pouvant être glissants.
- Ne pas fumer, consommer d'alcool ou faire de l'exercice dans le sauna.
- Ne pas passer plus de 30 min de suite dans le sauna car une exposition excessive peut nuire à la santé. Le sauna ne doit pas être utilisé comme test d'endurance !
- Les personnes en mauvaise santé doivent consulter leur médecin avant d'utiliser le sauna !
- Ne pas placer de matériau combustible au-dessus du poêle (serviettes, maillots de bain, seau ou louche en bois) !
- L'hyperthermie se produit lorsque la température interne du corps dépasse de plusieurs degrés la température normale du corps (98,6 °F). Les symptômes d'hyperthermie incluent une hausse de la température interne du corps, des vertiges, la léthargie, la somnolence et l'évanouissement.

Les effets de l'hyperthermie incluent :

- A) l'insensibilité à la chaleur.
- B) l'indifférence au besoin de sortir de la cabine.
- C) l'inconscience du danger imminent.
- D) des lésions fatales chez les femmes enceintes.
- E) l'incapacité physique à sortir de la cabine.
- F) la perte de connaissance.

**AVERTISSEMENT :** La consommation d'alcool, de drogues ou de médicaments peut augmenter considérablement le risque d'hyperthermie mortelle.

- Utiliser uniquement de l'eau propre du robinet sur les pierres. Ne pas utiliser d'eau de piscine ou de spa car cela risquerait de dégager du chlore et d'endommager les résistances !
- L'air marin et humide est susceptible d'avoir une action corrosive sur les surfaces métalliques.
- En aucun cas ne placer dans le compartiment réservé aux pierres ou même à proximité immédiate, des objets et des appareils qui pourraient modifier la quantité et la direction de l'air circulant à travers le poêle, ceci pourrait causer un échauffement excessif des résistances et entraîner un risque d'incendie sur les parois du sauna!
- Ne pas utiliser le poêle sans pierres ou si les pierres ont été empilées de façon incorrecte. S'il est mal rempli, le compartiment à pierres risque de provoquer des incendies.



Attention aux surfaces chaudes !

Fonction du poêle électrique :

Le poêle électrique HSW est destiné à un usage domestique uniquement. Il est interdit d'utiliser le poêle à toute autre fin. La période de garantie d'un poêle électrique HSW est d'un an pour une utilisation familiale et de 3 mois pour une utilisation communautaire. Veuillez lire attentivement les instructions avant d'utiliser le poêle.

**IMPORTANT !**

Ces instructions d'installation et d'utilisation sont destinées au propriétaire du sauna ou à la personne répondant de l'entretien ainsi qu'à l'électricien réalisant l'installation du poêle.



## 1. MODE D'EMPLOI

### 1.1. Mise en place des pierres du poêle

L'empilement des pierres du poêle a un impact important sur le fonctionnement du poêle.

Informations importantes concernant les pierres du poêle :

- Le diamètre des pierres doit se situer entre 2 et 4" (5 et 10 cm).
- Utiliser uniquement des pierres angulaires fendues prévues pour être utilisées dans un poêle. La péridotite, l'olivine et la dolérite olivine sont des pierres adaptées.
- Ne jamais utiliser de « pierres » légères en céramique poreuse ou en stéatite molle dans le poêle. Elles n'absorbent pas suffisamment la chaleur et peuvent endommager les résistances.
- **Dépoussiérer les pierres avant de les empiler dans le poêle.**

Lors de la mise en place des pierres :

- **Il s'agit d'empiler les pierres de manière à former une couche épaisse contre la grille d'acier et d'empiler le reste des pierres sans trop les serrer.** La couche épaisse évite que le rayonnement direct de la chaleur ne surchauffe les matériaux qui se trouvent autour du poêle. Les pierres, empilées moins serrées au milieu, laissent passer un flux d'air à travers le poêle. Le sauna et les pierres sont ainsi mieux chauffés.
- Ne pas faire tomber de pierres dans le poêle.
- Ne pas coincer de pierres entre les résistances.
- Empiler les pierres de manière à ce qu'elles se soutiennent entre-elles plutôt que de reposer sur les résistances.
- Soutenir les résistances avec des pierres de manière à ce qu'elles restent verticales.
- Ne pas former de haute pile de pierres sur le poêle.
- Aucun objet susceptible de modifier la quantité ou la direction du flux d'air qui traverse le poêle

ne doit être placé à l'intérieur du compartiment à pierres du poêle ni à proximité de ce dernier.

**! Recouvrir entièrement les résistances de pierres. Une résistance non couverte risque d'endommager les matériaux combustibles, même à l'extérieur des distances de sécurité. Vérifier qu'aucune résistance n'est visible derrière les pierres.**

#### 1.1.1. Maintenance

Étant données les variations importantes de température, les pierres du poêle se désintègrent au fur et à mesure de leur utilisation.

Remettre les pierres en place au moins une fois par an, voire plus si le sauna est utilisé fréquemment. Dans le même temps, retirer tous les morceaux de pierre de la partie inférieure du poêle et remplacer toutes les pierres désintégrées par des neuves. Ainsi, la capacité de chauffage du poêle reste optimale et le risque de surchauffe est évité.

**! Prêter une attention particulière au tassement progressif des pierres. S'assurer que les résistances n'apparaissent pas avec le temps. Les pierres se tassent plus rapidement deux mois après leur empilement.**

#### 1.2. Chauffage du sauna

Pour éliminer les odeurs dégagées par le poêle et les pierres lors de la première utilisation, veiller à une bonne ventilation de la pièce du sauna.

Si la puissance du poêle est adaptée à la cabine de sauna, un sauna correctement isolé atteint la température adéquate en une heure environ (▷ 2.3.). Les pierres du poêle chauffent généralement à bonne température en même temps que le sauna. La température appropriée pour les séances de sauna se situe entre 149 et 167 °F (65 et 75 °C).

**! Avant la mise en marche du poêle, vérifier qu'aucun objet n'est posé dessus ou à proximité.**

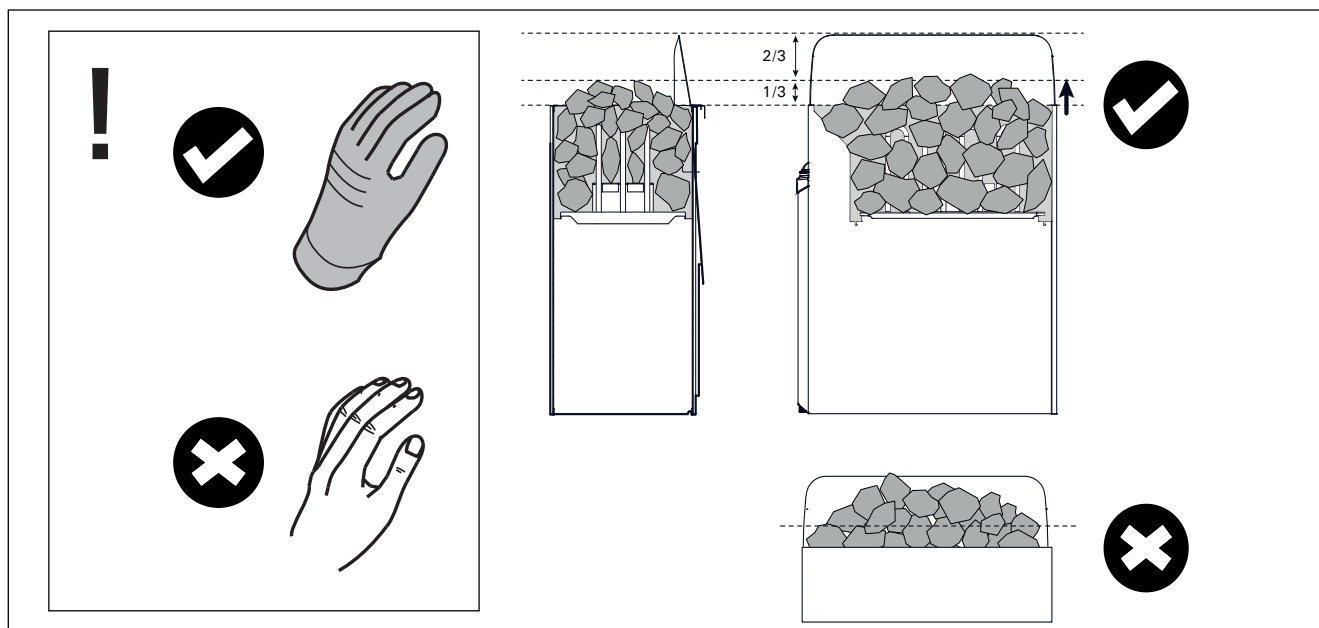


Figure 1. Mise en place des pierres du poêle

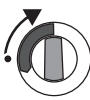
Propriétés de l'eau	Effets	Recommandations
Concentration d'humus	Couleur, goût, précipités	< 12 mg/l
Concentration en fer	Couleur, odeur, goût, précipités	< 0,2 mg/l
Concentration de manganèse (Mn)	Couleur, goût, précipités	< 0,10 mg/l
Dureté : les substances les plus importantes sont magnésium (Mg) et chaux, c'est-à-dire calcium (Ca)	Précipité	Mg: < 100 mg/l Ca: < 100 mg/l
Eau contenant du chlorure	Corrosion	Cl: < 100 mg/l
Eau chlorée	Risque pour la santé	Usage interdit
Eau de mer	Corrosion rapide	Usage interdit
Concentration d'arsenic et de radon	Risque pour la santé	Usage interdit

Tableau 1. Exigences en matière de qualité de l'eau


### 1.3. Utilisation du poêle

Les modèles de poêles sont équipés d'un interrupteur horaire et d'un thermostat. L'interrupteur horaire permet de régler la durée de fonctionnement du poêle (1h) et le thermostat de régler la température. 1.3.1.–1.3.4.

#### 1.3.1. Mise en route du poêle

 Tourner le bouton de l'interrupteur horaire dans le sens des aiguilles d'une montre sur la partie «marche» (section A de la figure 2, 0 à 1 heures).Le poêle commence à chauffer immédiatement. Laisser au moins 30 minutes pour que la salle de sauna chauffe à une température moyenne d'utilisation.


#### 1.3.2. Durée de pré-programmation (mise en route programmée)

 Pour pré-programmer l'heure de début du chauffage, tourner le bouton de l'interrupteur horaire dans le sens des aiguilles d'une montre jusqu'à la partie pré-programmation (section B de la figure 2, 0 à 8 heures). Le poêle démarrera après écoulement de la durée de pré-programmation et rotation de l'interrupteur horaire sur la partie « marche ». Le poêle fonctionnera pendant environ une (1) heure. L'éclairage reste également allumé pendant la durée de pré-programmation.


*Exemple : Vous voulez aller faire une promenade pendant deux heures et demie et faire un sauna après. Tournez le commutateur de minuterie à la section "pré-réglage" (pre-setting) jusqu'au numéro 2.*

La minuterie démarre. Après deux heures, le poêle commence à chauffer. Comme il faut environ une demi-heure pour que le sauna soit chauffé, il sera donc prêt à être utilisé après environ deux heures et demie, c'est-à-dire quand vous reviendrez de votre promenade.

#### 1.3.3. Arrêt du poêle

 Le poêle s'arrête lorsque l'interrupteur horaire revient sur zéro. Il est possible d'éteindre le poêle à tout moment en plaçant soi-même l'interrupteur horaire sur zéro.

Éteindre le poêle après la séance de sauna. Il est parfois conseillé de laisser le poêle en route pendant un certain temps pour faire sécher correctement les parties en bois de la cabine.

 **Vérifier toujours que le poêle s'est éteint et a arrêté de chauffer lorsque la minuterie a remplacé l'interrupteur horaire sur zéro.**

#### 1.3.4. Réglage de la température

Le thermostat (figure 2) sert à maintenir la température souhaitée dans la cabine de sauna. Procéder à des essais pour trouver le réglage qui convient le mieux.

*Commencer les essais sur la position maximale. Si, pendant la séance de sauna, la température augmente trop, tourner légèrement l'interrupteur dans le sens inverse des aiguilles d'une montre. Remarque : même un petit décalage par rapport à la partie maximale modifiera considérablement la température du sauna.*

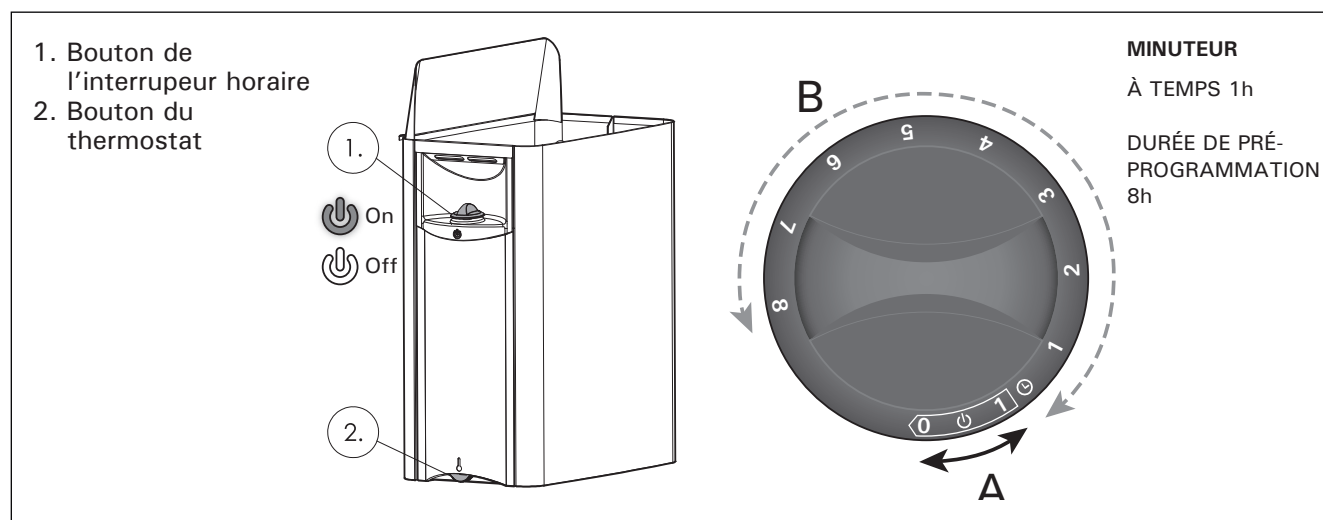


Figure 2. Boutons

#### 1.4. Projection de l'eau sur les pierres

L'air du sauna devient sec en chauffant. Pour obtenir une humidité convenable, il faut projeter de l'eau sur les pierres brûlantes du poêle. La chaleur et la vapeur produisent un effet différent d'une personne à l'autre – en procédant à des essais, on peut trouver le niveau de température et d'humidité qui convient le mieux.

Il est possible de générer une chaleur d'une nature douce ou intense, selon ses souhaits, en choisissant de verser de l'eau sur le devant du poêle ou directement au-dessus des pierres.



**La contenance de la louche utilisée ne doit pas excéder 0,05 gal (0.2 litres). Ne pas projeter ou verser une quantité d'eau plus importante en une seule fois. En effet, lors de l'évaporation, l'excédent d'eau bouillante pourrait éclabousser les personnes présentes dans le sauna. Veiller aussi à ne pas projeter d'eau sur les pierres lorsque quelqu'un se trouve à proximité du poêle, la vapeur bouillante risquant de causer des brûlures.**

**N'utiliser que de l'eau remplissant les exigences de qualité de l'eau domestique (tableau 1). Pour aromatiser la vapeur d'eau, n'utiliser que des essences prévues à cet effet. Suivre les consignes figurant sur l'emballage.**

#### 1.5. Conseils pour la séance de sauna

- Commencer la séance de sauna en se lavant.
- S'asseoir dans le sauna et profiter de la vapeur aussi longtemps que cela reste agréable.
- Oublier le stress et se détendre !
- Le code des bonnes manières dans un sauna préconise de ne pas déranger les autres par un comportement bruyant.
- Ne pas faire fuir les autres occupants en projetant une quantité excessive d'eau sur les pierres.
- Se rafraîchir la peau afin de la refroidir. Les personnes en bonne santé peuvent profiter d'une baignade rafraîchissante si cela est possible.
- Après la séance de sauna, se laver.
- Se reposer, puis se rhabiller. Boire un verre d'eau fraîche ou une boisson gazeuse pour rétablir son équilibre hydrique.

#### 1.6. Dépannage



**Toutes les opérations d'entretien doivent être réalisées par professionnel de la maintenance agréé.**

##### **Le poêle ne chauffe pas.**

- Vérifier que les fusibles du poêle sont en bon état.
- Vérifier que le câble de raccordement est branché.
- S'assurer que les sécurités surchauffe soient toujours en place.
- Vérifier que le circuit électrique est fermé au niveau du coupe-circuit. Le coupe-circuit doit aussi être de la bonne taille.

##### **La cabine de sauna chauffe doucement. L'eau versée sur les pierres du poêle refroidit trop rapidement.**

- Vérifier que les fusibles du poêle sont en bon état.
- Vérifier que toutes les résistances s'allument lorsque le poêle est allumé.
- Augmenter le réglage du thermostat.
- Vérifier que le poêle est suffisamment puissant (▷ 2.3.).
- Vérifier que la ventilation de la cabine de sauna est adaptée (▷ 2.4.).

##### **La cabine de sauna chauffe rapidement, mais la température des pierres reste insuffisante. L'eau versée sur les pierres passe à travers.**

- Vérifier que le poêle n'est pas trop puissant (▷ 2.3.).
- Vérifier que la ventilation de la cabine de sauna est adaptée (▷ 2.4.).

##### **Le panneau ou les autres matériaux proches du poêle noircissent rapidement.**

- Vérifier que les distances de sécurité sont respectées (▷ 3.2.).
- Vérifier les pierres du poêle (▷ 1.1.). Des pierres en piles trop serrées, le tassement progressif des pierres ou un type de pierres inadapté risquent de gêner le flux d'air qui traverse le poêle et ainsi d'entraîner la surchauffe des matériaux environnants.
- Vérifier qu'aucune résistance n'est visible derrière les pierres. Si les résistances sont visibles, remettre les pierres en place de manière à ce que les résistances soient totalement couvertes (▷ 1.1.).
- Voir également le paragraphe 2.1.2.

##### **Une odeur se dégage du poêle.**

- Voir le paragraphe 1.2.
- Lorsqu'il est chaud, le poêle peut accentuer les odeurs présentes dans l'air mais qui ne sont pas liées au sauna ni au poêle. Exemples : peinture, colle, graisse, assaisonnements..

##### **Le poêle émet du bruit.**

- Des détonations peuvent parfois se faire entendre ; elles sont vraisemblablement dues au craquement des pierres sous l'effet de la chaleur.
- La dilatation thermique des composants du poêle peut entraîner l'émission de bruits lorsque le poêle chauffe.

## 2. LE SAUNA

### 2.1. Isolation du sauna et matériaux muraux

Dans un sauna chauffé électriquement, les surfaces murales massives qui accumulent la chaleur (brique, émail, crépi ou équivalent) doivent être suffisamment isolées pour permettre l'utilisation d'un poêle de puissance raisonnable.

Un sauna est considéré bien isolé si la structure des murs et du plafond comporte :

- Une couche de laine isolante soigneusement appliquée d'une épaisseur de 4" (100 mm) minimum 2" (50 mm).
- Un matériau pare-vapeur, par exemple un papier aluminium, dont les joints sont soigneusement rendus étanches, apposé de façon que la surface brillante soit du côté intérieur du sauna
- Un espace de ventilation entre le revêtement en lambris et le pare-vapeur de 1/4" (10 mm) (recommandation).
- Comme revêtement mural, un lambris d'une épaisseur de 1/2" – 5/8" (12–16 mm) environ.
- Un espace de ventilation de quelques millimètres entre la partie supérieure du lambris mural et celui du plafond.

Pour pouvoir utiliser un poêle de puissance raisonnable, il peut être judicieux d'abaisser le plafond, (hauteur minimale 75" (1900 mm)). Cela diminue le volume du sauna et permet de choisir un poêle de puissance plus faible. L'abaissement du plafond se fait en ajustant la charpente à la hauteur désirée. L'espace vide formé par la charpente est isolé (épaisseur de l'isolant : min. 4" (100 mm)) et revêtu comme indiqué ci-dessus.

La chaleur ayant tendance à monter, la hauteur recommandée entre le banc et le plafond est de 47" (1200 mm).

**IMPORTANT ! La protection des murs ou du plafond (par exemple au moyen d'un panneau aggloméré avec liant minéral directement installé) peut provoquer une augmentation dangereuse de la température des murs ou du plafond.**

#### 2.1.1. Structure du sauna - informations d'ordre général

##### CADRE

2" x 4" (50 x 100 mm), 16" (406 mm) o.c.

##### HAUTEUR DU PLAFOND

Hauteur max. 7'6" (2300 mm)

##### ISOLATION

Fibre de verre R11 avec le pare-vapeur papier aluminium sur les murs et le plafond avec la surface brillante du papier soit vers l'intérieur du sauna.

##### PANNEAU DE PLACOPLÂTRE

Se reporter à la réglementation locale. N'est généralement pas exigée dans le cadre d'une utilisation domestique. Se reporter à la réglementation locale en cas d'utilisation commerciale. Si un panneau de Placoplâtre est installé, utiliser un fond de clouage de 1" x 2" (25 x 50 mm) afin de faciliter la fixation des planches des murs et du plafond.

##### REVÊTEMENT MURAL

Utilisez du bois séché au séchoir (avec une teneur en humidité inférieure à 11 %).

##### BANCS

Utilisez du bois assorti. Placez les fixations en dessous afin d'éviter que les utilisateurs du sauna se brûle.

##### PORTE

Doit s'ouvrir vers l'extérieur et être dépourvue de serrure. Les types de fixations de porte pouvant être utilisés sont les loquets magnétiques, les loquets à friction, les ferme-portes à ressort ou à gravité et autres.

##### LAMPE

Doit être étanche à la vapeur, montée au mur avec un boîtier de retenue monté dans l'alignement du revêtement mural intérieur. Elle doit être située à 6" (150 mm) du plafond au minimum et ne surplomber ni les bancs ni le poêle. L'ampoule ne devrait pas excéder les watts recommandés par le fabricant de la lampe.

**Important ! Aucune prise électrique n'est autorisée dans le sauna. Si un haut-parleur est installé dans le sauna, il ne doit pas être monté à plus de 3" (914 mm) du plancher et doit être éloigné du poêle (consulter le fabricant pour tous renseignements sur le calibrage).**

#### 2.1.2. Noircissement des murs du sauna

Avec le temps, il est tout à fait normal que les surfaces en bois de la cabine de sauna noircissent. Ce noircissement peut être accéléré par

- la lumière du soleil
- la chaleur du poêle
- les agents de protection appliqués sur les murs (les agents de protection présentent un faible niveau de résistance à la chaleur)

#### 2.2. Revêtement de sol du sauna

Du fait des importants changements de température, les pierres du poêle se détériorent et s'effritent avec le temps.

La vapeur d'eau débarrasse les pierres des particules et débris détachés en les entraînant vers le sol. Afin d'éviter les inconvénients esthétiques résultant de ces faits, il est conseillé d'utiliser au-dessous et tout autour du poêle un revêtement de sol de type minéral et des joints foncés.

#### 2.3. Puissance du poêle

Lorsque le revêtement des murs et du plafond est en lambris et que l'isolation se trouvant derrière est suffisante pour éviter les pertes de chaleur vers les matériaux des murs, la détermination de la puissance du poêle se fait d'après le volume du sauna. Se reporter au tableau 2.

Les murs d'un sauna en bois rond ou madriers chauffent lentement ;

il faut donc, lors de la détermination de la puissance du poêle, multiplier le volume par 1,5 et choisir la puissance correspondant à ce volume corrigé.

## 2.4. Ventilation de la cabine de sauna

Doit être assurée par une bouche d'aération basse située près du poêle à 4" (100 mm) du plancher et une bouche d'aération haute située sur la paroi opposée (si possible) à 6" (150 mm) du plafond ou à une hauteur minimale de 24" (600 mm) du plancher. Les bouches d'aération doivent être réglables et permettre de renouveler l'air 5 fois par heure. Le sauna doit être équipé du système d'aération requis par les autorités locales. Figure 3.

## 2.5. Hygiène du sauna

Pour que les séances de sauna soient agréables, il convient de veiller à l'hygiène de la pièce.

Nous recommandons l'usage de petites serviettes pour s'asseoir, afin que la transpiration ne coule pas

sur les bancs. Les serviettes doivent être lavées après chaque utilisation. Il est conseillé de donner aux invités leurs propres serviettes.

Lors du ménage hebdomadaire, il est bon d'aspirer/ de balayer le sol du sauna. Il est aussi recommandé de le laver avec un chiffon humide.

Au moins tous les six mois, le sauna doit être nettoyé à fond. Les murs, les bancs et le sol du sauna doivent être nettoyés avec une brosse et un produit nettoyant pour sauna. Puis rincez la cabine en utilisant de l'eau domestique propre. Éliminer les traces de chaux présentes sur le poêle à l'aide d'une solution d'acide citrique à 10 % et rincer.

Enlever la poussière et la saleté du poêle à l'aide d'un chiffon humide.

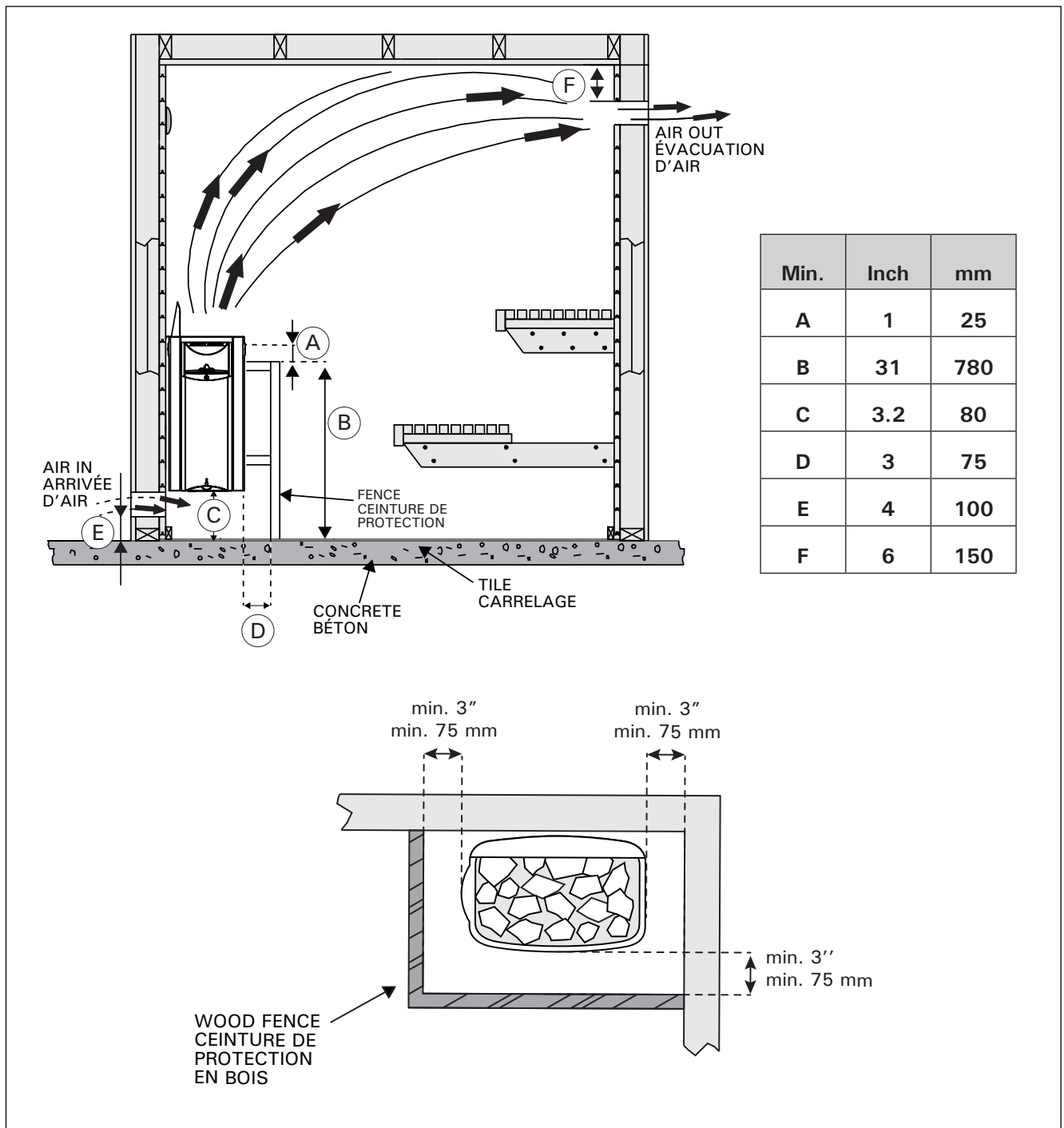


Figure 3. Ventilation de la cabine de sauna et dégagements min. entre la paroi et la ceinture de protection

### 3. INSTRUCTIONS D'INSTALLATION

#### 3.1. Avant l'installation

Avant d'installer le poêle, lisez soigneusement les instructions d'installation (illustration 7), et vérifiez les points suivants :

- Le volume du poêle doit être adapté pour le volume de la cabine. Le tableau 2 recense les volumes minimum et maximum indicatifs pour chaque puissance de poêle. Condition préalable aux valeurs données : la cabine doit être bien isolée contre la chaleur. Les murs et le plafond sont garnis de lambris.
- Vérifiez que la tension d'alimentation et les ampérages soient disponibles pour le poêle.
- Les fusibles et les câbles de raccordement respectent les réglementations valides et leurs dimensions sont conformes au tableau 3.
- L'emplacement est adapté au poêle (▷ 3.2.).
- **Remarque ! Un seul poêle électrique doit être installé dans la cabine de sauna. Le poêle doit être installé de sorte que les textes d'avertissement soient facilement lisibles après installation.**

- » 3.7. Réinitialisation de la sécurité surchauffe

#### 3.2. Emplacement et distances de sécurité

Les distances de sécurité minimales sont décrites sur la figure 3 et 4.

- **Il est absolument obligatoire de respecter ces valeurs lors de l'installation du poêle. Dans le cas contraire, il existe un risque d'incendie.**
- **Les morceaux de pierre chaude peuvent endommager les revêtements de sol et entraîner un risque d'incendie.** Les revêtements de sol à l'emplacement du poêle doivent être résistants à la chaleur.

#### 3.3. Ceinture de protection du poêle

Pour des raisons de sécurité, elle est nécessaire et devrait être en bois tendre assorti à la décoration intérieure du sauna. Voir les illustrations 3–4 pour connaître le dégagement nécessaire autour du poêle. La ceinture doit être fixée à la paroi et ne doit pas dépasser le haut du poêle au-dessous du niveau des pierres.

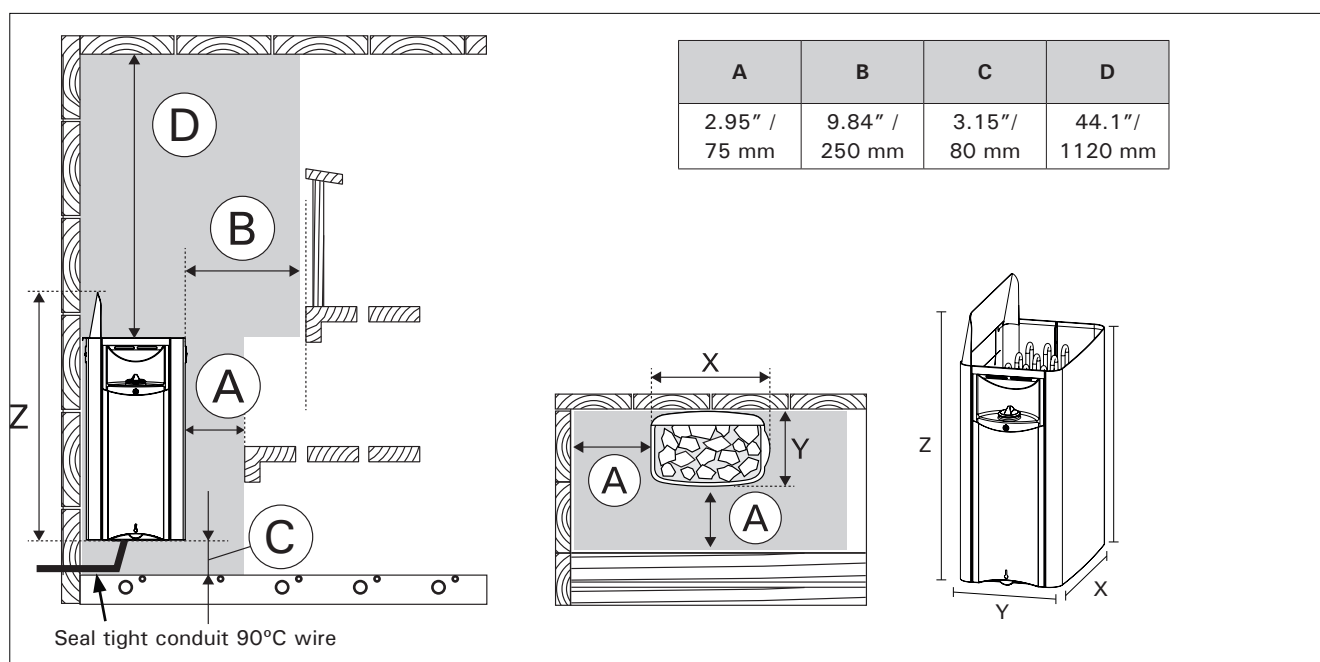


Figure 4. Distances de sécurité minimum (Tous les modèles).

Poêle	Puissance	Dimensions (X/Y/Z)		Pierres	Cabine du sauna				
		Largeur/profondeur/hauteur	Poids		Volume		Superficie		Hauteur
					▷ 2.3.!				
		inch mm	lb/kg	max. lb/kg	min. CuFt/m <sup>3</sup>	max. CuFt/m <sup>3</sup>	min sqft	max sqft	min. inch/ mm
HSWS6U1B	6.0	17 / 10,2 / 27,6	32 /	44 /	177 /	294 /	28	47	75 /
HSWS6U3B		430 / 260 / 700	14,3	20	5	8			
HSW6U1B									
HSW6U3B									
HSWS8U1B	8.0	17 / 10,2 / 27,6	32,5 /	44 /	177/	431 /	28	69	75 /
HSWS8U3B		430 / 260 / 700	14,6	20	5	12			
HSW8U1B									
HSW8U3B									

Tableau 2. Données d'installation du poêle.

### 3.4. Raccordement électrique

Le raccordement du poêle au secteur ne doit être réalisé que par un électricien professionnel et conformément aux règlements en vigueur.

Les schémas de câblage sont compris dans les instructions d'installation du centre de contrôle.

En cas d'installation non standard, des informations supplémentaires peuvent être obtenues auprès des autorités locales compétentes.

- Sortez le poêle du carton et posez-le à un emplacement approprié dans la cabine du sauna. Respectez les dégagements indiqués dans les figures 4 et 5. Après la connexion finale, l'électricien doit fixer le poêle à sa place avec les vis ou boulons fournis.
- Voir le schéma de câblage correspondant au modèle de poêle (voir fig. 7). Le poêle doit être installé de manière permanente en utilisant une conduite hermétique entre le poêle et le mur de la cabine (les marettes de raccord ou prises de courant mâle ne sont pas autorisés dans la cabine). Le câblage doit être effectué par un électricien agréé qui doit suivre le schéma de câblage fourni et respecter les codes locaux. Utilisez du fil de cuivre du bon calibre pouvant résister à une température de 194 °F (90 °C) à l'intérieur des murs du sauna. Utilisez les bornes de terre prévues sur

le poêle du sauna et le centre de contrôle pour mettre l'équipement à la terre conformément au code national de l'électricité et aux codes locaux.

- La boîte du poêle contient deux écriteaux. Placer l'écriteau « CAUTION » sur le mur intérieur de la cabine du sauna, bien en évidence au-dessus du poêle (vis et clous inclus). Placer l'écriteau métallique « WARNING » à l'extérieur, sur la porte de la cabine. Vous trouverez les « INSTRUCTIONS D'ENTRETIEN » à la fin de ce manuel.

### 3.5. Résistance d'isolation du poêle électrique

Lors de l'inspection finale des installations électriques, il est possible que la mesure de la résistance d'isolation du poêle révèle une « fuite », due à l'humidité ambiante qui a pu pénétrer dans la matière isolante des résistances de chauffage (pendant l'entreposage/transport). L'humidité disparaîtra des résistances quand le sauna aura été chauffé deux ou trois fois.

**⚠ Ne pas raccorder l'alimentation du poêle électrique au disjoncteur différentiel!**

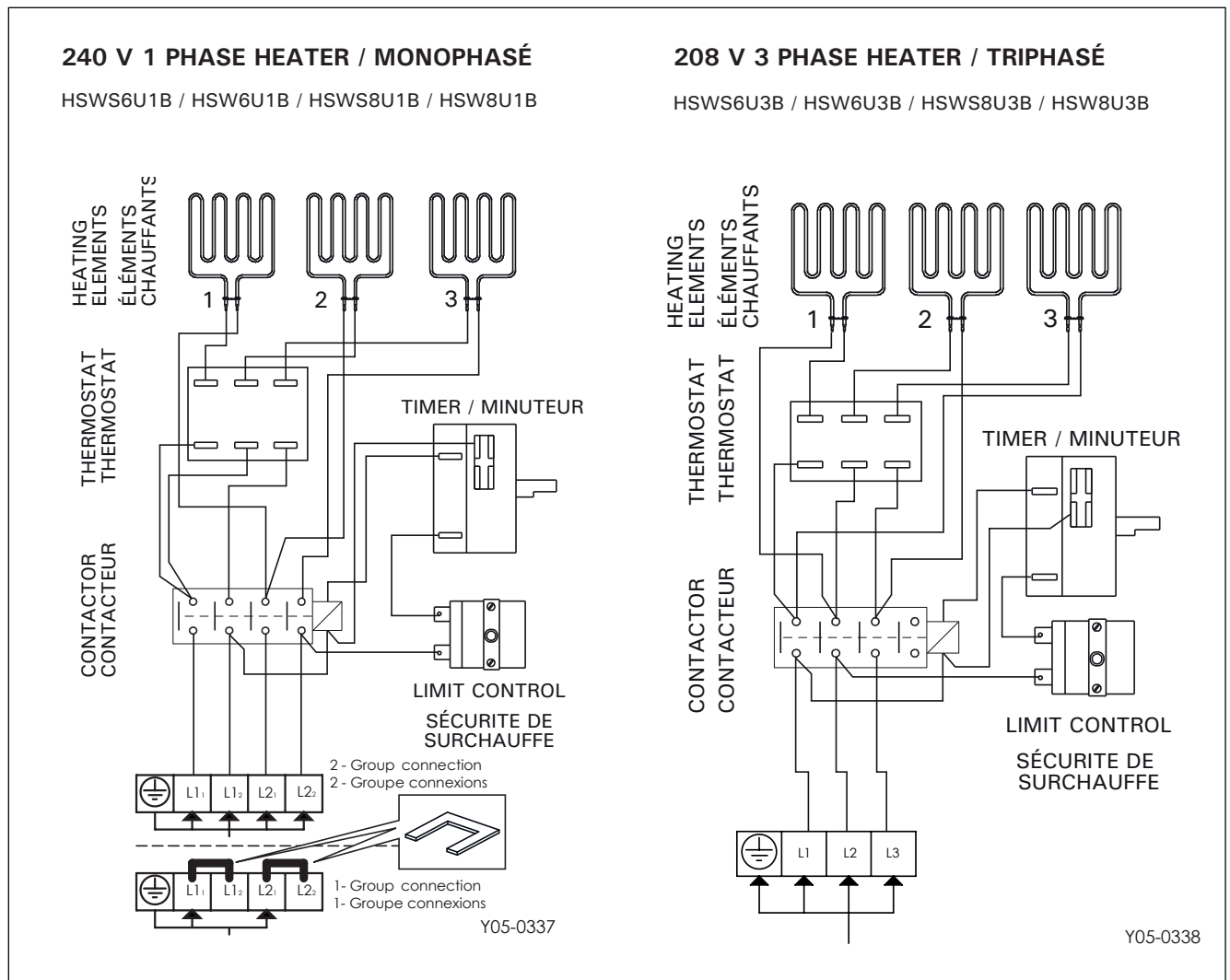


Figure 5. Connexions électriques de poêle.

Modèle	Consommation en kW	Tension	La fréquence	Ph	Intensité de courant		Min. 90°C Câble d'alimentation en cuivre de calibre AWG no	
					1-Group connexion	2-Group connexion	1-Group connexion	2-Group connexion
HSWS6U1B	6.0 kW	240	60 Hz	1	25	16.7	10	12
HSWS6U3B		208		3	16.7	n/a	12	n/a
HSW6U1B		240		1	25	16.7	10	12
HSW6U3B		208		3	16.7	n/a	12	n/a
HSWS8U1B	8.0 kW	240	60 Hz	1	33.4	22.3	8	10
HSWS8U3B		208		3	22.2	n/a	10	n/a
HSW8U1B		240		1	33.4	22.3	8	10
HSW8U3B		208		3	22.2	n/a	10	n/a

Tableau 3. Câbles d'alimentation.

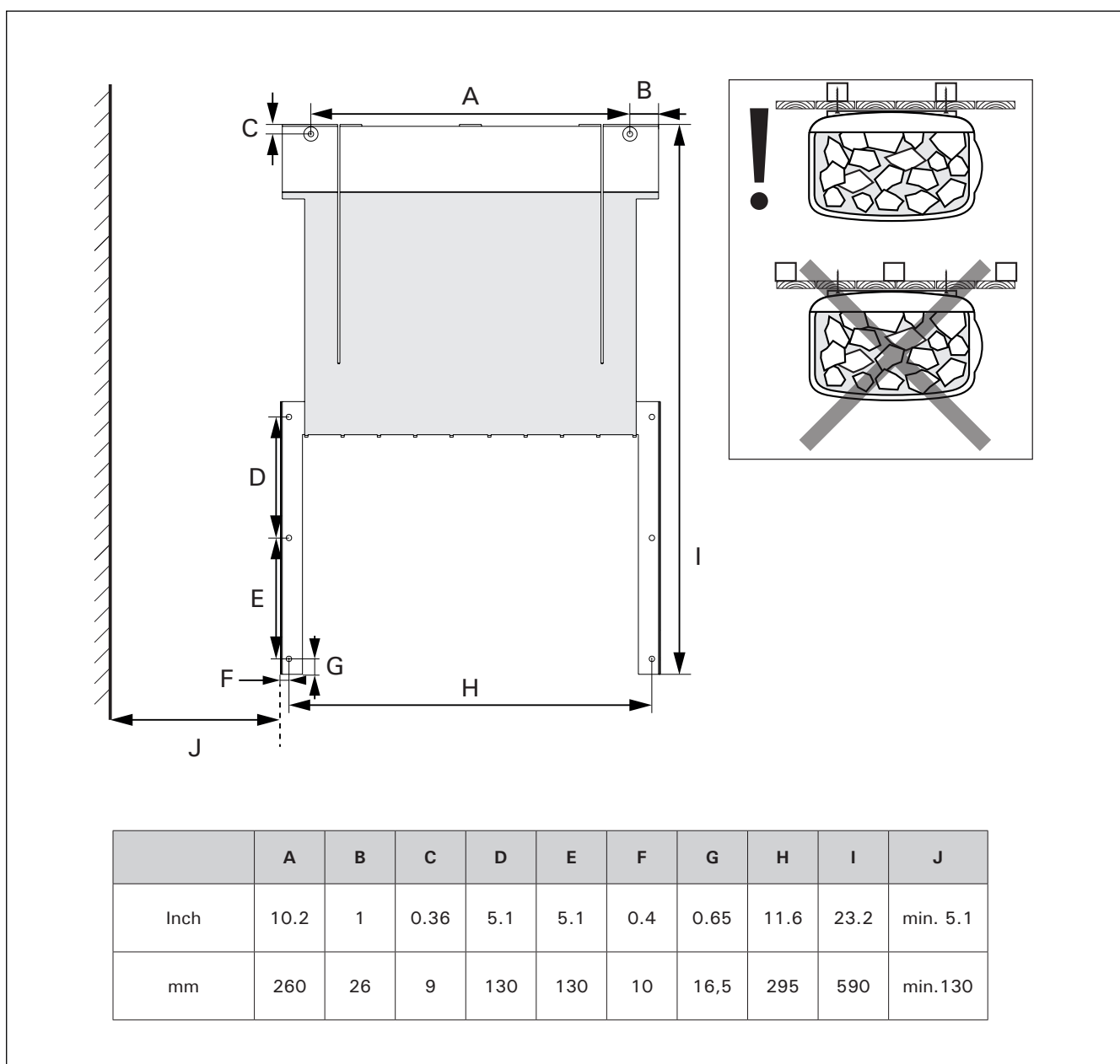
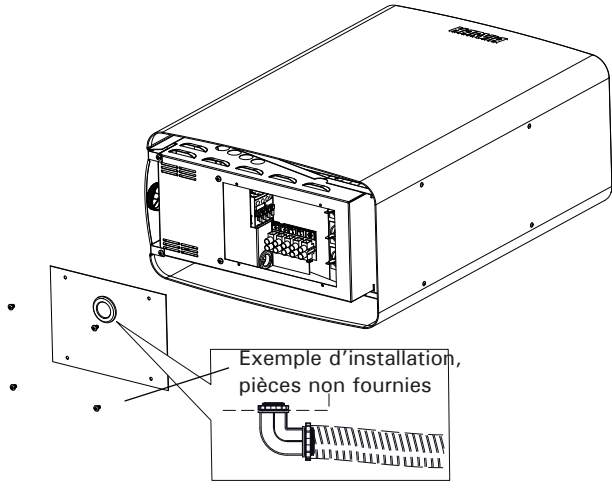
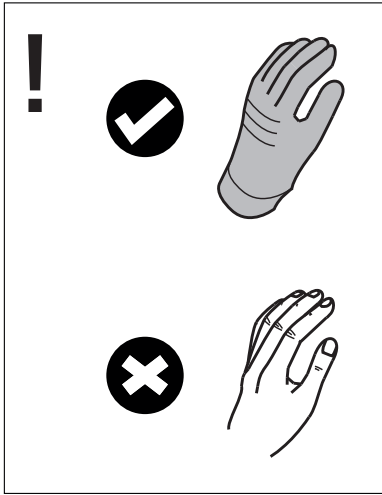


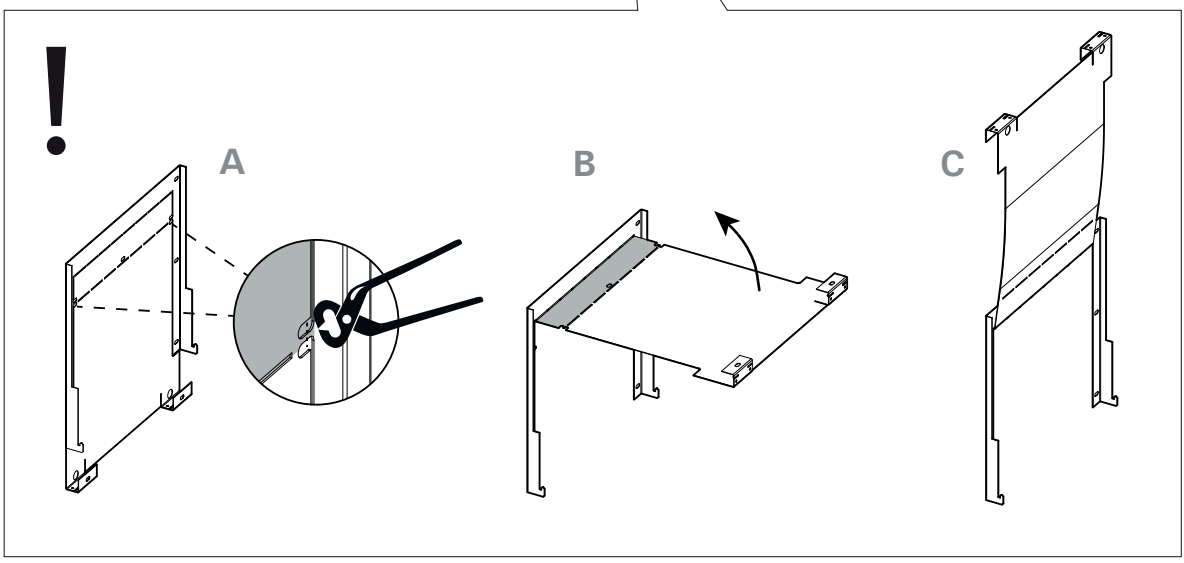
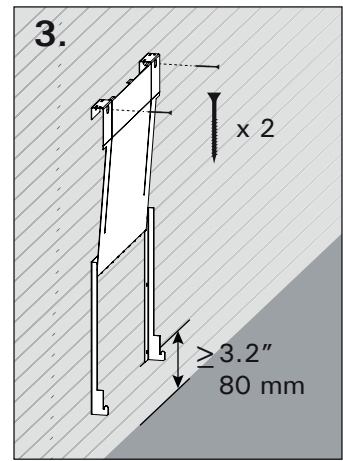
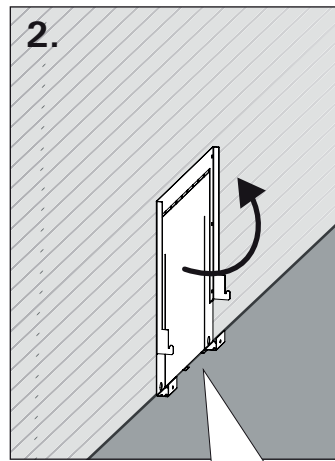
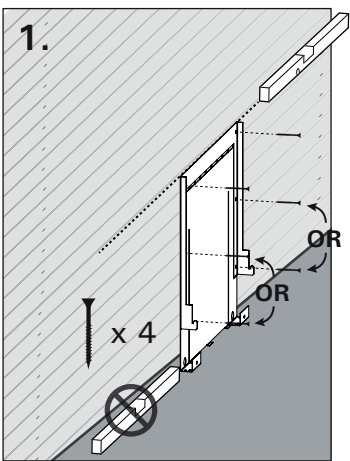
Figure 6. Support mural.



1.



2.



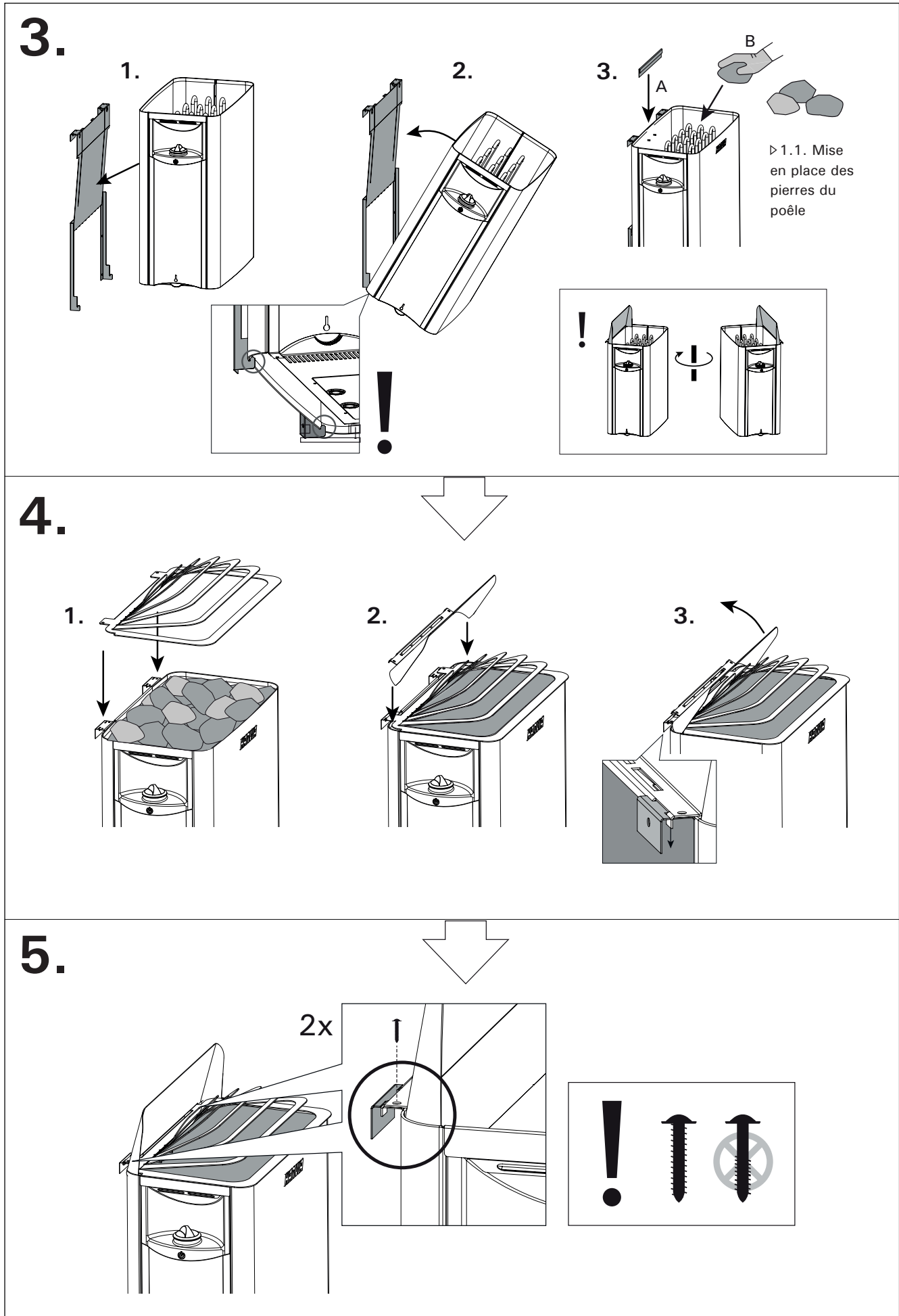


Figure 7. Installation du support mural. (2.) and the heater (3.-5.).

### 3.6. Installation du poêle

See figure 6-7.

1. Raccorder le câble d'alimentation (fig. 7:1) au poêle.
2. Installer le support mural horizontalement sur le mur à l'aide de fixations adaptées. S'assurer que le poêle n'est pas soutenu uniquement par le lambris (figure 6). Tenir compte de l'inclinaison du sol. L'utilisation du support mural garantit la distance de sécurité de 80 mm.
3. Soulevez le radiateur dans le support et assurez-vous qu'il est centré (figure 7:3). Installez le support de montage (A) et posez les pierres du sauna (B) conformément aux instructions.
4. Installez la protection de sécurité (fig 7:4:1) et le guide vapeur (7:4:2-3) au poêle et au support mural.
5. Fixer le poêle sur le support mural en serrant deux vis derrière le guide de vapeur (figure 7:5).

### 3.7. Réinitialisation de la sécurité surchauffe

Si la température de la cabine de sauna devient dangereusement élevée, la sécurité-surchauffe coupe définitivement l'alimentation du poêle. Il est possible de remettre la sécurité-surchauffe à zéro lorsque le poêle a refroidi. Voir figure 9. Veuillez vérifier que les pierres soient correctement empilées et que le capteur soit installé conformément aux instructions d'installation. Se reporter également aux instructions d'installation relatives au centre de contrôle.

**!** La cause de la surchauffe doit être éliminée avant la réinitialisation de la sécurité -surchauffe!

**!** La sécurité-surchauffe de l'appareil peut également se déclencher à des températures inférieures à  $-5\text{ }^{\circ}\text{C}$  /  $23\text{ }^{\circ}\text{F}$  (stockage, transport, environnement). Avant l'installation, placez l'appareil dans un endroit chaud. La sécurité-surchauffe peut être réinitialisée quand la température de l'appareil se situe à env.  $18\text{ }^{\circ}\text{C}$  /  $64\text{ }^{\circ}\text{F}$ . La sécurité-surchauffe doit être réinitialisée avant d'utiliser cet appareil.

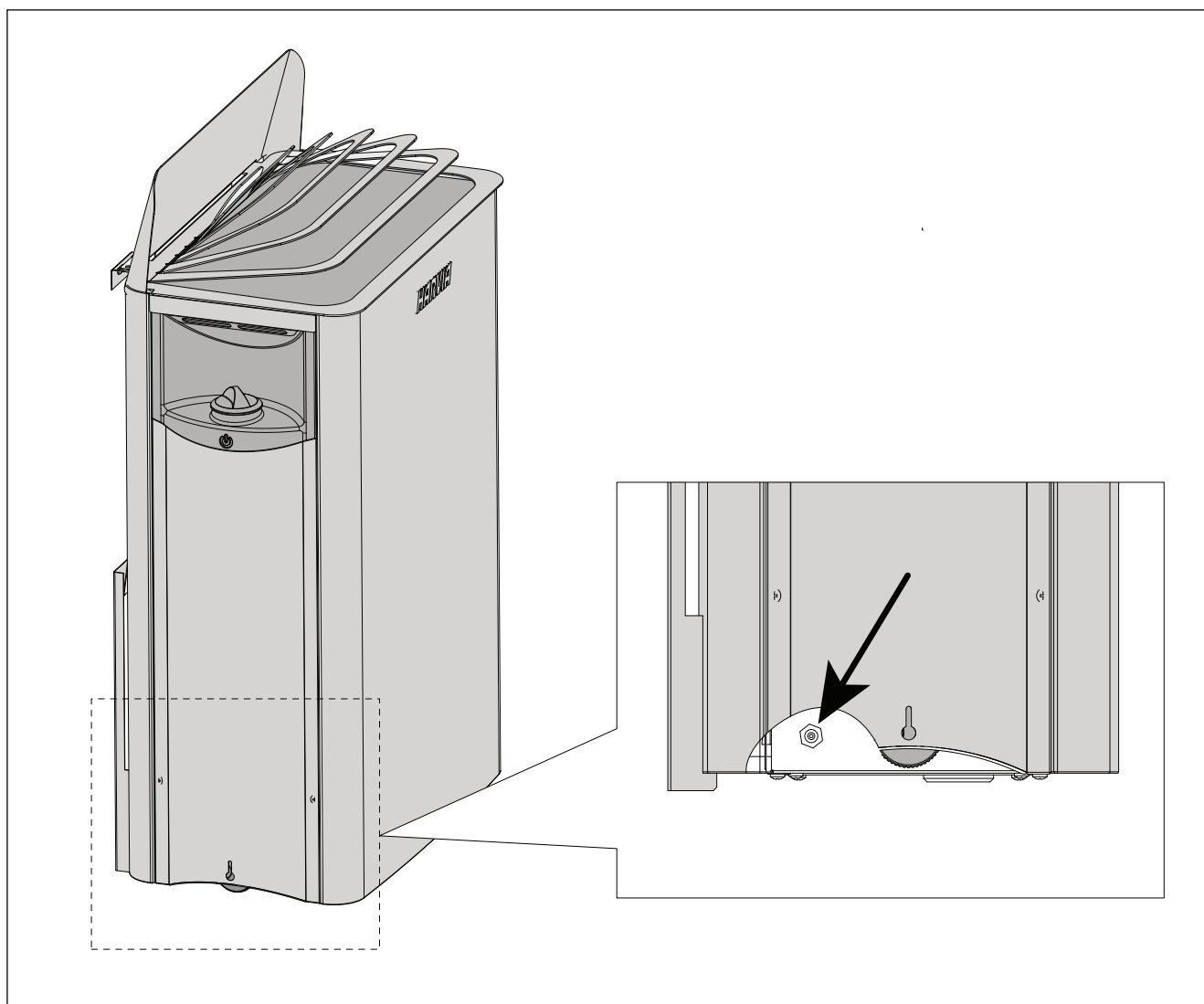
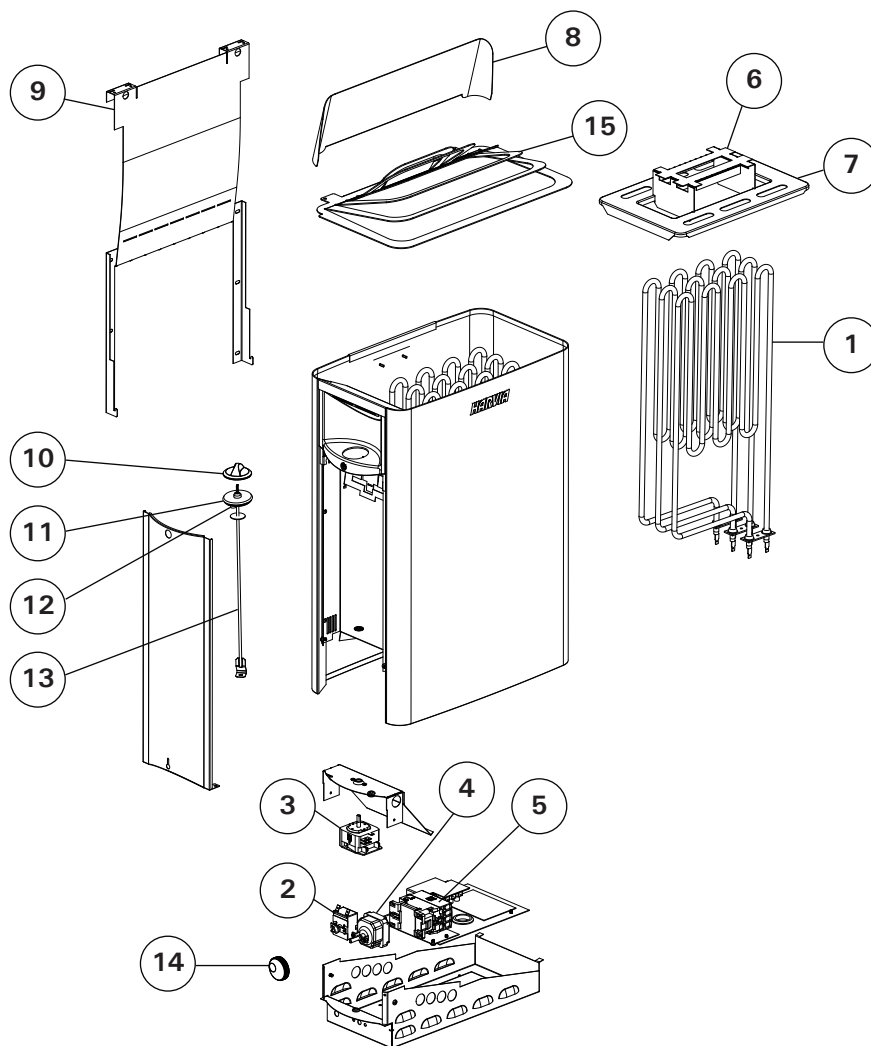


Figure 8. Réinitialiser les boutons pour les sécurités surchauffe.

## 4. PIÈCES DÉTACHÉES



1	Résistance 2000 W / 240 V	WXY10-0021	HSWS6U1B	3
	Résistance 2650 W / 240 V; 2000 W / 208 V	WXY10-0020	HSWS8U1B	3
			HSW8U1B	3
Résistance 2650 W / 208 V	WXY10-0022	HSWS6U3B	3	
		HSW6U3B	3	
2	Protecteur de surchauffe	WXZSK-764		1
3	Minuteur	WXZSK-766		1
4	Thermostat	WXZSK-762		1
5	Contacteur	WXZSK-778		1
6	Support d'élément	WXZWA-007		1
7	Grille	WXZWA-023		1
8	Guide de vapeur	WXZWA-009		1
9	Support mural	WXZWA-058		1
10	Bouton de l'interrupteur horaire	WXZWA-027		1
11	Passage en caoutchouc de l'axe	WXZWA-022		1
12	Témoins lumineux	WXZWA-145		1
13	Axe	WXZWA-016		1
14	Bouton du thermostat	WXZWA-021		1
15	Protection de sécurité	WXZWA-134		1

**Nous vous recommandons d'utiliser uniquement  
les pièces détachées du fabricant!**

## GUARANTEE

The manufacturer gives a one year guarantee for this heater. The guarantee starts from the date of purchase and includes all the parts of the heater (heating elements, controls, contactors, etc.).

The guarantee covers faults from the manufacture and material only. The guarantee includes a supply of spare parts by the manufacturer or importer after the faulty parts have been returned. Replacing any parts in the heater does not extend the original guarantee period of one year.

The guarantee does not cover defects caused by normal wear and tear, defects caused by improper installation, poor maintenance or failure to follow the manufacturer's instructions for installation, use and care, or alterations made to the product. The guarantee is void if the heater is used improperly. The guarantee does not cover delivery costs of the faulty part or repair costs on the field. If the heater is returned to the manufacturer or importer within five years from the date of purchase, the importer will provide free repair work, but may charge for spare parts if the one-year guarantee has expired.

The guarantee is void if installation and wiring has not been carried out by licensed electrician or authorized and licensed service representative. Please note that the installers signature is needed below.

The guarantee is void if the information below is not filled out and returned to the manufacturer or importer within 15 days of purchase. The guarantee applies only to the first installation of the product and to the original purchaser.

## GARANTIE

Le fabricant assure une garantie d'un an pour ce poêle. La garantie court à partir de la date d'achat et concerne tous les composants du poêle (éléments chauffants, contrôles, contacteurs, etc.).

La garantie couvre uniquement les défauts de fabrication et de matériau. La garantie comprend l'échange des pièces défectueuses contre de nouvelles pièces fournies par le fabricant ou l'importateur une fois que les pièces défectueuses lui ont été renvoyées. Le remplacement des pièces du poêle ne prolonge pas la période de garantie au-delà de l'année d'origine.

La garantie ne couvre pas les défaillances provoquées par l'usure normale, une installation incorrecte, un mauvais entretien, le non-respect des instructions d'installation, d'utilisation et d'entretien fournies par le fabricant ou les modifications apportées au produit. La garantie est annulée si le poêle est utilisé de façon incorrecte. La garantie ne couvre ni les frais de livraison de la pièce défectueuse ni les frais de réparation sur place. Si le poêle est renvoyé au fabricant ou à l'importateur dans un délai de cinq ans à partir de la date d'achat, l'importateur fournira une réparation gratuite, mais facturera les pièces si la garantie d'un an est arrivée à expiration.

La garantie est annulée si l'installation et le câblage n'ont pas été effectués par un électricien agréé ou un représentant agréé autorisé. Veuillez noter que la signature de l'installateur doit être apposée ci-dessous.

La garantie est annulée si le formulaire ci-dessous n'est pas rempli et renvoyé au fabricant ou à l'importateur dans les 15 jours suivant l'achat. La garantie s'applique uniquement à la première installation du produit et à l'acheteur d'origine.

Harvia heater model / Modèle de poêle Harvia \_\_\_\_\_

Serial number / Numéro de modèle \_\_\_\_\_

Date of purchase / Date d'achat \_\_\_\_\_

Original purchaser / Acheteur d'origine \_\_\_\_\_

Address / Adresse \_\_\_\_\_

Purchased from / Acheté chez \_\_\_\_\_

Date of electrical installation /  
Date de l'installation électrique \_\_\_\_\_

Signature of the installer /  
Signature de l'installateur \_\_\_\_\_

Licensed number of installer /  
Numéro de licence de l'installateur \_\_\_\_\_

## MAINTENANCE INSTRUCTIONS

1. Use only clean water on sauna stones. **Do not** use spa or pool water as it will destroy your heater.
2. Clean water should always be used in sauna buckets and water should be dumped out after every use. Scour buckets and dippers occasionally when film collects from usage. Use plastic bucket liner in bucket to prevent water leakage.
3. Scrub benches with a soft brush, using soap and water or a mild disinfectant, when needed — about once a week in commercial saunas, or depending upon sauna usage. For sanitation, each bather should sit or lie on a towel (this will prolong bench life).
4. Remove possible removable flooring and wash waterproof floor with disinfectant about once a week or as often as needed. Hose off removable flooring to clean.
5. To maintain beautiful appearance of Sauna heater, remove water stains by wiping with a damp cloth occasionally.
6. Our heaters require no special maintenance when properly installed by a qualified electrical contractor. After 1–2 years of usage, the rocks may need replacing if they have crumbled or powdered (depending upon sauna usage).
7. We strongly recommend a floor that can be easily cleaned (concrete, ceramic tile, or a poured type of flooring). When this is provided, the sauna can be easily cleaned and kept in a sanitary condition with little effort. A carpet is NOT recommended for a sauna! A carpet becomes a perfect breeding ground for bacteria in the moist conditions of a sauna; and a carpet promotes the spread of foot diseases such as athlete's foot. For the same reasons, wooden duckboard should not be used for flooring.
8. In new construction, a floor drain should also be provided, especially in commercial saunas for sanitary cleaning and maintenance.
9. Seal wood around glass in door—inside and outside—with waterproofing wood protector to prevent warpage.
10. When sauna wood becomes stained from perspiration, the wood may be lightly sanded with fine sandpaper to restore beautiful appearance. We do not recommend stains or sealers as toxic vapors may appear when heated. However, 2 coats of waterproofing wood protector may be used on the wood benches in a commercial sauna, so that the wood may be more easily cleaned and kept sanitary — the wood will not absorb perspiration.
11. The sauna room will heat faster if the higher vent is kept in a closed position when heating. The lower vent may always be kept in an open position.
12. Required warning signs should be posted according to the instructions.

## INSTRUCTIONS D'ENTRETIEN

1. Utilisez uniquement de l'eau propre sur les pierres du sauna. N'utilisez pas d'eau de spa ou de piscine car elle endommagerait gravement le poêle.
2. Utilisez toujours de l'eau propre dans les seaux du sauna et jetez l'eau après chaque utilisation. Frottez les seaux et les louches de temps en temps lorsqu'une pellicule commence à se former après utilisation. Mettez un sac en plastique à l'intérieur du seau pour éviter les fuites.
3. Frottez les bancs avec une brosse souple et de l'eau savonneuse ou un léger désinfectant lorsque c'est nécessaire, environ une fois par semaine dans les saunas commerciaux ou selon la fréquentation du sauna. Par mesure d'hygiène, il est recommandé que chaque utilisateur s'assoie ou s'allonge sur une serviette. (La durée de vie des bancs en sera prolongée.)
4. Essuyez le plancher imperméable avec du désinfectant environ une fois par semaine ou aussi souvent qu'il le faut.
5. Pour préserver la beauté du poêle, essuyez les tâches d'eau avec un chiffon humide de temps en temps.
6. Nos poêles de sauna ne nécessitent aucune maintenance particulière lorsqu'ils ont été correctement installés par un électricien qualifié. Au bout de 1–2 années d'utilisation, il peut être nécessaire de remplacer les pierres si elles se sont effritées ou pulvérisées.
7. Nous recommandons vivement l'utilisation d'un sol qui peut être facilement nettoyé (béton, carrelage ou sol coulé). Le sauna peut ainsi être facilement gardé propre. Il est fortement déconseillé de mettre un tapis dans un sauna ! Un tapis deviendrait un support idéal pour les bactéries dans l'environnement humide du sauna. Il favoriserait également la transmission des maladies des pieds telles que le pied d'athlète.
8. Dans une nouvelle construction, un siphon de sol doit également être installé pour faciliter le nettoyage et l'entretien, en particulier dans les saunas commerciaux.
9. Imperméabilisez le bois autour de la vitre de la porte (à l'intérieur et à l'extérieur) avec du protecteur pour bois imperméabilisant pour éviter qu'il ne se déforme.
10. S'il se forme des taches sur le bois à cause de la transpiration, vous pouvez légèrement le poncer avec du papier de verre à grains fins afin de lui redonner son bel aspect. Nous déconseillons l'utilisation de teinture ou de vernis car des vapeurs toxiques risquent de se dégager sous l'effet de la chaleur. Cependant, vous pouvez appliquer 2 couches de protecteur pour bois imperméabilisant sur les bancs en bois d'un sauna commercial afin que le bois soit plus facile à nettoyer et reste hygiénique. Ainsi, il n'absorbera pas la transpiration.
11. La cabine du sauna se réchauffe plus rapidement si la bouche d'aération haute est fermée pendant la période de chauffage. La bouche d'aération basse peut toujours rester ouverte.
12. Les écriteaux d'avertissement requis doivent être apposés selon les instructions.



