

INSTRUCTIONS FOR USE

Almost Heaven Barrel Soak Tub



!

Read and save the instructions for further use.

Note the minimum fill levels

READ AND FOLLOW ALL INSTRUCTIONS

Danger! – Risk of Accidental Drowning (especially young children). Caution should be exercised to prevent unauthorized access to soak tub by children. Always ensure adult supervision and secure access to the soak tub with a lockable cover or locked and fenced in area. To avoid accidents during hot tub use, ensure that children are kept under constant supervision.

WARNING — Risk of Suffocation. This soak tub is equipped with a combustion heater and is intended for outdoor use only.

WARNING — To reduce the risk of injury/illness:

1. The water in the soak tub should never exceed 104°F. Lower water temperatures are recommended for young children and when soak tub use exceeds 10 min
2. Woman who are pregnant should not use the soak tub without consultation with a physician.
3. The user should check the water temperature before entering the hot tub.
4. The use of alcohol, drugs, or medication before or during hot tub use may lead to unconsciousness, with the possibility of drowning, and is not recommended.
5. Persons with any medical condition should seek medical advice before using a soak tub.
6. Persons using medication should seek medical advice before using a soak tub since some medication may induce drowsiness, affect heart rate, blood pressure, and circulation.
7. Avoid putting the head underwater.
8. Avoid swallowing soak tub water.

Child safety

Ensure safety of children in the soak tub and in the surroundings. Continuous, active, and vigilant supervision of weak swimmers and non-swimmers by a competent adult is required at all times. Designate a competent adult to supervise the hot tub each time it is being used. Weak swimmers or non-swimmers should wear personal protection equipment.

A safety cover (lockable cover) or other safety protection device shall be used, to prevent unauthorized access to the soak tub by children. Barriers, covers, alarms, or similar safety devices are helpful aids, but they are not substitute for continuous and competent adult supervision.

IMPORTANT

Carefully read, understand, and follow all information in this user manual before installing and using the soak tub. These warnings, instructions, and safety guidelines address some common risks of water recreation, but they cannot cover all risks and dangers. Always use caution, common sense, and good judgment when enjoying any water activity.

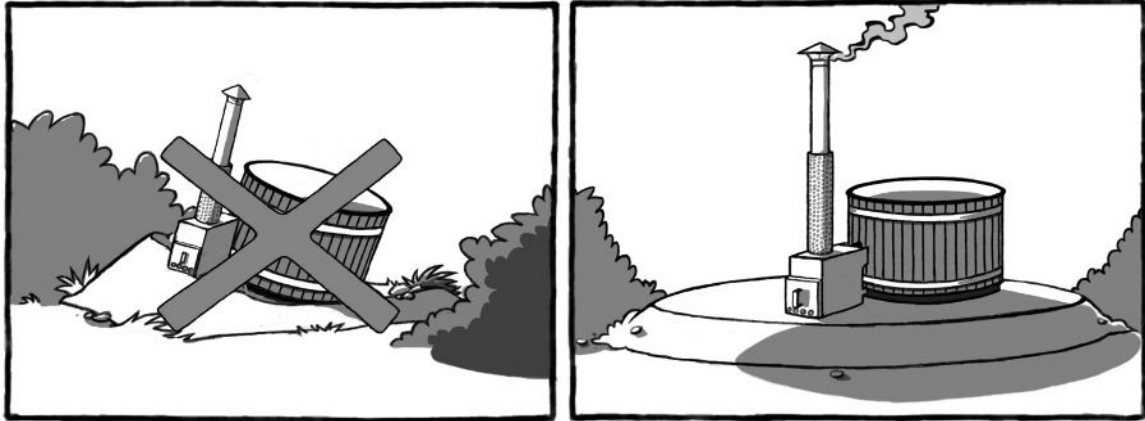
The product is intended only for private outdoor use and for installation above ground or partly recessed with external support e.g. built in terrace. The tubs have a frame or a transport pallet for transport. It needs to be removed before the final placement of the tub. Do not lift the tub from the lip of the tub. The tub should always be lifted from its bottom. Do not transport the tub sideways.

If the product cannot be manually carried to the planned installation location it might require special lifting equipment such as crane.

INSTALLATION

Foundation

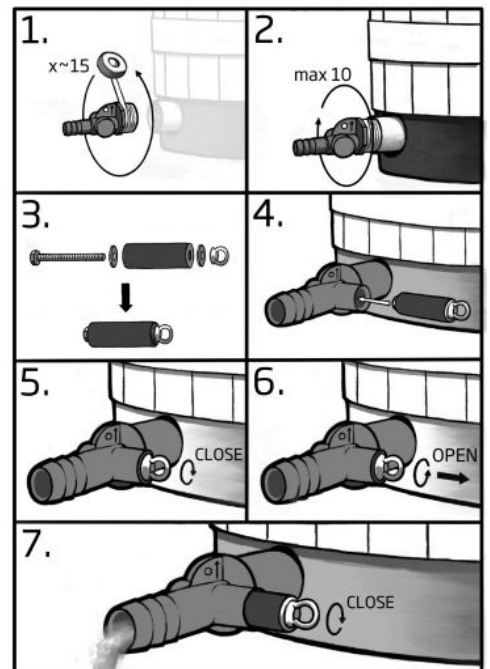
It is important to place the tub on a level surface that can support the whole weight of the tub (approx. 1000lbs). The foundation can be leveled with gravel, crushed concrete, pavers, a concrete slab, or a wooden deck. Since the hot tub wall height is over 33" high, a means of entry (eg: steps or step-down from a deck) is suggested.



Drain Fitting Installation

There is a drainage outlet located at the base of the soak tub. Wrap pipe tape around the threads of the included drainage fitting and turn into the outlet. Do not over tighten. Install the plug valve into the drain fitting as shown. Plan the location of your tub so that the drainage valve is accessible.

Notice! Do not leave the plug tightened in for prolonged periods of time to ensure that it does not get stuck in the valve body. Periodically loosen the fitting and re-tighten to ensure freedom of movement.



Wood Stove Hookup

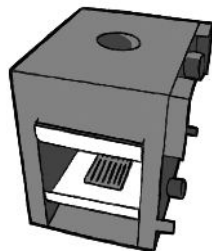
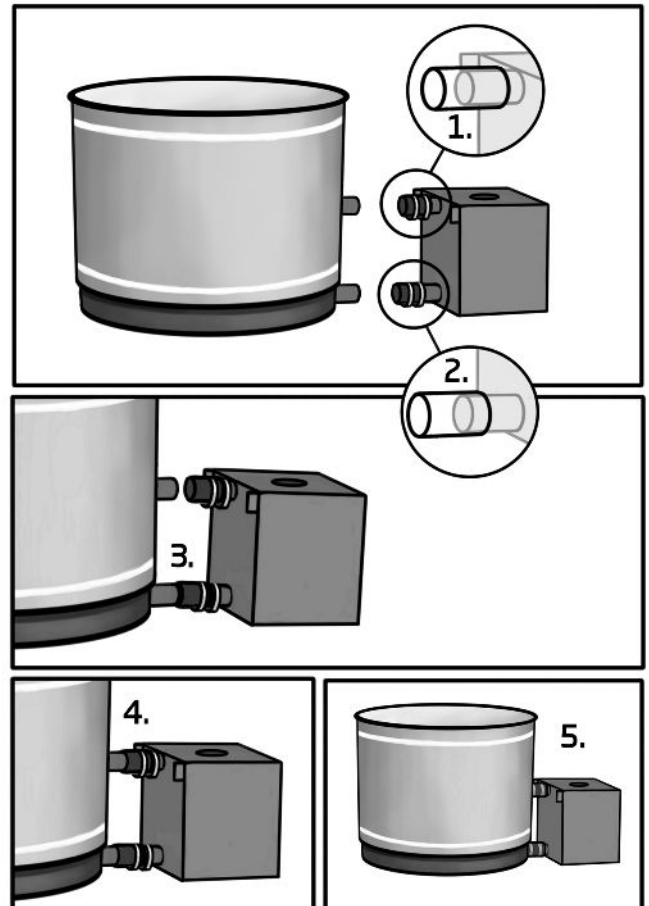
Before hooking up the stove to the tub, run water from a garden hose through the top outlet of the heater to flush out any debris that may remain in the heater from manufacturing or from transport. When only clear water comes from the lower inlet you can hook up the stove to the tub with the included pipes.

General Comments

- Rub liquid soap on the inside of the rubber hoses to allow them to slip over the pipes easily.
- Connection hoses are installed first on the heater pipes and then on the tub pipes.
- Check that the connection hoses are not puckered before tightening the hose clamps.
- Make sure that the heater is installed perpendicular to the tub.
- Make sure that the heater is horizontal to the tub.

Hook-up

1. Attach the upper rubber hose with hose clamp to the stove and tighten the hose clamp securely.
2. Attach the lower rubber hose with hose clamp to the stove, but do not tighten it yet and leave the rubber tube closer to the outside edge as shown.
3. Push the lower tube onto the tub first.
4. Then attach the upper tube.
5. When both rubber hoses are in place over the pipes on the soak tub tighten all hose clamps securely.

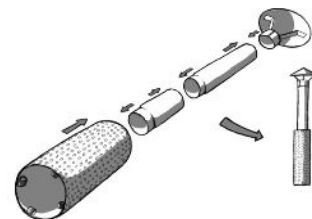


Grates

There are grates in the bottom of the stove that are supported by a tray. The stove also includes a steel air plate that is placed on the top shelf to direct the circulation of air to the upper part of the firebox. Never operate the stove without these parts. Also, these parts may wear down and distort over time due to heat. If this happens you can purchase new components from Almost Heaven Saunas.

Chimney Installation

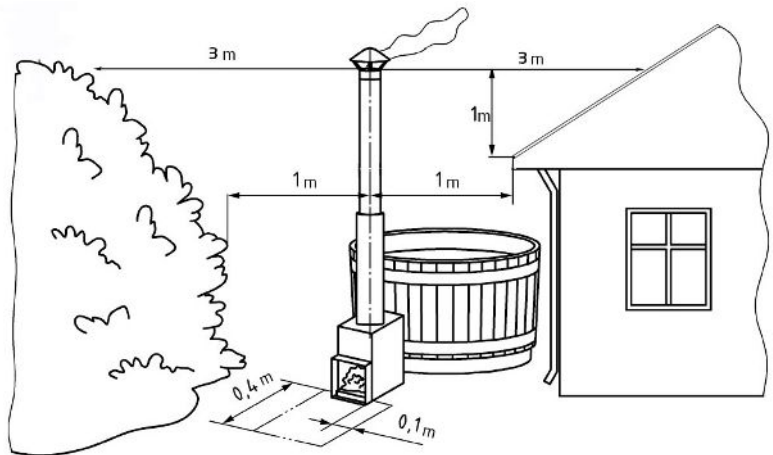
This package includes a 200 cm chimney + 100cm protective sleeve as well as a chimney cap. Use protective gloves when handling the chimney parts as the edges may be sharp. Remove the protective film from the thermal protection and place the assembled chimney onto the chimney outlet on top of the stove.



FIRE SAFETY

The fire box and chimney should be placed a sufficient distance from other structures and flammable materials. The distances shown are typical, but local requirements may differ and should be checked prior to installation.

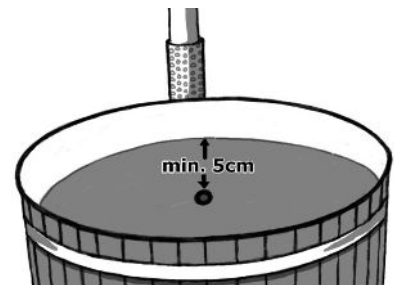
There should be no flammable material located in front of and below the stove. The stove will not heat up above the water temperature as the stove is surrounded by a water jacket. The chimney and door of the stove will heat up, however.



Fill:

Check that the drain plug is closed. Then, with a garden hose, fill the tub to at least 2" above the upper connection pipe of the stove before lighting the fire in the stove. The amount of total water you use will depend on how many people you plan to have in your tub due to water displacement.

NOTE: Never light the stove without sufficient water in the tub.

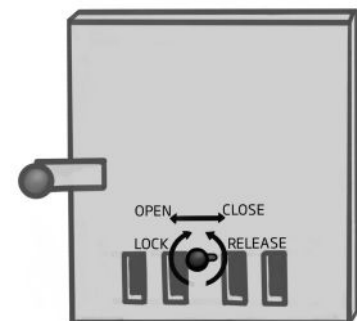


LIGHTING AND HEATING THE STOVE

Operation of the soak tub wood stove is similar to typical home wood stoves. The draft can be adjusted with the lever as shown. Open or close the damper by turning and tightening the lever as shown.

Use smaller and dry kindling wood for igniting the fire and then add bigger pieces as needed every 10 to 15 minutes. Maintain the fire in the stove during heating, so that the wood will burn properly and the tub will heat with maximum power. If the fire is too small, it will take longer to heat the tub.

After the fire is lit in the stove allow 1-2 hours for the tub to reach usable temperature. Since the water circulates on a gravitational basis, the water at the top of the tub will be warmer than the bottom, so you may want to stir the water a bit with a paddle to make the temperature uniform for bathing.



NOTE: Do not let a full tub freeze in the winter. Empty the tub or ensure appropriate heating after each use.

NOTE: Use paper or twigs to start the fire, but never lighter fluid or other flammable liquids or gas.

OPERATION

The tub will heat faster when covered by the insulated cover. The water temperature should be measured every 20 minutes during heating, and mixing the water with a paddle periodically will give you a better idea of overall temperature. When the temperature reaches approx. 90°F, it is advisable to reduce the amount of firewood added so as to avoid overheating the tub. The maximum recommended temperature is 104°F. When the desired temperature has been reached, you may keep a small fire burning as needed to sustain the

temperature. Practice makes perfect, and in time you will find the ideal heat time and amount of fire needed to maintain your desired temperature and usage.

If you are going to use the soak tub again at a later time you should put the cover on the tub to retain heat.

The Barrel Soak Tub is just that, a soak tub and not a spa. It does not have a circulation pump or filter so is intended to be drained after each usage. If you want to leave the water in the tub for, say, a weekend or multiple uses, it is suggested to use bromine or other water sanitation method to keep the water sanitary during this brief time. Your local pool or spa dealer can recommend a specific water treatment for you.

Warning!

Never start the fire when the tub is empty or the water level is insufficient! Doing so will destroy the heater!

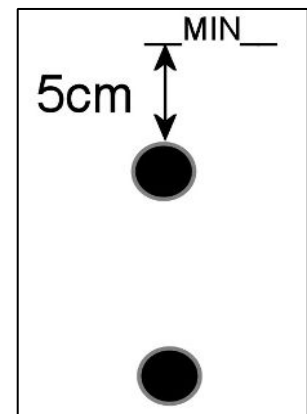
Always check the amount of water in the tub before lighting the stove!

The tub must always be filled so that the water level is at least 5 cm above the upper pipe of the heater (picture on the right). Only then it is safe to start the fire.

Do not start emptying the tub until the fire in the heater is completely out! Heating a partially filled tub will destroy the heater!

The water in the tub must not be allowed to freeze during the winter. Empty the tub or make sure that the water is heated adequately.

The heater cannot be connected to a circulation pump! It will not stand the pressure, since it has been designed to use only gravitational circulation. Heater surface can be stained by drinking classes, pool chemical cans, chemical dispensers and sometimes even by water with calcium. Do not use your heater as a table.



MAINTENANCE AND SAFETY OF THE TUB

Heater

Empty the ashes from the stove after each use so that grates and air slides will not be covered by the ashes.

Interior

Wash and wipe down the interior of the tub after each use. After emptying and cleaning the tub, leave the drain tap open to allow water to drain from the pipes.

Cedar Exterior

The exterior cedar panels will weather naturally if left alone, but you may also treat the exterior with any preferred wood stain or sealer as desired or as recommended by your local paint store.

Composite Exterior

Composite exterior materials withstand UV exposure and will not "grey". If the material gets dirty simply rinse and scrub lightly with a brush.

Other remarks

Note that the discharge tap should always be left open in an empty tub. If water gets inside the tank from somewhere when the discharge tap is closed, water can freeze in the pipes and break parts.

The external stove is emptied at the same time when you empty the water from the tub. Do not leave water in the tub or heater at sub-zero temperatures as the plastic drain pipes and taps freeze easily. In case the exhaust hose/tap has frozen, the tub can be emptied by removing the stove to let the water drain from the lower hose. In case the stove is frozen, do not light a fire but rather thaw the stove slowly in warmer temperatures.

Note! When emptying the tub, leave the cover slightly open, so that no vacuum forms in the tub.

THE SAUNA PLACE INC.

931 525 3504

saunaplace.com