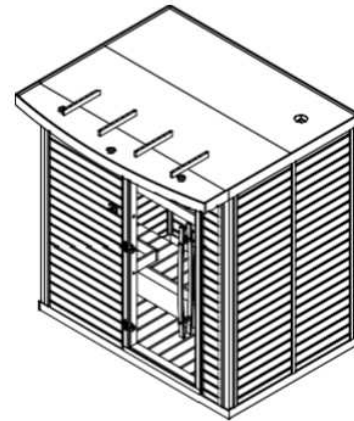
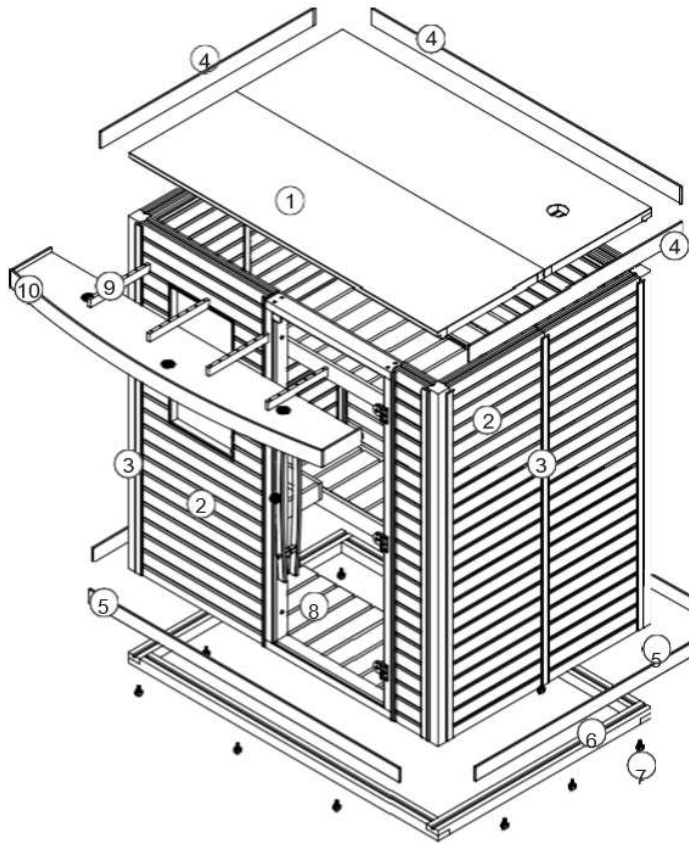


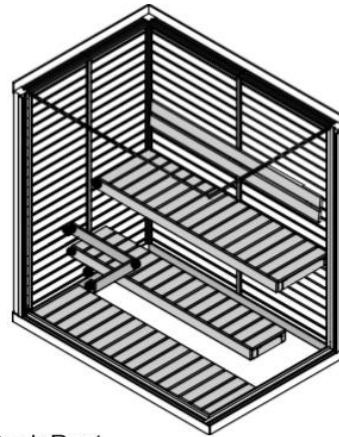
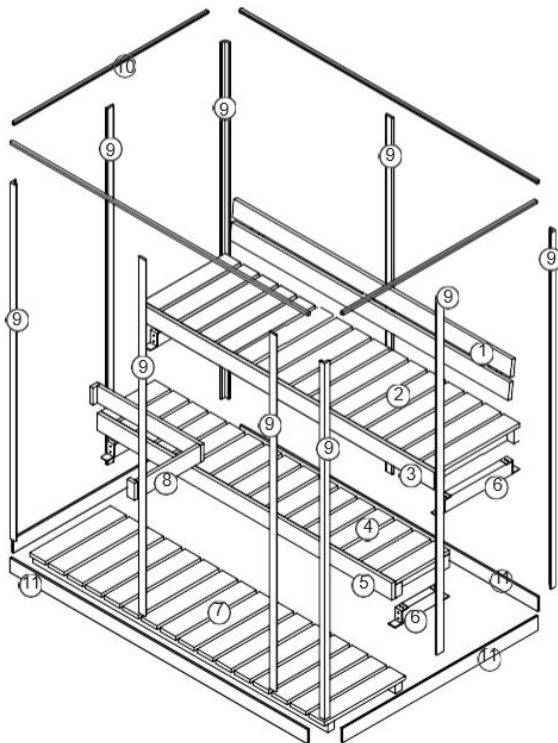
Assembly Manual

Parts List Exterior



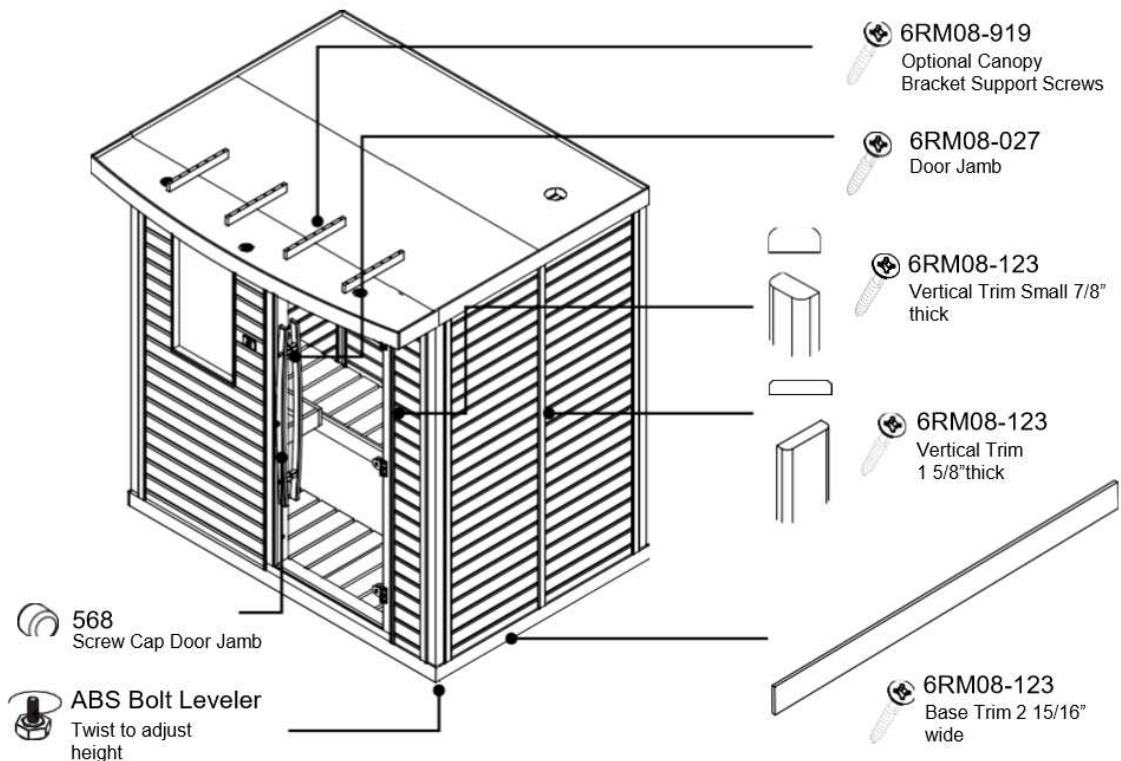
1. Ceiling Assembly
2. Wall Panels
3. Exterior Trim
4. Top Exterior Trim
5. Bottom Exterior Trim
6. Main Base Frame
7. ABS Bolt Leveler
8. Door Set
9. Canopy Bracket Support
10. Canopy

Parts List Interior



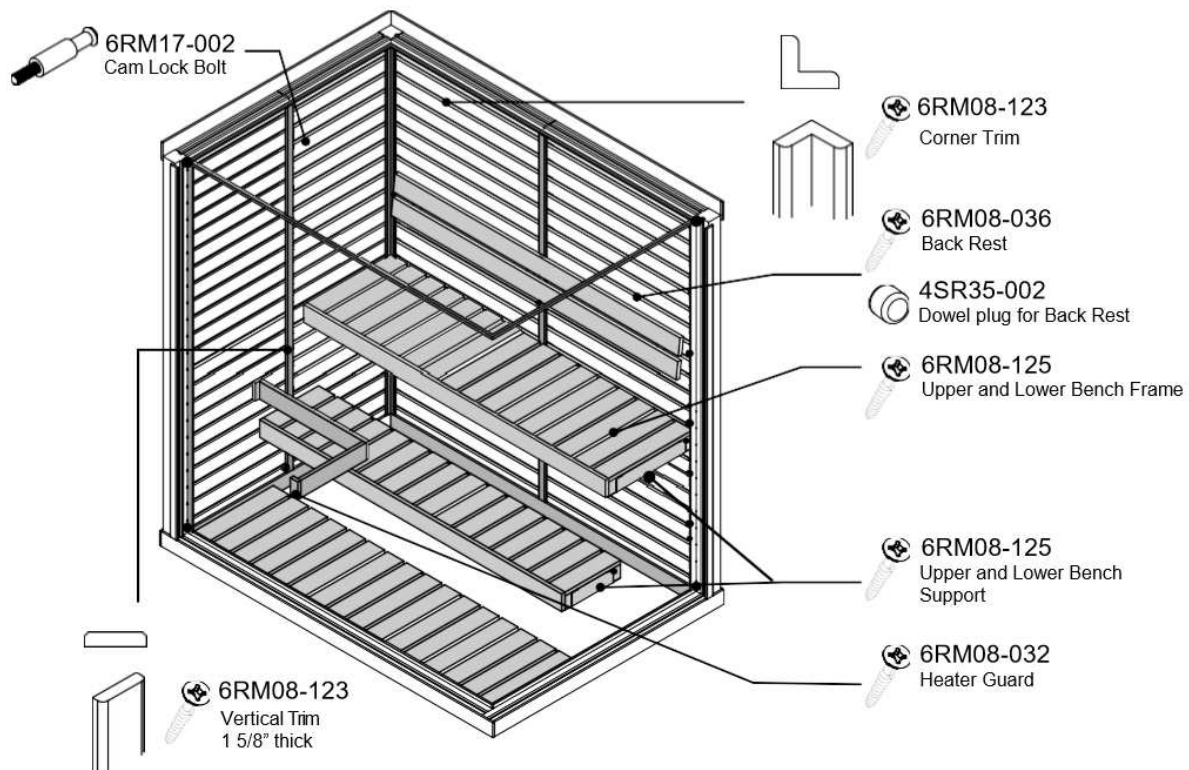
1. Back Rest
2. Upper Bench Top
3. Upper Bench Frame
4. Lower Bench Top
5. Lower Bench Frame
6. Bench Supports
7. Flooring
8. Heater guard
9. Inside Trim
10. Inside Top Trim
11. Inside Base Trim

Screws for Room Exterior



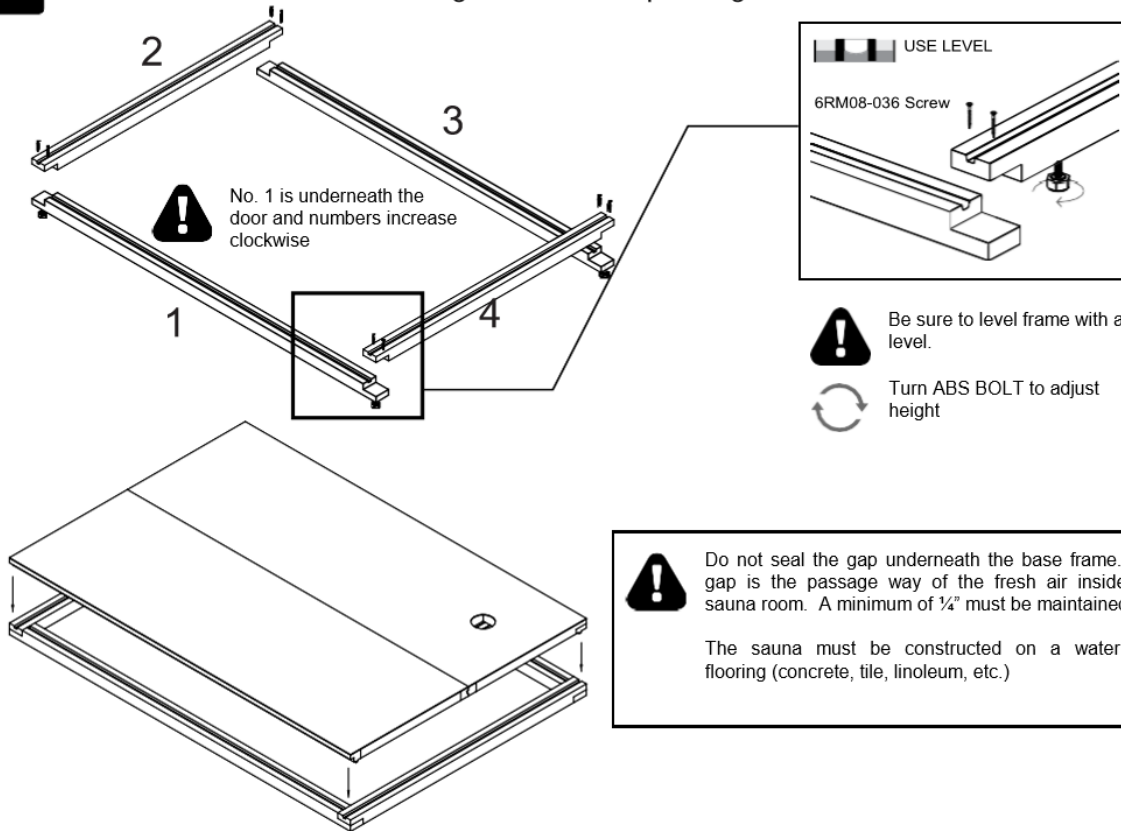
NOTE: When installing interior and exterior base trim it is important to leave a minimum of 1/4" gap between base and floor for air-flow.

Screws for Room Interior



Wall Assembly

1 Connect base frames according to their corresponding numbers.

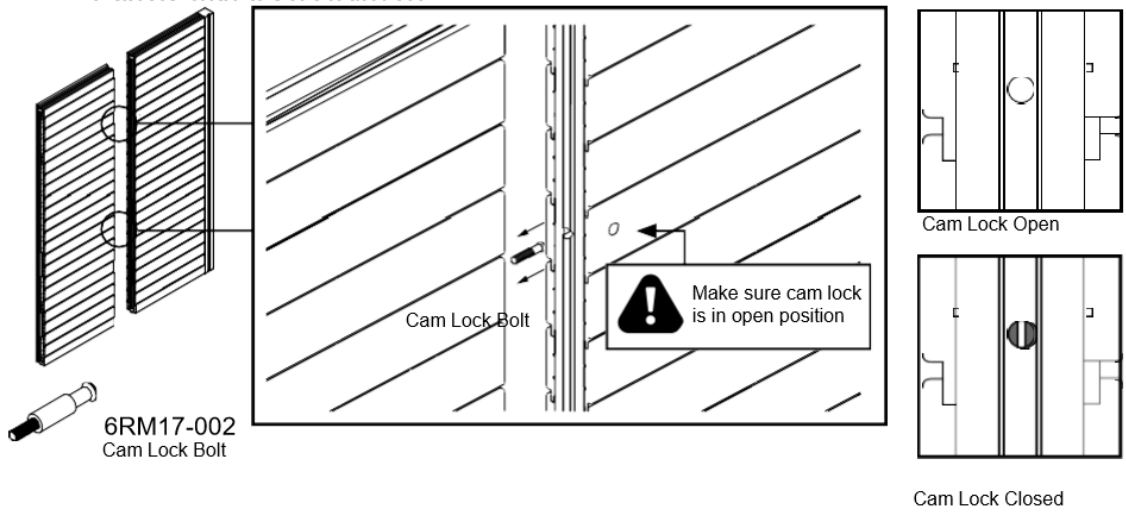


Do not seal the gap underneath the base frame. The gap is the passage way of the fresh air inside the sauna room. A minimum of 1/4" must be maintained.

The sauna must be constructed on a waterproof flooring (concrete, tile, linoleum, etc.)

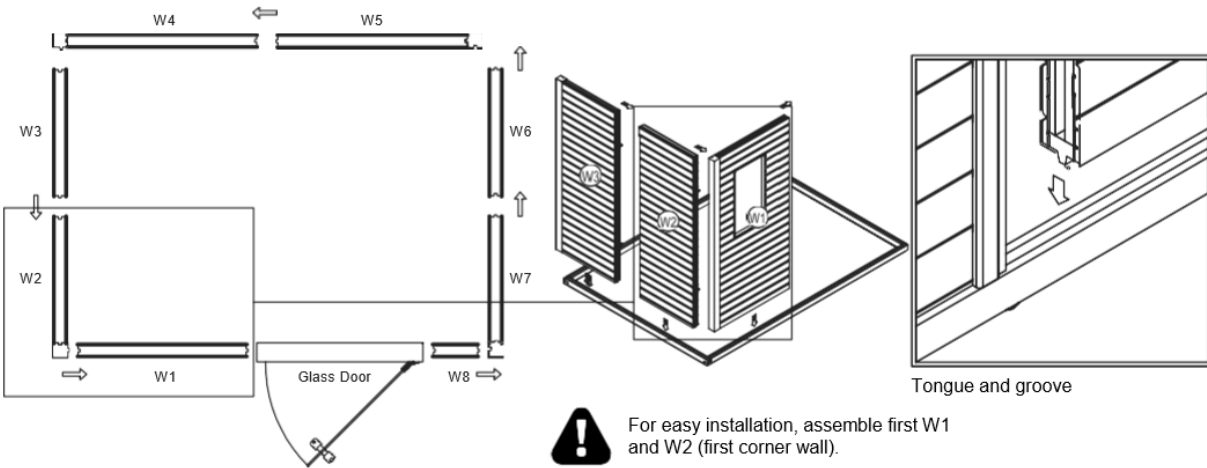
Optional.
After the base frame is leveled, fit in the ceiling assembly on the base frames to check if it fits nicely and leveled (great help after wall assembly)

2 Thread Cam Lock Bolts into Wall Panels with a screwdriver.

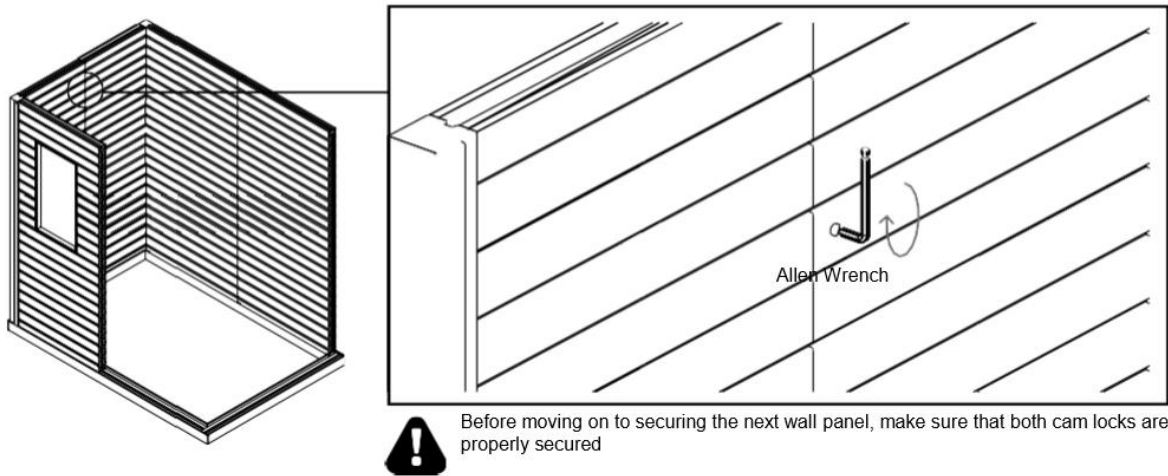


Wall Assembly

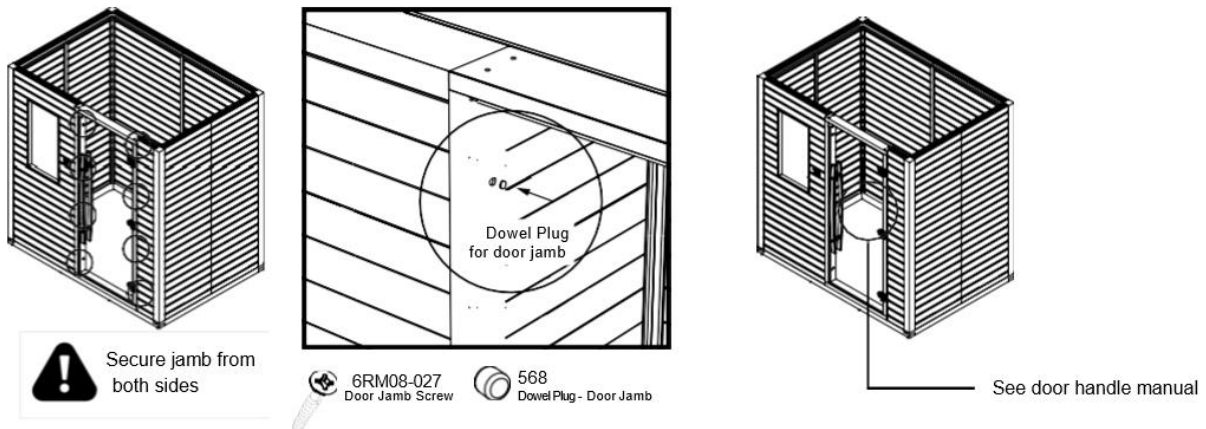
03 Attach wall panels according to their label. Take note of the grooves direction (arrow direction).



04 Secure walls with cam locks.

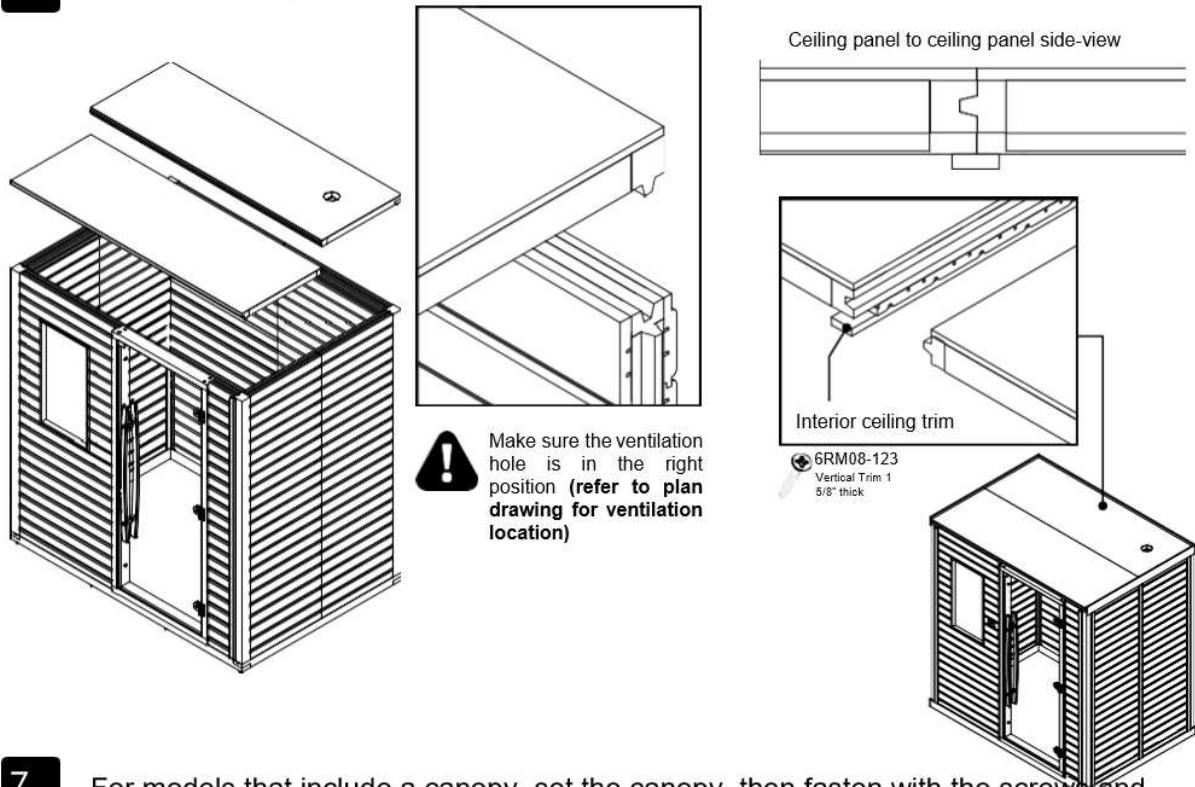


05 Install Door and secure Door Jamb with screws then cover with dowel plugs.

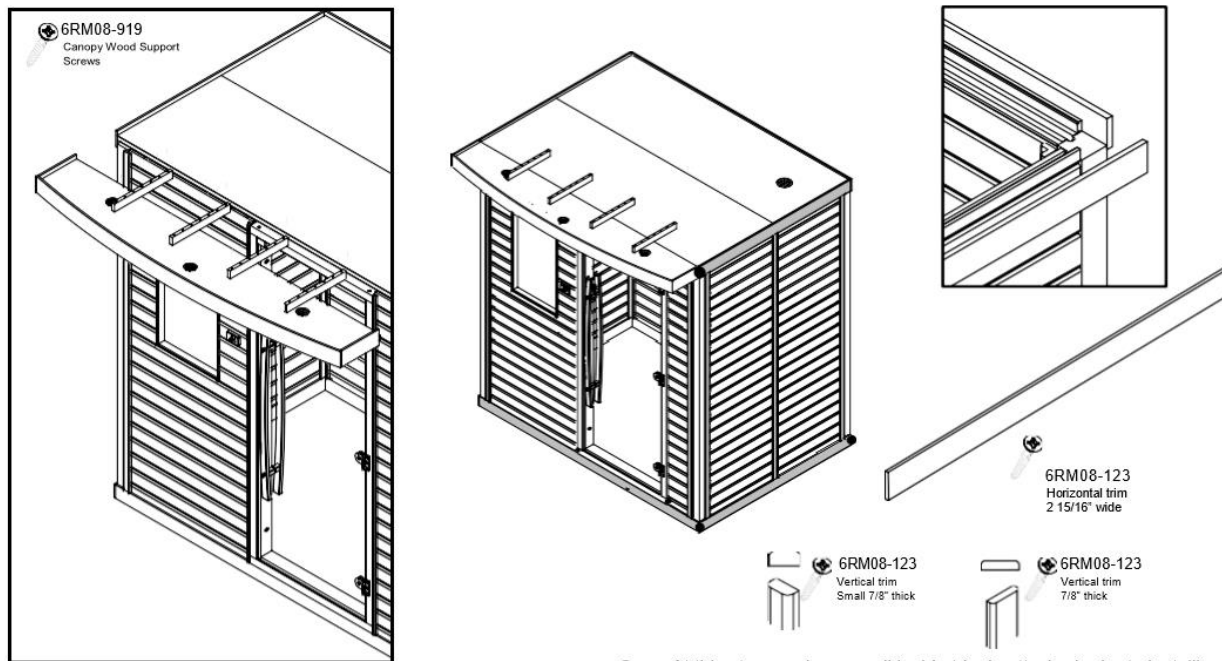


Ceiling and Canopy Assembly

6 Installing Ceiling Panels



7 For models that include a canopy, set the canopy, then fasten with the screws and wood supports provided. Once finished, install the outer trim.



⚠ At this stage make sure all inside trim is attached prior to installing the benching.

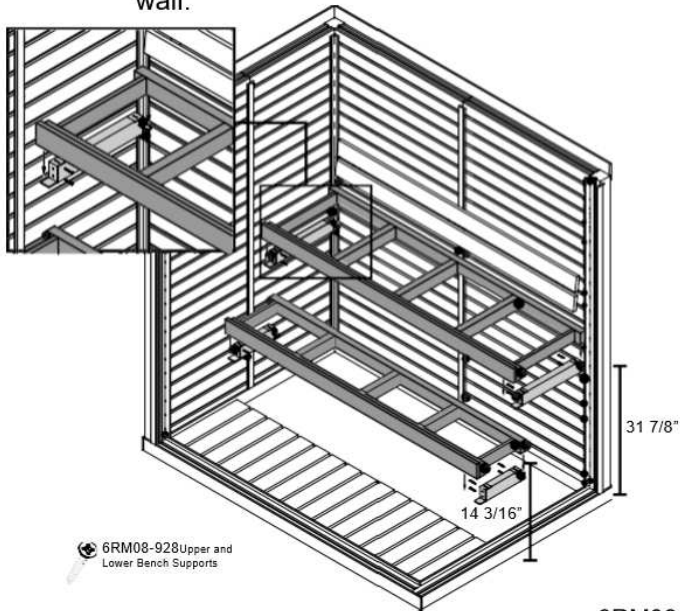
Interior Benching Assembly

09 Attach Bench Support at suggested height with screws, then place over the Bench Frame Assembly and screw to wall.

10 Attach heater guard, back rest and bench Skirting panels (only on Models where provided).



If using wall mounted heater, be sure to install the heater guard at the designated location.

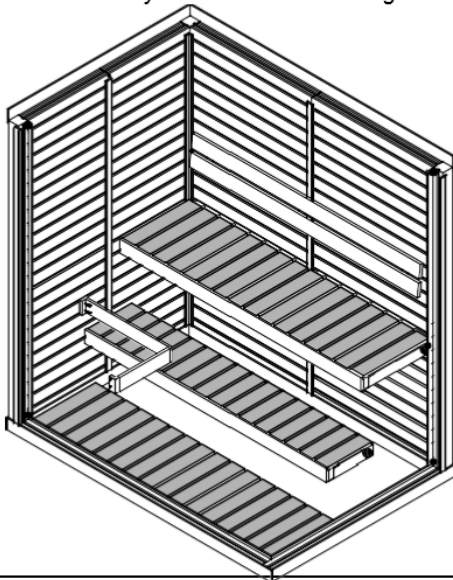


6RM08-928 Upper and Lower Bench Supports



Height dimensions should be taken in reference to the base frame. There are markers as well on the wall panels as reference for bench support mounting

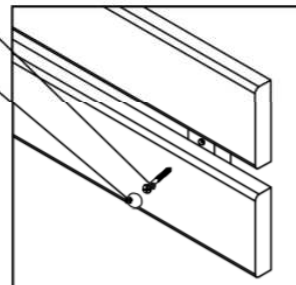
11 Attach top/lower bench covers and flooring.
Note: Many models have benching that requires no top to be installed



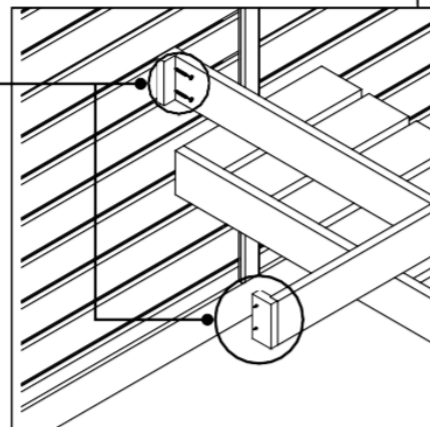
On large sauna rooms, the flooring needs to be placed first as it will be hard to place inside once the bench supports are installed.

6RM08-036 Screw

Screw Cap



6RM08-032 Screw



Electrical

Important: All electrical work must be performed by a licensed electrician. Failure to do so may result in injury or death. It may also void both your sauna and your sauna heater warranties.

Electrical Notes

Your Heritage Sauna is pre-wired for interior light(s) and your light fixture(s) included. Your electrician will need to hook light(s) up.

A rubberized conduit is installed in the appropriate wall panel for your electrician to pull the proper supply wires for your sauna heater. Depending on the model and sauna heater used, there may also be a separate conduit provided to run your sauna heater's temperature sensor. If no separate conduit is provided, simply have your electrician follow the installation instructions found in your sauna heater manual for the external mounting of this sensor. All electrical wiring and conduits provided in your Heritage Sauna are UL listed, and your sauna heater is ETL(US) or UL listed. Local codes or your electrician's specific requirements supersede any design element or written instructions in this manual.

Your electrician may mount necessary junction boxes for the sauna's wiring on top of the sauna if desired.