

## Wood burning heater Harvia Legend 150 black

WK150LD

The Harvia Legend wood burning heaters give you the ultimate sauna experience. The black steel frame has a mighty amount of stones inside, and as they heat up, you get a magnificent sauna bath even at a lower temperature. The large number of stones ensures good heat, even if the fire dies down in between.



### Features

Main material : Steel

H x W x D : 740.0 x 530.0 x 530.0 mm

Net weight (kg) : 61.5

Stone amount (kg) : 120.0

ID	GTIN	Power	Sauna room size min - max m3
WK150LD	6417659012416	16 kW	6.0-13.0

### Related products



WL100



WL300



WP250LD

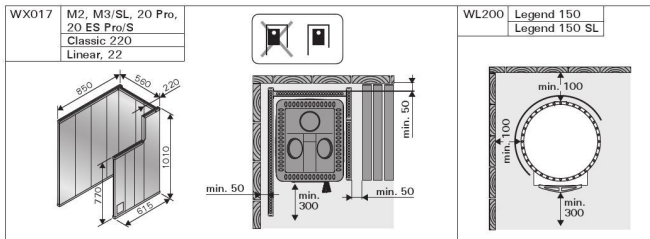
## Spare parts

Product	ID	Pcs
Furnace grate	ZKIP-10	1
Connection pipe	ZKIP-130	1
Fireplate for Legend 150	ZKIP-917	1
Ashpan RST Pro	ZKIP-720	1
Stone compartment frame for Legend 150	WX500	1
Hinge pin	ZKIP-50	1
Handle for stove + screws	ZKIP-670	1
Adjustable legs for LG150/SL	ZKIP-918	1

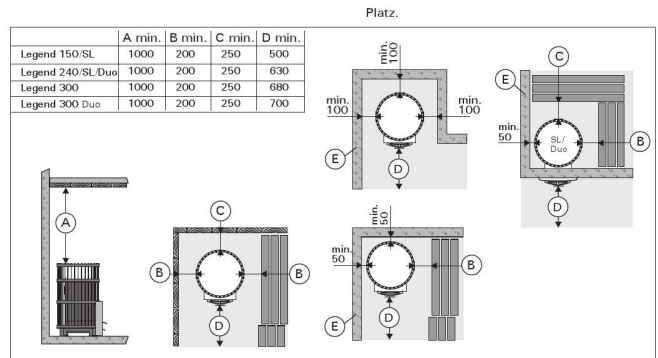
## Technical details

Technical data	Type / attribute	WK150LD
	Color	Black
	Power output	16 kW
	Stone sizes	10-15 cm
	Stone amount (kg)	120
Dimensions	Product width (mm)	530
	Product height (mm)	740
	Product depth (mm)	530
	Net weight (kg)	61.5
	Gross weight	64.2
	Package width	540
	Package height	765
	Package depth	550
Connections	Flue connection locations	Back, Top
	Chimney connection diameter	115
Safety and installation dimensions	Safety distance front (non-combustible materials)	500
	Safety distance front (combustible materials)	500
	Safety distance right side (combustible materials)	200
	Safety distance right side non-combustible materials	100
	Safety distance left side (combustible materials)	200
	Safety distance left side non-combustible materials	100
	Safety distance behind (non-combustible materials)	100
	Safety distance behind (combustible materials)	250
	Safety distance (Ceiling) (depends on connections and therefore from output, star/delta)	1000
Room min. height(depends on connections and therefore from output, star/delta)	1750	

Technical images



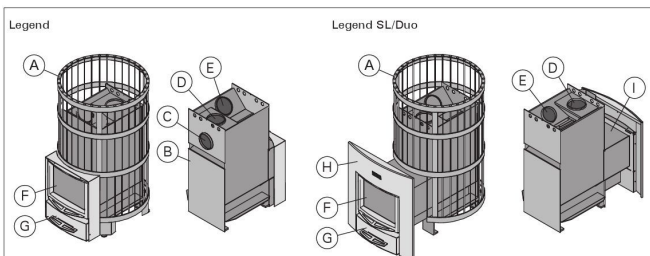
Harvia protective sheaths (all dimensions in millimeters)



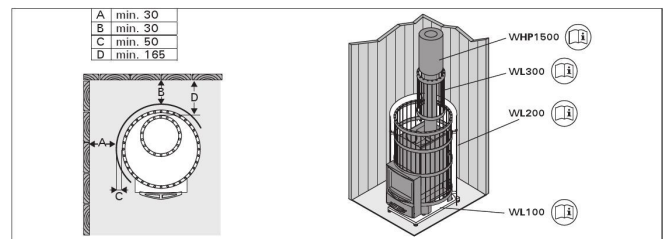
Safety distances (all dimensions in millimeters)

1.1. Stove Parts

- A. Steel frame
- B. Stove body
- C. Rear connection opening
- D. Upper connection opening
- E. Soot opening
- F. Stove door
- G. Ash box
- H. Flange (only Legend 240 Duo/300 Duo)
- I. Fire chamber extension



Stove parts. Note! Only use replacement parts recommended by the manufacturer. Unauthorised modification of the stove is prohibited.



Legend Protection Supplies (all dimensions in millimeters)