

# HARVIA

## EN Owner's/Operator's Manual

Sauna heater installation, wiring, operating instructions, trouble shooting, maintenance and guarantee.

**IMPORTANT!** This manual must be left with owner, manager or operator of Sauna after it is used by electrician!

### MODEL

KIP-30-B1  
KIP-45-B1  
KIP-60-B1  
KIP-80-B1

KIP-30-B3  
KIP-45-B3  
KIP-60-B3  
KIP-80-B3

### MODEL

KIP-30-W1  
KIP-45-W1  
KIP-60-W1  
KIP-80-W1

### MODEL

KIP-30-W3  
KIP-45-W3  
KIP-60-W3  
KIP-80-W3

### CONTROLS

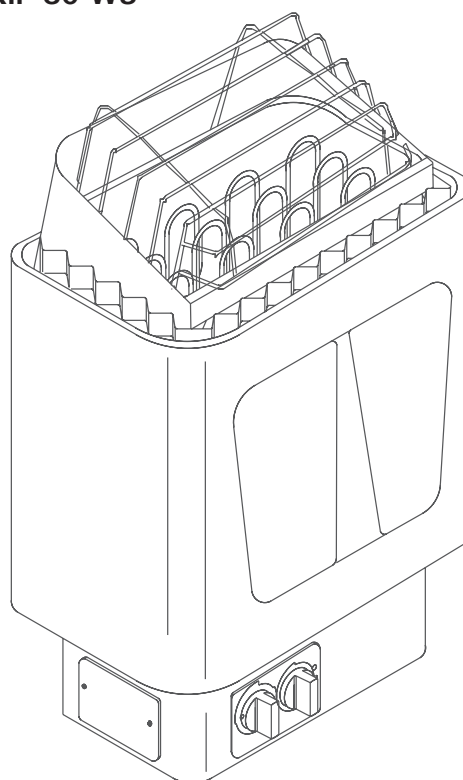
CG170-U1  
CG170-U3  
CX170-U1  
CX170-U3

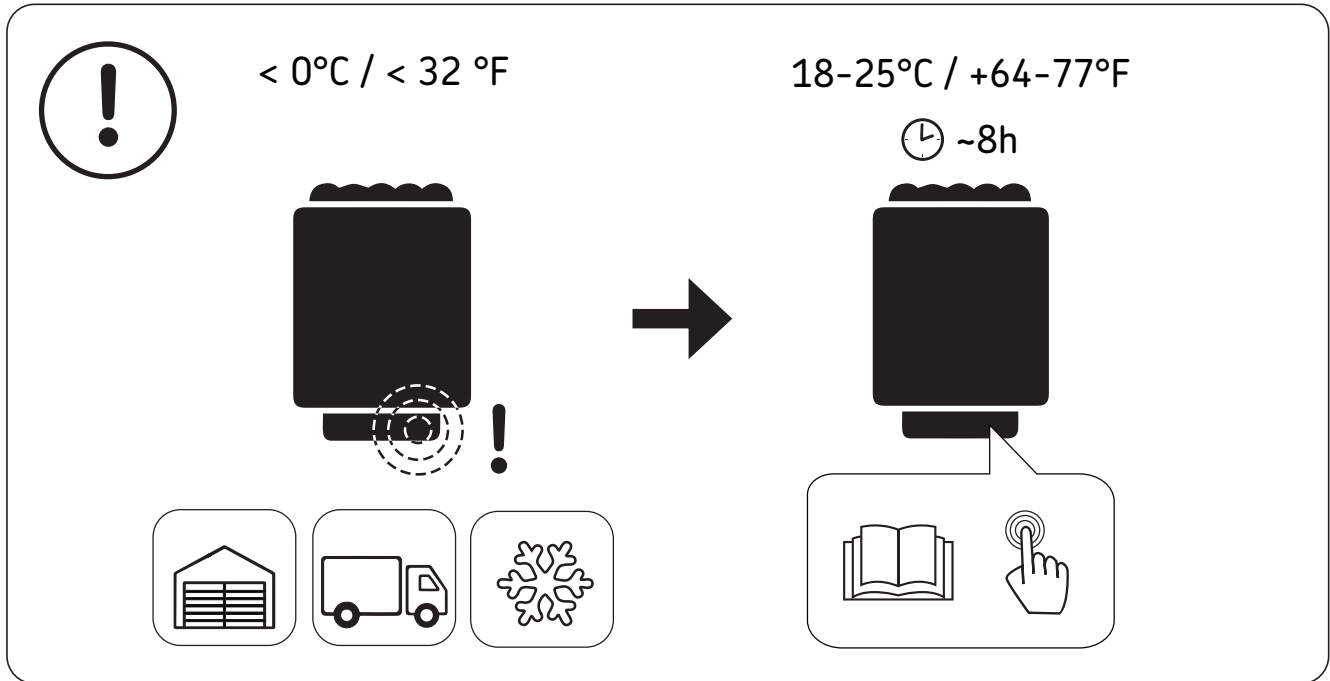


LISTED 6J21  
SAUNA HEATER

Sauna Specialiste Inc.  
Dessere Nord Autoroute 440 O  
Laval, Quebec, H7L 3W3  
Toll free: 1 855-689-2422

Harvia US Inc.  
32282 Seneca Trail, Renick,  
WV 24966  
+ 1 304-497-3991





**!** Overheat protector of the device can go off also at temperatures below  $-5^{\circ}\text{C}$  /  $23^{\circ}\text{F}$  (storage, transport, environment). Before installation take the device to the warm environment. The overheat protector can be reset when the temperature of the device is approx  $18^{\circ}\text{C}$  /  $64^{\circ}\text{F}$ . The overheat protector must be reset before using the device. See the user manual > Resetting the Overheat Protector.

## THE SAUNA ROOM SHALL BE PROVIDED WITH PROPER VENTILATION

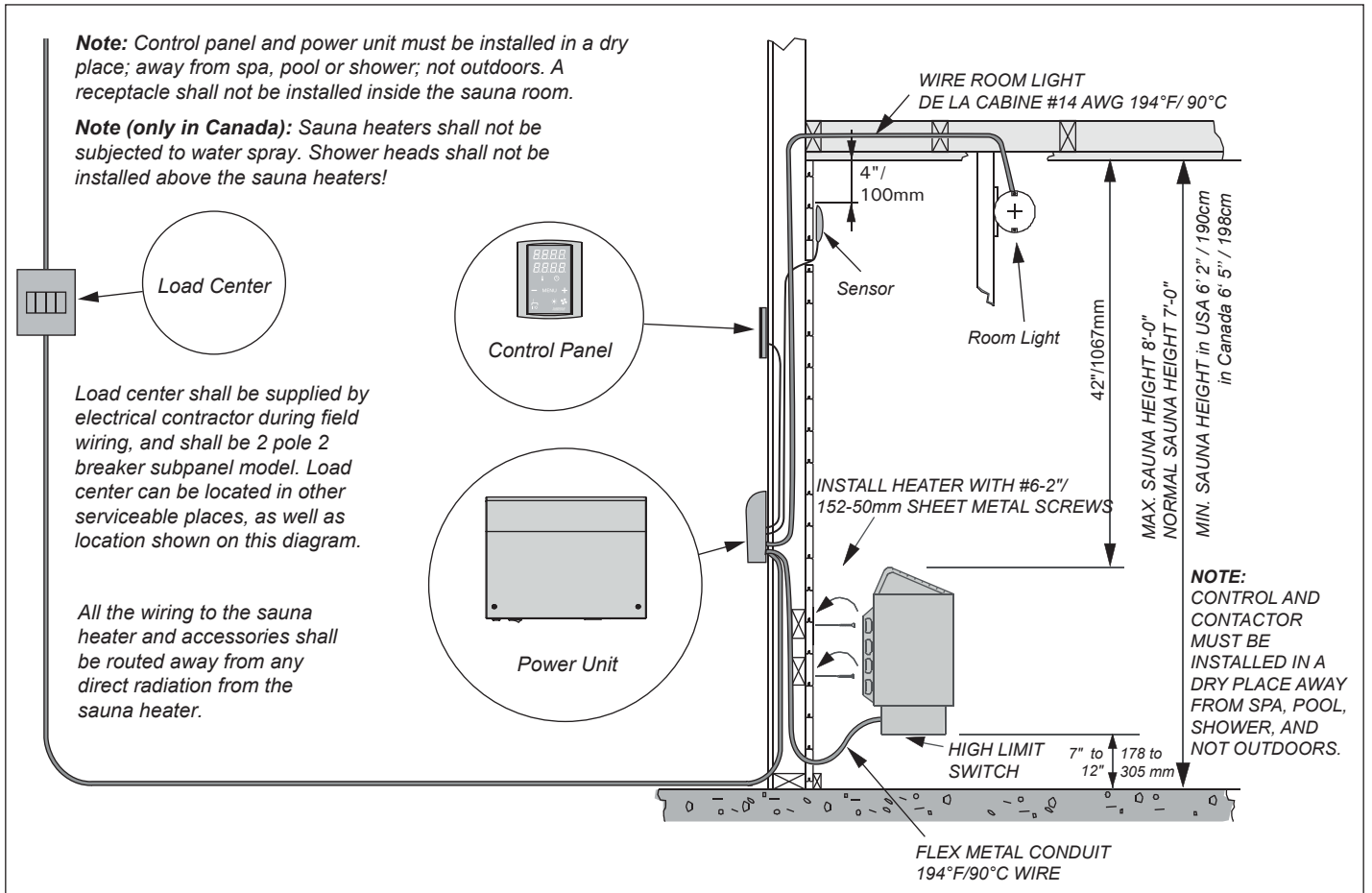


Figure 1. Digital Sauna Control CG170-U1, CG170-U3, CX170-U1 and CX170-U3

### INSTALLATION OF WALL MODEL HEATER, CONTROL, CONTACTOR

1. Remove heater from carton and attach heater to wall with screws are supplied. If wall thickness is less than 3/4" (19 mm), use 2"x 4" (50 x 100 mm) backing behind heater. Observe proper clearances as per page 3 and table 1.
2. See applicable wiring diagram fig. 5-6 for heater model. Heater must be permanently installed (no pigtails or plug allowed) and wiring must be done by a licensed electrician, who must follow wiring diagram provided and adhere to local codes. Use proper A.W.G. rated wire size and use copper wire suitable for 194°F (90°C) within Sauna walls. Use grounding terminals provided in Sauna heater, control system, and contactor to properly ground the equipment as per NEC and local codes.
3. Inside the heater box there are two signs. Please place the metal "CAUTION" sign on the interior wall of the Sauna room directly above the heater in a visible place. Place the metal "WARNING" sign outside, on the door of the Sauna room. "MAINTENANCE INSTRUCTIONS" are at the end of this manual.

**THE SAUNA ROOM SHALL BE PROVIDED WITH PROPER VENTILATION WALL-MOUNTED HEATERS-MINIMUM CLEARANCES, MIN-MAX SPACE, ADEQUATE VENTILATION**

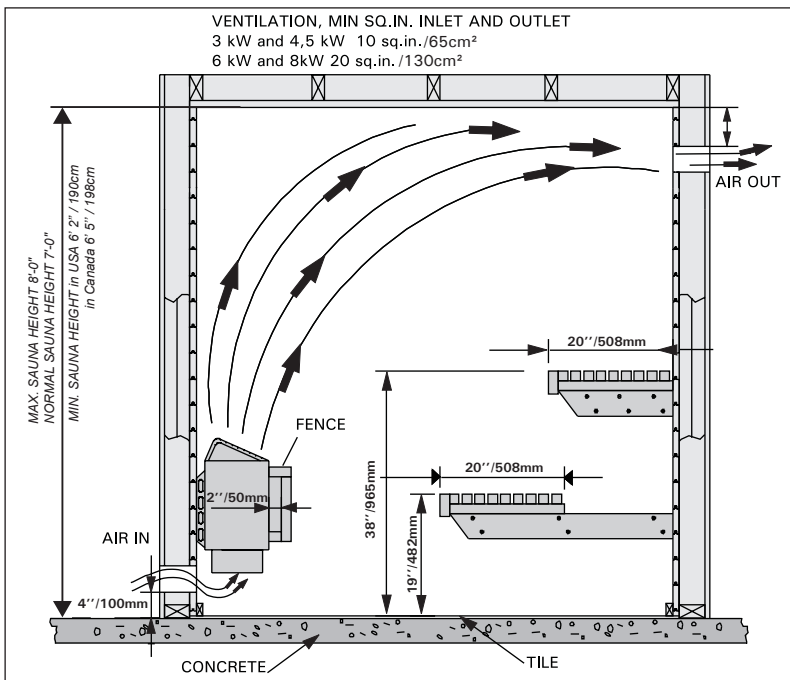


Figure 2.

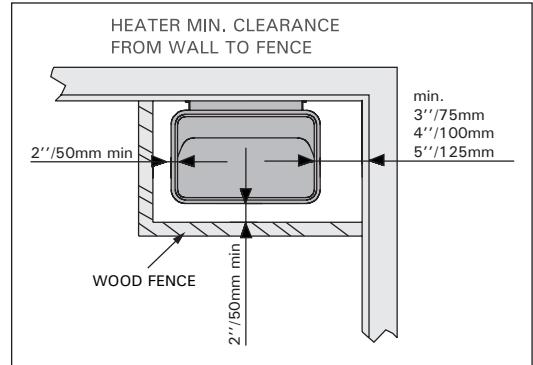


Figure 3.

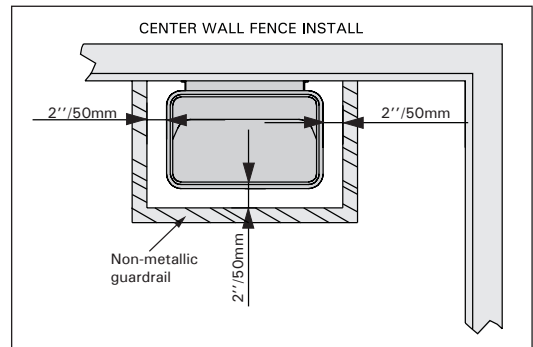


Figure 3a.

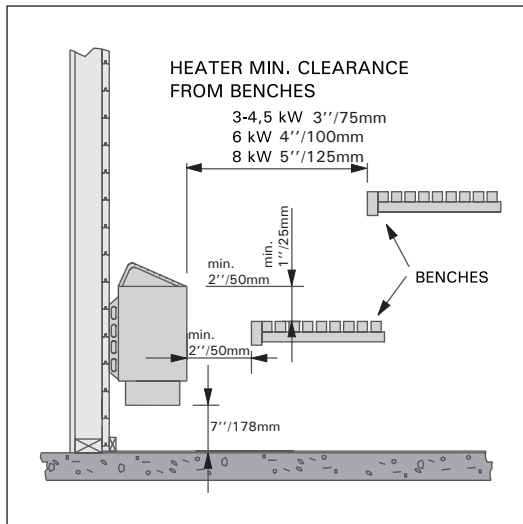


Figure 4.

MODEL	INPUT	MIN. HEIGHT	FLOOR AREA		SAUNA ROOM		MIN. SPACING FROM ADJACENT SURFACES, INCHES/MM
	kW		INCHES/MM	Min. Sq.Ft/ m <sup>2</sup>	Max. Sq.Ft/ m <sup>2</sup>	Min. Cu.Ft/ m <sup>3</sup>	
KIP-30-B/W	3.0	USA: 75/1900 CANADA: 78/1980	10/1	20/2	84/2,4	130/3,7	3/75
KIP-45-B/W	4.5		16/1,5	30/2,8	100/2,8	210/6	3/75
KIP-60-B/W	6.0		28/2,6	40/3,7	170/4,8	300/8,5	4/100
KIP-80-B/W	8.0		40/3,7	65/6	250/7,1	425/12	5/125

Table 1.

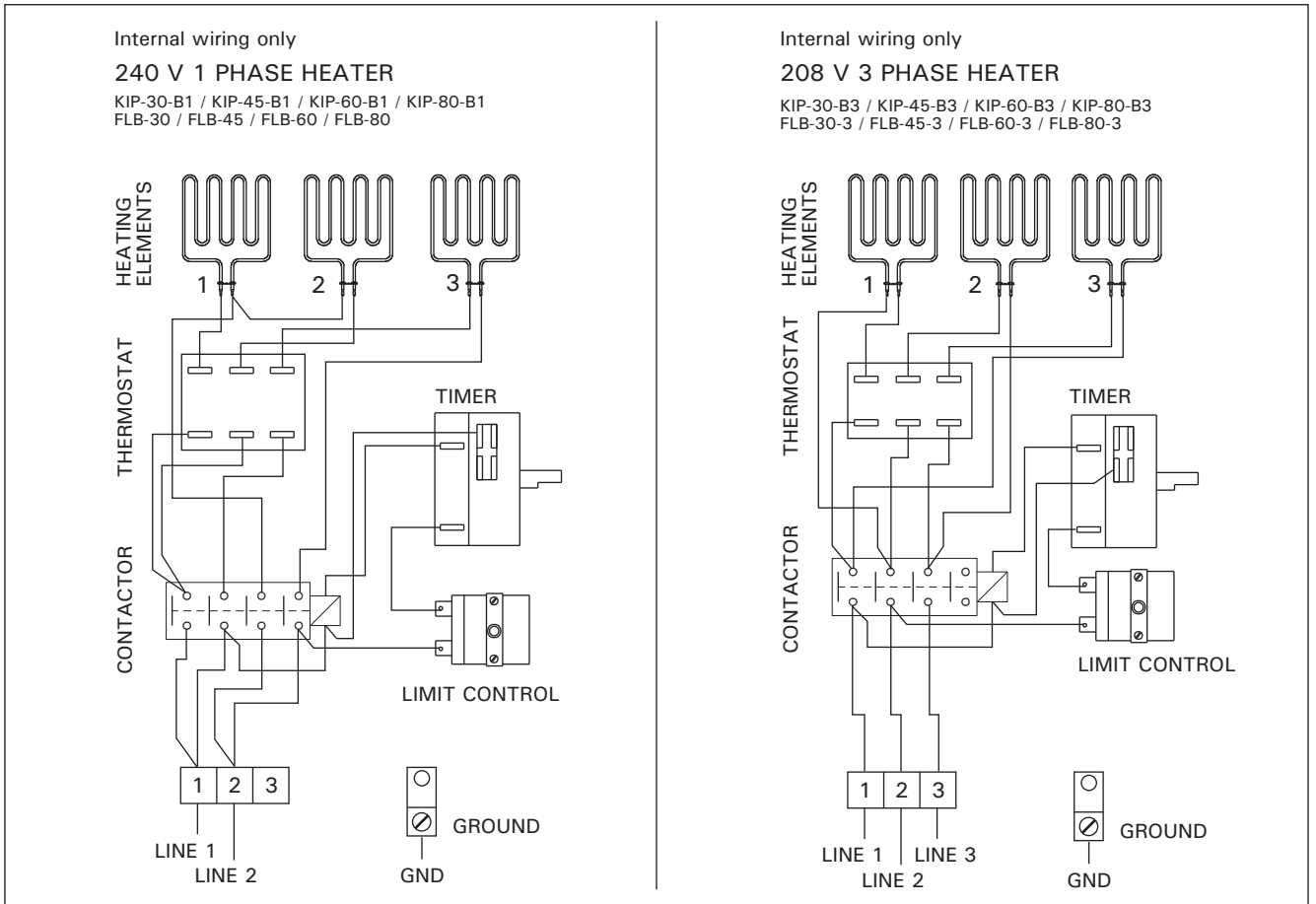


Figure 5.

SAUNA HEATER (240 V) WITH BUILT IN CONTROLS					
Model	kW	Amps	Voltage	Phase	Wire size
KIP-30-B1	3.0	12.5	240	1	12
KIP-45-B1	4.5	18.8	240	1	10
KIP-60-B1	6.0	25.0	240	1	10
KIP-80-B1	8.0	33.3	240	1	8

SAUNA HEATER (208 V) WITH BUILT IN CONTROLS					
Model	kW	Amps	Voltage	Phase	Wire size
KIP-30-B3	3.0	8.3	208	3	14
KIP-45-B3	4.5	12.5	208	3	14
KIP-60-B3	6.0	16.7	208	3	12
KIP-80-B3	8.0	22.2	208	3	10

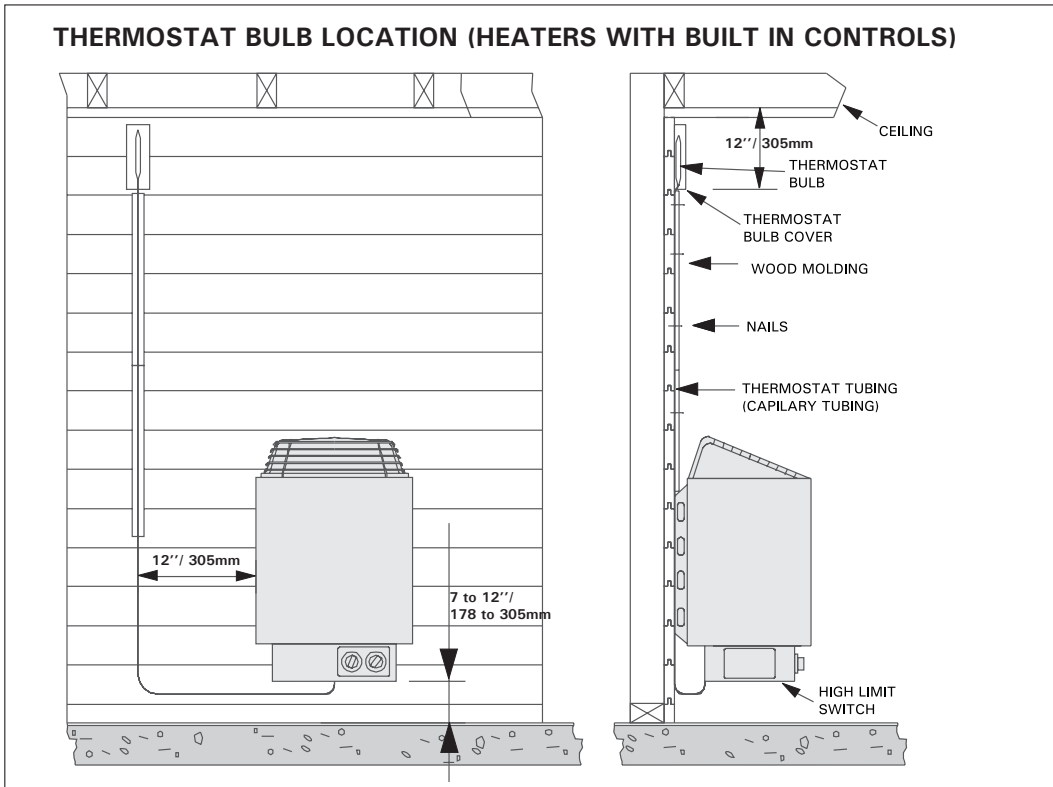


Figure 5a.

## SAUNA HEATER WIRING AND HOOKUP

**Important! Heaters with built in controls:** Before hooking up electrical wires to junction box of heater, remove capillary tubing and bulb from junction box and bring up wall to left or right side of heater. Cover tubing with wooden molding provided, coil up excess tubing, and place under heater close to floor.

Refer to chart page 4 for proper wire size and amperage. See page 3 for required clearances. Any wiring within internal Sauna walls must be rated 194°F (90°C) and copper wire must be used. Run wire through seal tight flex conduit from wall to heater and connect to junction box at back of heater with 194°F (90°) connector. Connect to terminals 1 and 2 and connect ground wire to lug marked ground. (Cover plate under heater must be removed first.)

## SAUNA TIMERS

Heaters have a 60 min. timer (0 to large 1 on the dial), and if you wish to use the full 60 min. cycle, turn the timer knob past the first 1 to number 2 or 3 on the dial. Then turn backward to the large 1 until a click is heard. Leave knob at the setting, and Sauna will operate for 1 hour before shutting off automatically.

Allow at least 30 minutes for room to heat up to an average Sauna temperature. Note!! If you set timer past first 1, timer will not come on until the time set has elapsed. The 60 min. timer is quiet. It does not tick.

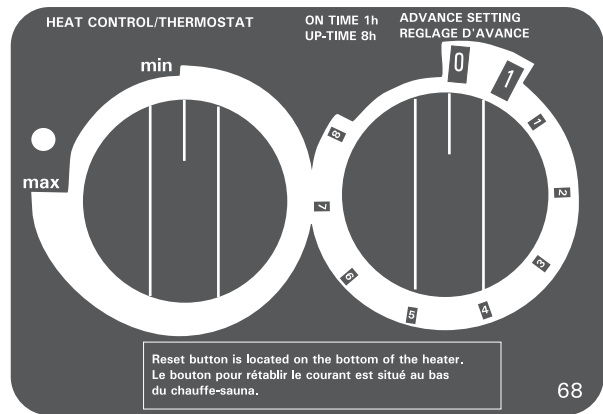
Have an added feature--an 8 hour time clock (small 1 to 8 on the timer dial). If you wish to preset your Sauna heater to automatically turn on when you are away, you may preset up to 8 hours in advance of Sauna bathing.

For eg., if you set the timer knob at number 3 setting, the Sauna heater will turn on 3 hours later, and will be ready for useage in 3 1/2 hours (allowing for 1/2 hour heat up time). The heater will shut off automatically in another half hour, and if you wish to continue using Sauna, reset the 60 min. timer

**Note!** If connection to heater will be made at a later time, bring flex into Sauna room 4–6" (100 – 150 mm) from floor, and leave 3' (900 mm) of flex for hookup (can be cut to right length later).

Before testing heater, fill rock cavity with igneous stones provided with heater and fasten metal rock guard at top of heater. (See general info concerning washing and placing of stones.)

Be sure to cover thermostat bulb with protective metal cover by threading bulb through holes in cover, and fasten bulb cover to wall with screws provided. Also, take care when nailing protective wood strips over capillary tubing, so that nails do not puncture tubing. If punctured, entire thermostat must be replaced.



back up to the large 1.

Have a heat control (thermostat) which must be set between minimum and maximum heating, or the timer will not cause the Sauna to heat. Put heat control setting to maximum, heat Sauna for 1/2 to 1 hour to observe adequate Sauna temperature. If room is too hot, adjust heat control knob back toward minimum setting, until desired temperature is reached.

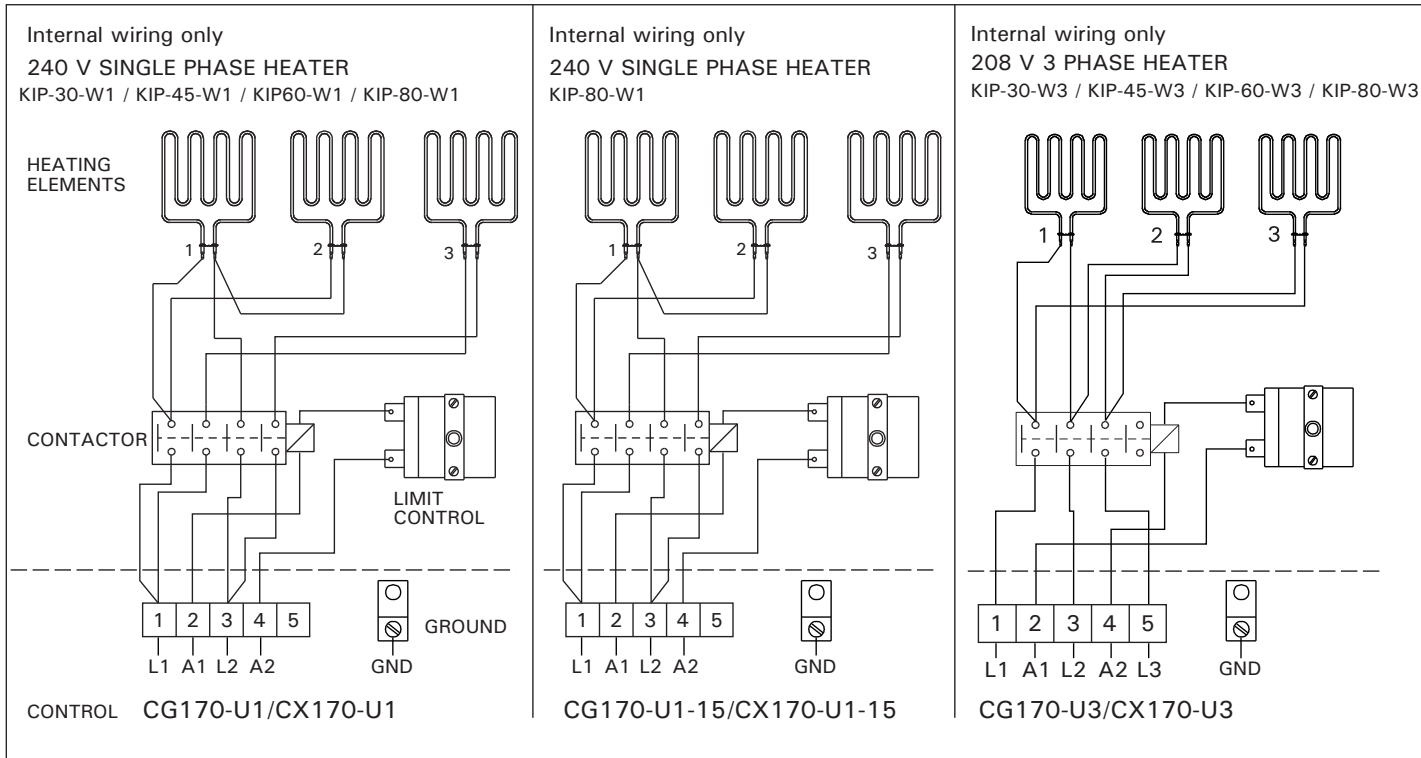


Figure 6. Wiring diagram

SAUNA HEATER (240 V) WITH CONTROL UNIT						
Model	kW	Amps	Voltage	Phase	Wire size	Control
KIP-30-W1	3.0	12.5	240	1	12	CG170-U1/CX170-U1
KIP-45-W1	4.5	18.8	240	1	10	CG170-U1/CX170-U1
KIP-60-W1	6.0	25.0	240	1	10	CG170-U1/CX170-U1
KIP-80-W1	8.0	33.3	240	1	8	CG170-U1-15/CX170-U1-15

SAUNA HEATER (208 V) WITH CONTROL UNIT CG170-U3/CX170-U3						
Model	kW	Amps	Voltage	Phase	Wire size	
KIP-30-W3	3.0	8.3	208	3	14	
KIP-45-W3	4.5	12.5	208	3	14	
KIP-60-W3	6.0	16.7	208	3	12	
KIP-80-W3	8.0	22.2	208	3	10	

## SAUNA – GENERAL INFORMATION

### Rock placement – do not operate heater without stones!

Use only the stones which are supplied with the Sauna heater. Wash stones with water hose and place inside of heater box so that rocks are between and around heating elements. However, do not force rocks between elements.

Use smaller stones first, and continue to fill heater with larger stones until they are about 2" (50 mm) below rock guard. You may not need all of the stones.

**Stones should be placed loosely within heater so that there is good heat circulation around and through them. Stones should completely cover the heating elements, however!**

**Pouring water over exposed elements could cause heater damage!**

### TESTING OF SAUNA HEATER

1. After Sauna heater has been properly wired, according to appropriate wiring diagram and local codes, turn Sauna breaker on in the main breaker panel. (Note! Electrician must label "Sauna" breaker.)
2. Turn thermostatic (heat) control to on position (this is located either on your heater or on your remote wall control. If you have a wall control, the indicator light will come on to show that the Sauna is heating). Set timer to 10 or 15 minutes.
3. Within 5 minutes, you should be able to feel heat from heater elements when holding your hand over heater.
4. If Sauna does not heat, refer to troubleshooting information.
5. It is normal for smoke to appear during the first heating, as protective element coating needs to burn off. **Turn sauna on for 1 hour before using the first time, to eliminate smoking.**

### TROUBLESHOOTING

#### A. If sauna does not operate after initial installation and wiring:

1. Check breaker to be sure that it is on. Also, breaker should be correct size.
2. Check circuit breaker in contactor to be sure that it has not been shorted out.
3. Be sure that thermostat and timer are both in on position.
4. Be sure that timer winds down. If timer has been shorted out, heater will not operate.

#### B. If sauna has been in operation, but heater ceases to operate:

1. Check breaker to make sure it is on.
2. Check timer to see if it winds down.
3. Check high limit reset button in heater (reset is under the heater (wall models) or on the back of the junction box (floor models)) to see if it has been released.
4. Call your electrician or service person for further help.

**NOTE! A ground fault interrupter (GFI) should not be installed in and does not belong in a Sauna. If used, the breaker will trip, and damage could result.**

#### C. If sauna heater operates, but sauna room does not come up to sauna temperature (160–185 °F (70 – 85 °C) normal sauna temperature):

1. You must allow at least 30 minutes for Sauna heat-up time.
2. Is Sauna thermometer located 6" (150 mm) from ceiling, and is it above or close to Sauna heater? (This is proper location for Sauna temperature reading.) Thermometer readings vary with room heights and location. Eg. 180 °F (82 °C) above Sauna heater = 165 °F (74 °C) on opposite wall = 140 °F (60 °C) on upper bench level = 120 °F (49 °C) on lower bench level = 100 °F (38 °C) at floor level.
3. Check for proper wire size, amp size, and proper wiring (according to diagrams and information) also necessary copper wiring.
4. Check for placement of stones to make sure they are loosely spaced around elements, to insure good air flow. Stones packed too tightly will restrict air flow and reduce heating capacity.
5. Check for heat loss (around or under door, around ceiling light or fan – we do not recommend ceiling light and a fan does not belong in the Sauna).
6. Is room properly insulated?
7. Is ceiling higher than 7' (2100 mm)?
8. After checking all the above, remove rocks and check heater elements for holes or burned areas. (Only if heater has been in use for some time.)

### CAUTION! ELECTRICIAN OR SERVICE PERSON!

1. **Before servicing heater, control, or contactor, turn power off at breaker!**
2. Open junction box to make sure wires are tightly secured with no loose connections. Heater wire and all connecting wires should be copper.
3. Check for burned spots or short in wiring of timer or thermostat.

**Warranty on parts is void if installer/electrician fails to follow necessary wiring information provided or fails to follow code for proper wire size, amperage, etc.**

### HIGH LIMIT CONTROL

Each heater is equipped with a high limit control which is a safety device. If an abnormal heating condition should occur, the heater will automatically shut off, and it will not come on again until it cools.

To reset the high limit, locate the reset button (bottom front on wall models, behind junction box at back bottom of heater on floor models) and push upward until contactor kicks in. Be sure that a GFI has not been installed.



**Overheat protector of the device can go off also at temperatures below -5 °C / 23 °F (storage, transport, environment). Before installation take the device to the warm environment. The overheat protector can be reset when the temperature of the device is approx 18 °C / 64 °F. The overheat protector must be reset before using the device.**



Receptacles OR PLUGS are not allowed in a Sauna room. If a speaker is installed in a Sauna room, it should not be installed higher than 3' (900 mm) from floor, away from the Sauna heater (consult manufacturer for ratings).

**ROOM LIGHT** should be a vapor proof, wall-mounted type, with rough-in box mounted flush with inside paneling. It should mount 6'6" from floor, not directly over Sauna heater, and not over upper benches; light bulb should not exceed 75 watts.

**HEATER FENCE** is necessary for safety and should be constructed of 1" x 2" (25 x 50 mm) or 2" x 2" (25 x 50 mm) softwood to match Sauna interior. See figures 2–4 for clearances from Sauna heater. Fence should attach to wall and should not be placed higher than top of heater below rock line.

## **ROOM CONSTRUCTION – GENERAL INFORMATION**

### **A. FRAMING**

- 2" x 4" (50 x 100 mm) any suitable wood material, 16" (406 mm) o.c.

### **B. CEILING HEIGHT**

- no higher than 7'0" (2100 mm).

### **C. INSULATION**

- R11 Fiberglas with foil back in walls and ceiling, foil facing into room.

### **D. DRYWALL**

- See local codes. Is not required in most residences. See local codes commercial. If drywall is used, apply 1" x 2" (25 x 50 mm) nailers so that wall and ceiling boards can be attached to solid wood.

### **E. PANELING**

- Use kiln-dried, clear, T & G softwood such as California Redwood, Western Red Cedar, Alaska Yellow Cedar, pine, spruce or other suitable wood material (with moisture content not exceeding 11 %).

### **F. BENCHES**

- Use matching wood of vertical grain. Fasten from bottom to prevent burning of bathers.

### **G. HEATER GUARDRAIL**

- Use matching softwood.

### **H. DOOR**

- Must open out and should not have a lock.

### **I. FLOORING**

- concrete, ceramic tile, or heavyduty Vinyl.

### **J. VENTILATION**

- should be provided by lower vent close to heater, 4" (100 mm) from floor, and upper vent on opposite wall (if possible) 6" (150 mm) from ceiling or as low as 24" (600 mm) from floor.

Vents should be adjustable and should allow air to change 5 times per hour. Sauna shall be provided with intended ventilations as required per the local code authorities.

### **K. LIGHT**

- should be wall-mounted, vapor proof type, located 6" (150 mm) from ceiling.

### **L. ACCESSORIES**

- bucket, dipper and thermometer are essential. Thermometer should be placed over the Sauna heater, 6" (150 mm) from ceiling, for correct temperature reading. Other accessories such as hygrometer, sand timer, brushes, etc. are available.

### **M. MAINTENANCE INSTRUCTIONS**

- are included at the end of this manual.

### **N. WARNING SIGNS**

- are furnished with Sauna heater. The metal "CAUTION" sign should be fastened to wall, close to heater, in a visible place. The metal "WARNING" sign should be fastened outside, to the Sauna room door.

### **WARNINGS!**

**Do not smoke, use alcohol, or exercise in the sauna!**

**Do not exceed 30 min. in the sauna at one time, as excessive exposure can be harmful to health. The sauna should not be used as an endurance test!**

**Persons with poor health should consult persons their physicians before using the sauna!**

**Avoid fire, do not place any combustible material over the sauna heater (towels, bathing suits, wooden bucket or dipper)!**

**Use only clean tap water on the stones – do not use pool or spa water, as chlorine gas can be produced and the heating elements can be damaged!**

**Hyperthermia occurs when the internal temperature of the body reaches a level several degrees above the normal body temperature of 98,6°F (37°C). The symptoms of hyperthermia include an increase in the internal temperature of the body, dizziness, lethargy, drowsiness, and fainting.**

**The effects of hyperthermia include:**

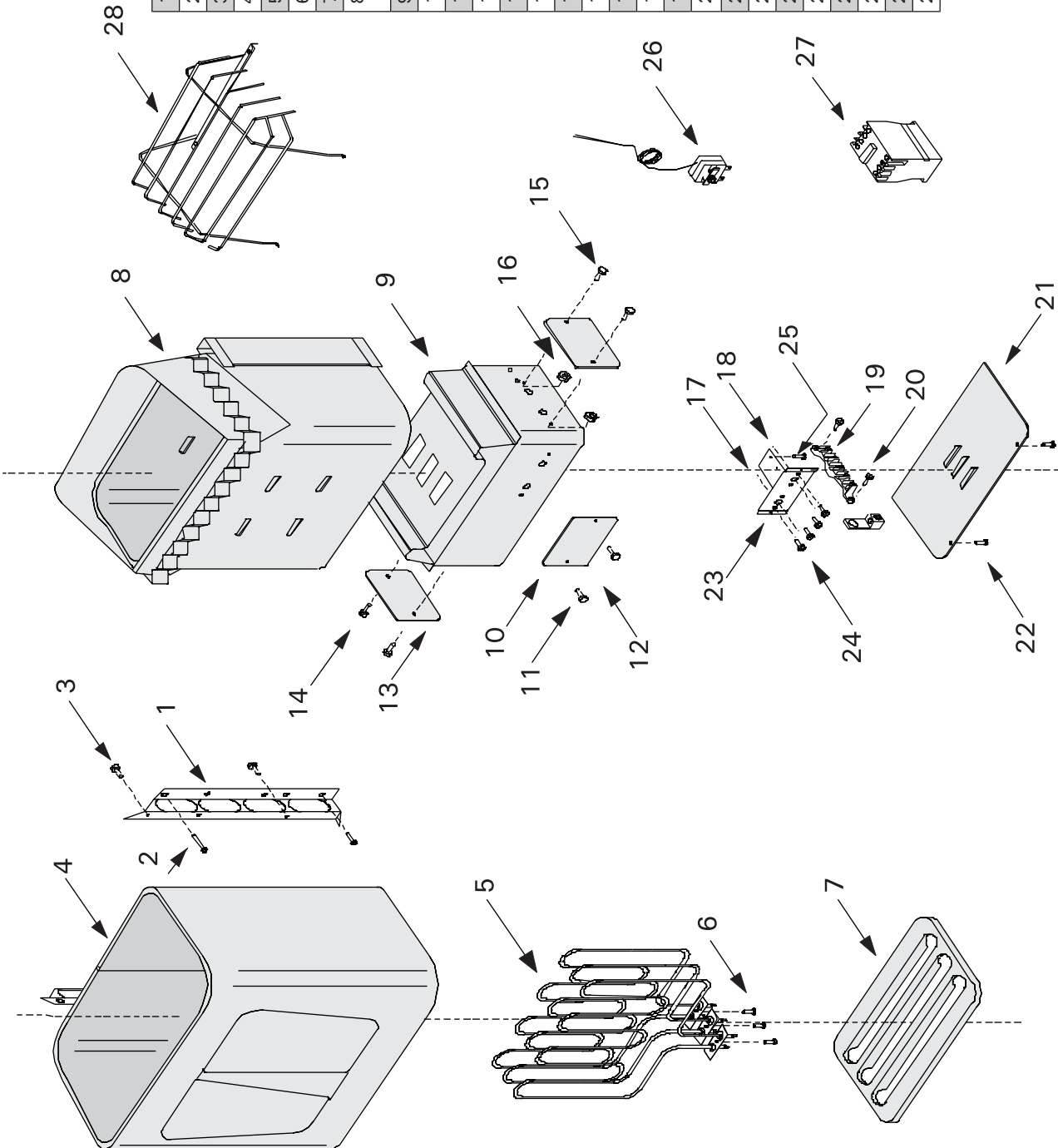
- A) Failure to perceive heat**
- B) Failure to recognize the need to exit the room**
- C) Unawareness of impending hazard**
- D) Fatal damage in pregnant women**
- E) Physical inability to exit the room**
- F) Unconsciousness**

**Warning – the use of alcohol, drugs or medication is capable of greatly increasing the risk of fatal hyperthermia!**

# KIP-60-B1/KIP-60-B3

Sauna heaters type -W1, W3 without parts nr 12, 17 and 18

1.	Wall bracket
2.	Tapping screw
3.	Tapping screw
4.	Casing
5.	Heating element
6.	Slothead screw
7.	Bottom grille
8.	Stone compartment, assembled (frame)
9.	Electrical casing, assembled
10.	Plate
11.	Screw
12.	Tapping screw
13.	Rating plate
14.	Slothead screw
15.	Slothead screw
16.	Hexagon nut
17.	Thermostat
18.	Timer
19.	Terminal strip (USA)
20.	Strip fixing screw (USA)
21.	Base plate
22.	Screw
23.	Bracket
24.	Slothead screw
25.	Slothead screw
26.	Overheating limiter/switch
27.	Contact (USA)
28.	Protective grille



JH30B2401 - JH80W2083 H12/94  
 JF30B2401 - JFIN802083 H12/94

## MAINTENANCE INSTRUCTIONS

1. Use only clean water on Sauna stones. **Do not** use spa or pool water as it will destroy your heater.
2. Clean water should always be used in Sauna buckets and water should be dumped out after every use. Scour buckets and dippers occasionally when film collects from usage. Use plastic bucket liner in bucket to prevent water leakage.
3. Scrub benches with a soft brush, using soap and water or a mild disinfectant, when needed – about once a week in commercial Saunas, or depending upon Sauna usage. For sanitation, each bather should sit or lie on a towel (this will prolong bench life).
4. Remove possible removable flooring and wash waterproof floor with disinfectant (e.g. Pine Sol) about once a week or as often as needed. Hose off removable flooring to clean.
5. To maintain beautiful appearance of Sauna heater, remove water stains by wiping with a damp cloth occasionally.
6. Sauna Heaters require no special maintenance when properly installed by a qualified electrical contractor. After 5 years of usage, the rocks may need replacing if they have crumbled or powdered.
7. We strongly recommend a floor that can be easily cleaned (concrete, ceramic tile, or a poured type of flooring). When this is provided, the Sauna can be easily cleaned and kept in a sanitary condition with little effort. A carpet is NOT recommended for a Sauna! A carpet becomes a perfect breeding ground for bacteria in the moist conditions of a Sauna; and a carpet promotes the spread of foot diseases such as athlete's foot. For the same reasons, wooden duckboard should not be used for flooring.
8. In new construction, a floor drain should also be provided, especially in commercial Saunas for sanitary cleaning and maintenance.
9. Seal wood around glass in door—inside and outside—with Thompson's Water Seal to prevent warpage.
10. When Sauna wood becomes stained from perspiration, the wood may be lightly sanded with fine sandpaper to restore beautiful appearance. We do not recommend stains or sealers as toxic vapors may appear when heated. However, 2 coats of Thompson's Water Seal may be used on the wood benches in a commercial Sauna, so that the wood may be more easily cleaned and kept sanitary – the wood will not absorb perspiration.
11. The Sauna room will heat faster if the higher vent is kept in a closed position when heating. The lower vent may always be kept in an open position.
12. Required warning signs should be posted according to the instructions.

**Owner of the sauna heater must make sure that sauna heater is turned off correctly every time after bathing.**

**Owner of the sauna heater must obey these maintenance instructions!**

**GUARANTEE**

This HARVIA SAUNA heater is guaranteed for one year from date of purchase, and includes all heater parts such as heating elements, controls, contactors, etc.

This guarantee covers faults in manufacture and material only, and includes the exchange of new parts supplied by the manufacturer or importer, after the faulty part has been returned to same. The replacement of parts under warranty does not extend the warranty period beyond the original one year.

The guarantee does not cover defects caused by normal wear and tear, defects caused by improper installation, poor maintenance, or failure to follow the manufacturer’s instructions for installation, use and care, or alterations made to the Sauna product.

This guarantee is void if the heater is used improperly, pool or spa water should not be poured over the Sauna stones, as chemicals are harmful to the heater; the Sauna room must be heated for at least 30 minutes before water is poured over

the stones; only one or two dippers full of water should be poured over the hot stones at one time. This guarantee will be void if a shower has been installed in the Sauna room.

This guarantee does not cover delivery costs of the faulty part or costs of the person carrying out the repair in the field. If the Sauna heater is returned to the manufacturer or the importer within five years after date of purchase, the importer will provide free labor for repair, but will charge for parts if date of purchase is past one year.

This guarantee will be void if installation and wiring is not carried out by a certified electrician or authorized and qualified service representative, who must sign below.

This guarantee will be void if information below is not filled out and returned within 15 days of purchase, and it applies only to original installation of product and to original purchaser.

HARVIA SAUNA HEATER	_____
MODEL NUMBER	_____
DATE OF PURCHASE	_____
ORIGINAL OWNER	_____
ADDRESS	_____ _____
PURCHASED FROM	_____ _____
ELECTRICAL CONTRACTOR	_____
MUST SIGN HERE	_____
DATE OF ELECTRICAL	_____
WIRING & HOOKUP	_____

# HARVIA

## **FR** Manuel de l'utilisateur/opérateur

Instructions d'installation, de câblage et d'utilisation, dépannage, entretien et garantie du poêle de sauna.

**IMPORTANT !** Ce manuel doit être remis au propriétaire, au gérant ou à l'opérateur du sauna après avoir été utilisé par l'électricien !

### MODÈLE

KIP-30-B1  
KIP-45-B1  
KIP-60-B1  
KIP-80-B1

KIP-30-B3  
KIP-45-B3  
KIP-60-B3  
KIP-80-B3

### MODÈLE

KIP-30-W1  
KIP-45-W1  
KIP-60-W1  
KIP-80-W1

### MODÈLE

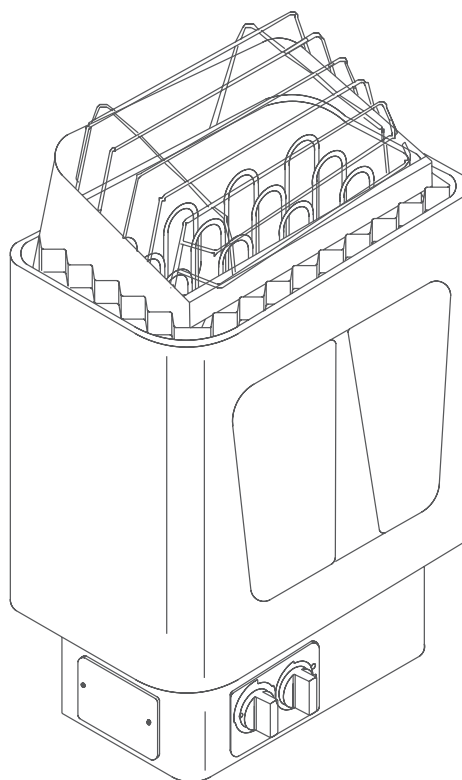
KIP-30-W3  
KIP-45-W3  
KIP-60-W3  
KIP-80-W3

### COMMANDES

CG170-U1  
CG170-U3  
CX170-U1  
CX170-U3

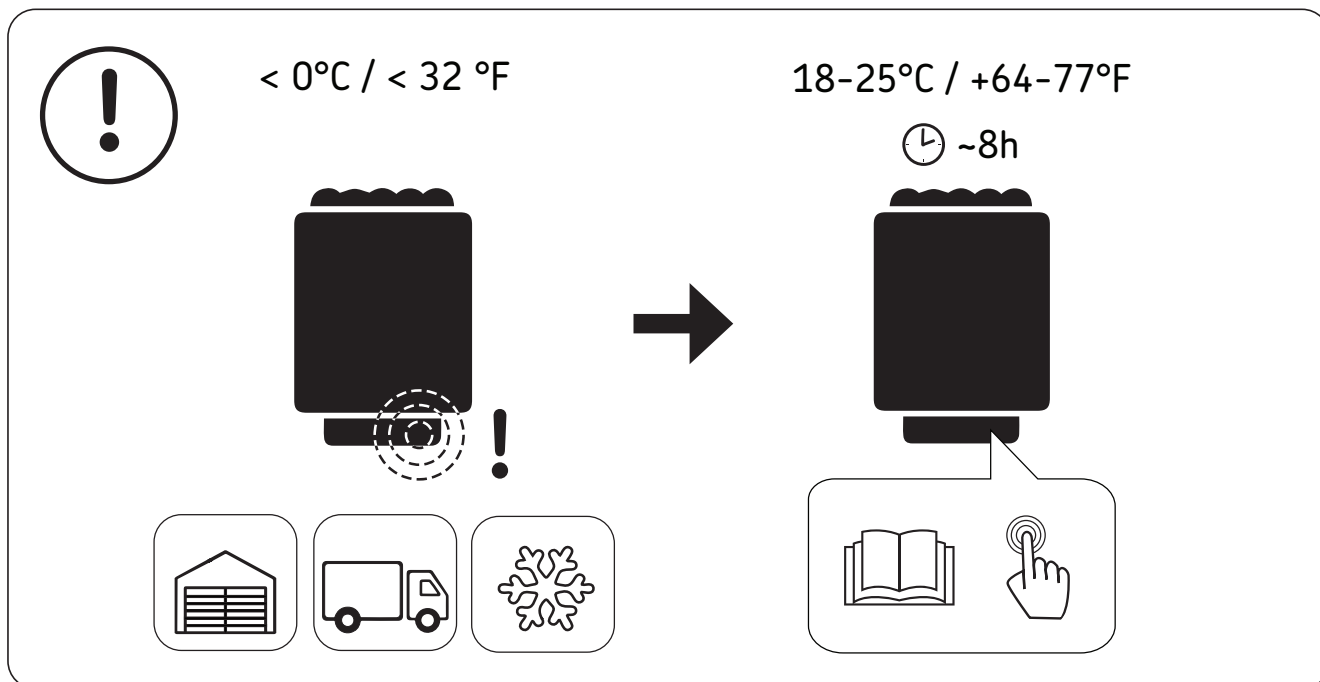



LISTED 6J21  
SAUNA HEATER



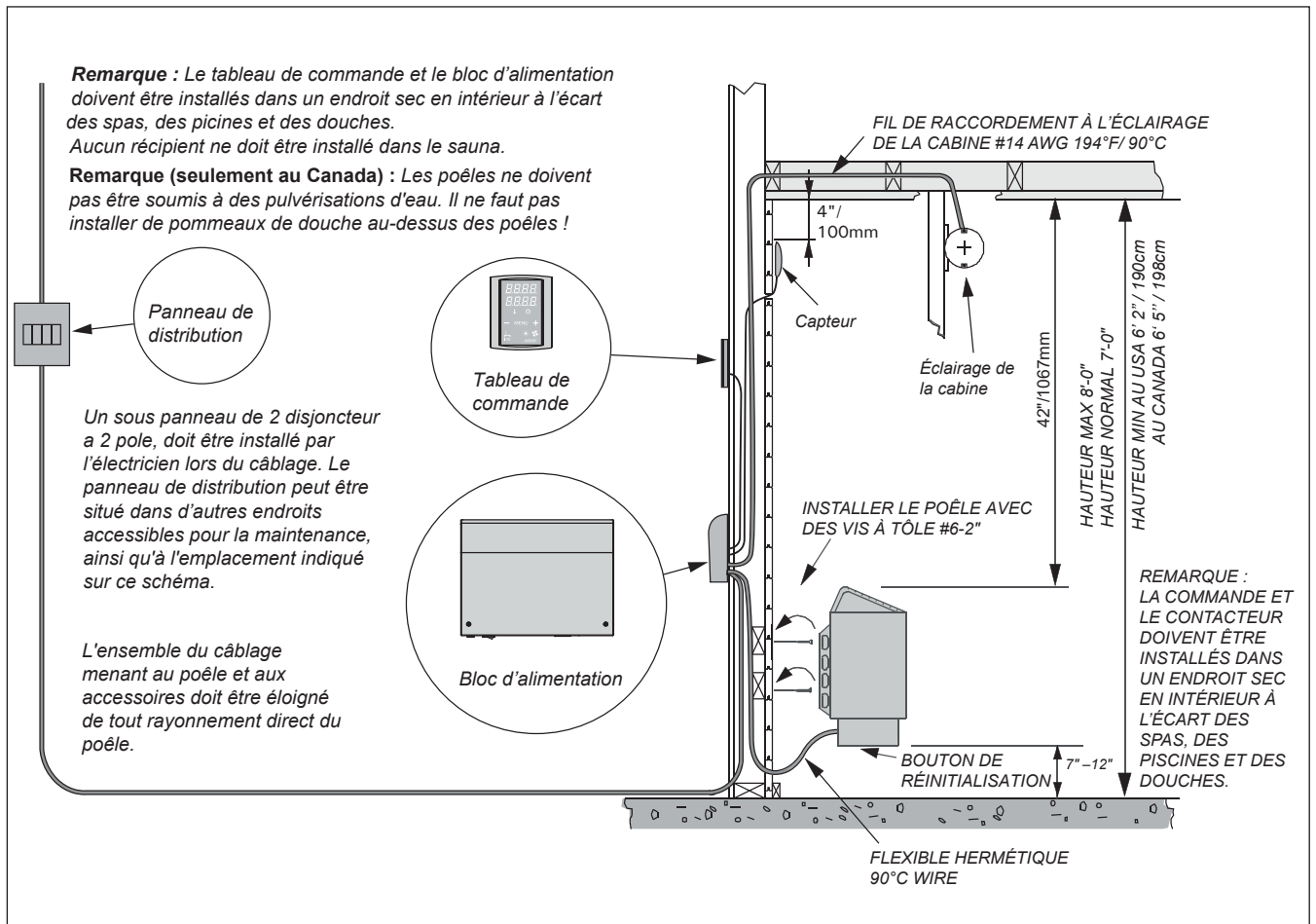
Sauna Specialiste Inc.  
Dessere Nord Autoroute 440 O  
Laval, Quebec, H7L 3W3  
Toll free: 1 855-689-2422

Harvia US Inc.  
32282 Seneca Trail, Renick,  
WV 24966  
+ 1 304-497-3991




**La sécurité-surchauffe de l'appareil peut également se déclencher à des températures inférieures à -5 °C / 23 °F (stockage, transport, environnement). Avant l'installation, placez l'appareil dans un endroit chaud. La sécurité-surchauffe peut être réinitialisée quand la température de l'appareil se situe à env. 18 °C / 64 °F. La sécurité-surchauffe doit être réinitialisée avant d'utiliser cet appareil. Reportez-vous au manuel > Réinitialisation de la sécurité-surchauffe.**

## LA CABINE DU SAUNA DOIT ÊTRE SUFFISAMMENT AÉRÉE



### INSTALLATION DU POËLE MURAL, COMMANDE, CONTACTEUR

1. Sortez le poêle du carton et fixez-le à la paroi avec les vis fournies. Si la paroi mesure moins de 3/4" (19 mm) d'épaisseur, utilisez un support de 2" x 4" (50 x 100 mm) derrière le poêle. Respectez les dégagements indiqués dans le tableau 1, page 3.

2. Voir le schéma de câblage correspondant au modèle de poêle, fig. 5-6. Le poêle doit être installé de façon permanente (sans spirale de raccord ni prise de courant mâle) et le câblage doit être effectué par un électricien agréé qui doit suivre le schéma de câblage fourni et respecter les codes locaux. Utilisez du fil de cuivre du bon calibre pouvant résister à une température de 194°F (90 °C) à l'intérieur des parois du sauna. Utilisez les bornes de terre prévues sur le poêle du sauna, le système de commande et le contacteur pour mettre l'équipement à la terre conformément au code national de l'électricité et aux codes locaux.

3. La boîte du poêle contient deux écriteaux. Placez l'écriteau « CAUTION » sur la paroi intérieure de la cabine du sauna, bien en évidence au-dessus du poêle. Placez l'écriteau métallique « WARNING » à l'extérieur, sur la porte de la cabine. Vous trouverez les « INSTRUCTIONS D'ENTRETIEN » à la fin de ce manuel.

# LA CABINE DU SAUNA DOIT ÊTRE SUFFISAMMENT AÉRÉE. POÊLES MONTÉS SUR LE PLANCHER : DÉGAGEMENT MINIMAL, ESPACE MIN.-MAX., AÉRATION ADÉQUATE

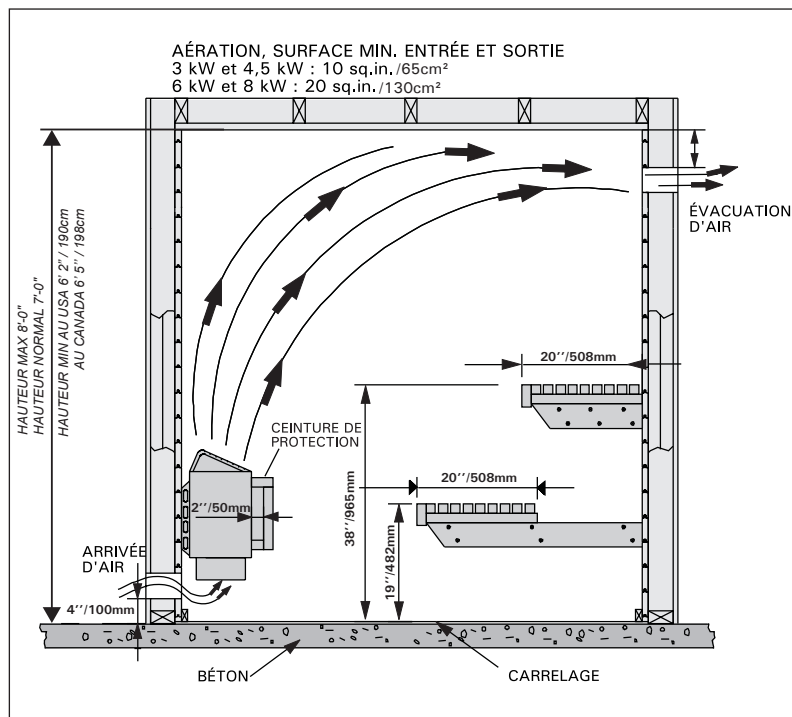


Figure 2.

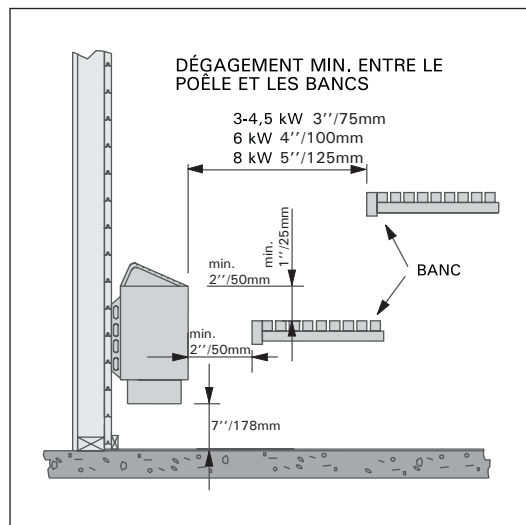


Figure 4.

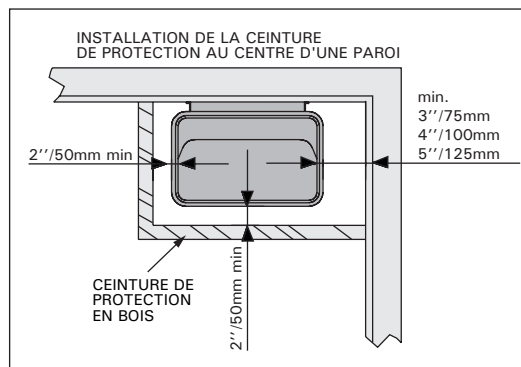


Figure 3.

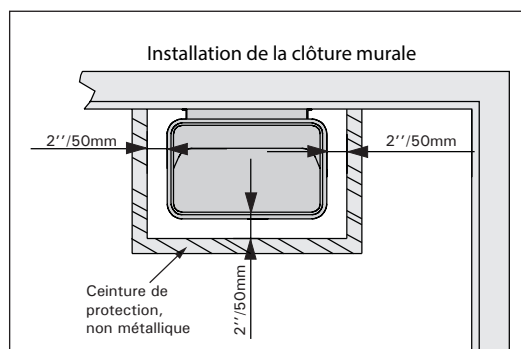


Figure 3a.

MODÈLE	CONSUMMATION EN kW	HAUTEUR MIN. POUCES/MM	SURFACE AU SOL		SAUNA		DISTANCE MIN. DE LA SURFACE ADJACENTE EN POUCES/MM
			Min. Pieds carres/m <sup>2</sup>	Max. Pieds carres/m <sup>2</sup>	Min. Pieds cubes/m <sup>3</sup>	Max. Pieds cubes/m <sup>3</sup>	
KIP-30-B/W	3.0	USA: 75/1900 CANADA: 78/1980	10/1	20/2	84/2,4	130/3,7	3/75
KIP-45-B/W	4.5		16/1,5	30/2,8	100/2,8	210/6	3/75
KIP-60-B/W	6.0		28/2,6	40/3,7	170/4,8	300/8,5	4/100
KIP-80-B/W	8.0		40/3,7	65/6	250/7,1	425/12	5/125



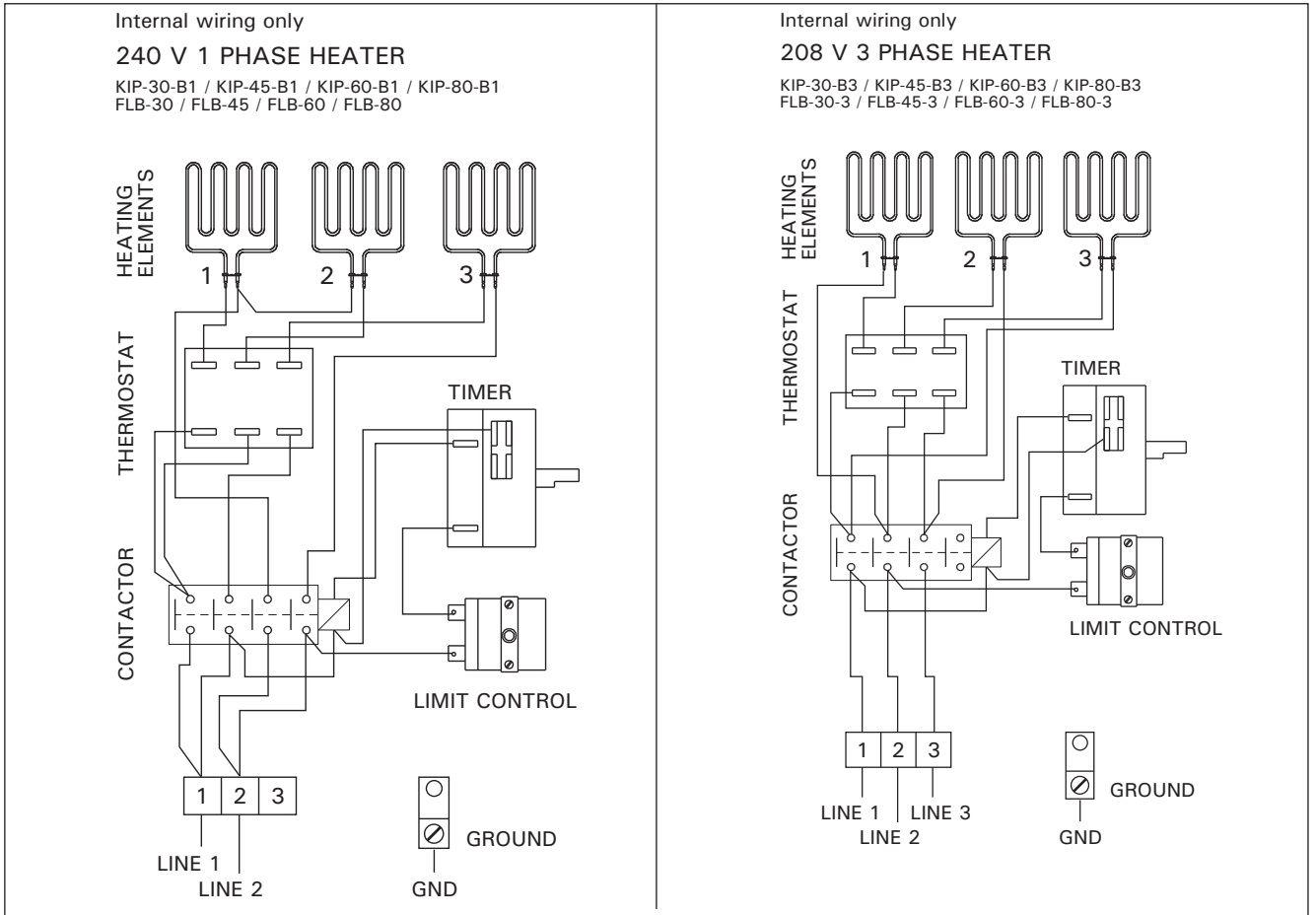


Figure 5.

POELÉ POUR SAUNA (240 V) AVEC COMMANDES INTÉGRÉES					
Modèle	kW	Ampères	Tension	PH	Calibre de fil
KIP-30-B1	3.0	12.5	240	1	12
KIP-45-B1	4.5	18.8	240	1	10
KIP-60-B1	6.0	25.0	240	1	10
KIP-80-B1	8.0	33.3	240	1	8

POELÉ POUR SAUNA (208 V) AVEC COMMANDES INTÉGRÉES					
Modèle	kW	Ampères	Tension	PH	Calibre de fil
KIP-30-B3	3.0	8.3	208	3	14
KIP-45-B3	4.5	12.5	208	3	14
KIP-60-B3	6.0	16.7	208	3	12
KIP-80-B3	8.0	22.2	208	3	10

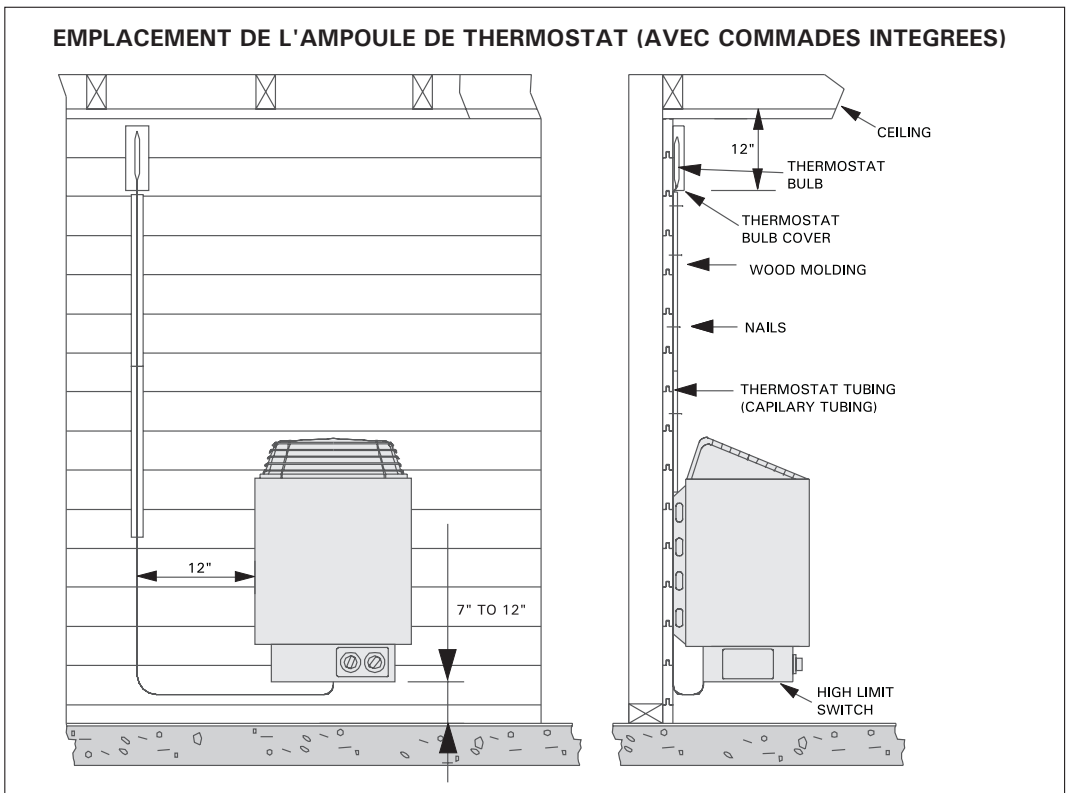


Figure 5a.

## CÂBLAGE ET RACCORDEMENT DU POÊLE

**Important !** Avant de raccorder les câbles électriques à la boîte à bornes du poêle, retirez le tube et le bulbe capillaires de la boîte, et installez-les sur la paroi, à gauche ou à droite du poêle. Recouvrez le tube avec une moulure en bois fournie, enroulez l'excès de tube, puis placez-le sous le poêle, près du sol.

Consultez le tableau de la page 4 pour connaître le calibre et l'intensité corrects du fil. Voir page 3 pour connaître le dégagement requis. Tout câblage réalisé à l'intérieur des parois du sauna doit pouvoir résister à une température de 194°F (90°C) et doit être effectué avec du fil de cuivre. Passez le fil dans le flexible hermétique allant de la paroi au poêle, puis raccordez-le à la boîte à bornes située à l'arrière du poêle avec un connecteur 194°F (90°). Raccordez le fil aux bornes 1 et 2, puis le fil de terre à la cosse correspondante. (La plaque de finition située sous le poêle doit d'abord être retirée.)

**Remarque !** Si la connexion au poêle doit être effectuée ultérieurement, amenez un flexible dans la cabine du sauna à 4-6" (100 - 150 mm) du plancher et laissez-en 3' (900 mm) pour le raccordement. (Il pourra être coupé de la bonne longueur ultérieurement.)

Avant de tester le poêle, remplissez la cavité prévue à cet effet avec les pierres ignées fournies avec le poêle et fixez la protection métallique des pierres en haut du poêle. (Voir les informations générales sur le lavage et la disposition des pierres.)

Veillez à recouvrir le bulbe thermostatique d'un couvercle de protection en métal en faisant passer le bulbe dans les orifices du couvercle, puis fixez le couvercle du bulbe à la paroi avec les vis fournies. Lors du clouage des baguettes de protection en bois sur le tube capillaire, veillez également à ce que les clous ne perforent pas le tube. En cas de perforation, le thermostat entier doit être remplacé.

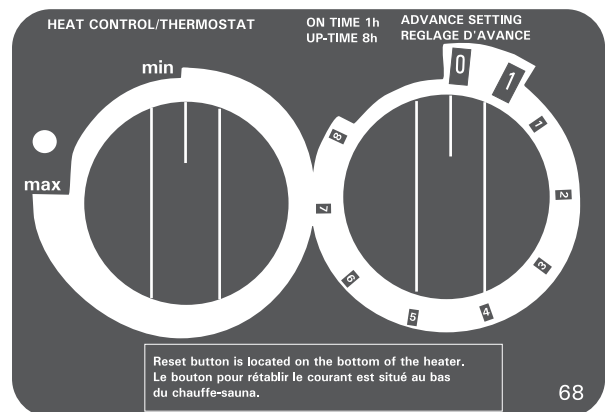
## MINUTERIE DU SAUNA

Vous disposez d'une minuterie de 60 minutes (de 0 au grand 1 sur le cadran) ; pour utiliser le cycle de 60 minutes complet, tournez le bouton de la minuterie du premier 1 vers le numéro 2 ou 3 sur le cadran. Tournez-le ensuite vers l'arrière pour le positionner sur le grand 1 jusqu'à entendre un clic. Laissez le bouton sur ce réglage ; le sauna fonctionnera pendant 1 heure, puis s'arrêtera automatiquement.

Il faut au moins 30 minutes pour que la pièce atteigne une température de sauna moyenne. **Remarque !** Si vous réglez la minuterie au-delà du premier 1, elle ne se déclenchera qu'après la durée indiquée. La minuterie de 60 minutes est silencieuse. Elle ne tictaque pas.

Vous disposez également d'une horloge de 8 heures (petit 1 à 8 sur le cadran). Pour programmer le poêle du sauna afin qu'il s'allume automatiquement en votre absence, vous pouvez programmer une séance de sauna jusqu'à 8 heures à l'avance.

Par exemple, si vous placez le bouton sur la position 3, le poêle du sauna s'allumera 3 heures plus tard et sera prêt pour utilisation 3h30 plus tard (compte tenu des 30 minutes nécessaires à la chauffe). Le poêle s'arrêtera automatiquement 30 minutes plus tard et, si vous souhaitez continuer à



utiliser le sauna, repositionnez la minuterie de 60 minutes sur le grand 1.

Le sélecteur de réglage de la chaleur (thermostat) doit être placé entre les chaleurs minimum et maximum, sinon la minuterie ne déclenchera pas le chauffage du sauna. Réglez la chaleur sur le maximum, puis laissez chauffer le sauna pendant 30 minutes à 1 heure afin d'observer la température de sauna adéquate. S'il fait trop chaud dans la pièce, placez le sélecteur de réglage de la chaleur sur le minimum jusqu'à atteindre la température souhaitée.

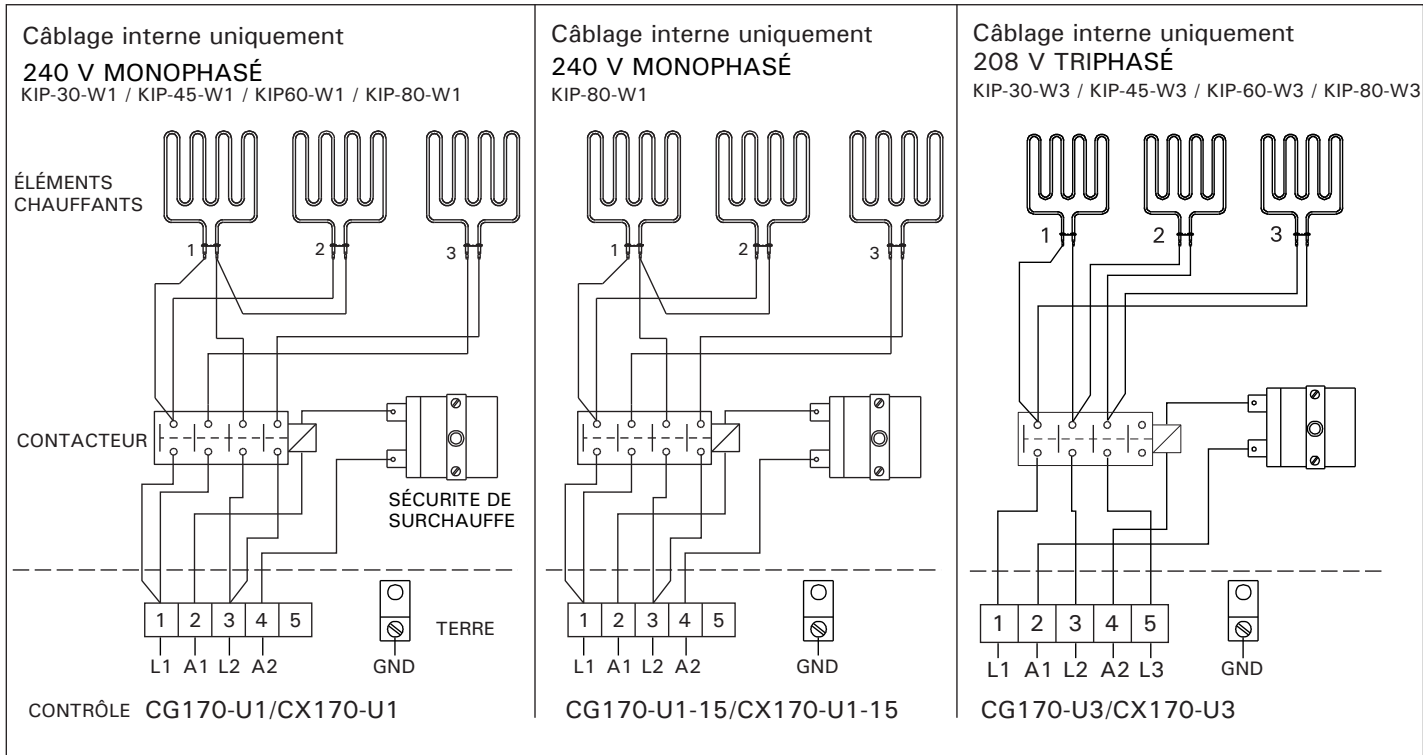


Figure 6. Le schéma de câblage

POÊLE POUR SAUNA (240 V) AVEC COMMANDE MURALE						
Model	kW	Amps	Voltage	Phase	Wire size	Control
KIP-30-W1	3.0	12.5	240	1	12	CG170-U1/CX170-U1
KIP-45-W1	4.5	18.8	240	1	10	CG170-U1/CX170-U1
KIP-60-W1	6.0	25.0	240	1	10	CG170-U1/CX170-U1
KIP-80-W1	8.0	33.3	240	1	8	CG170-U1-15/CX170-U1-15

POÊLE POUR SAUNA (208 V) AVEC COMMANDE MURALE CG170-U3/CX170-U3					
Model	kW	Amps	Voltage	Phase	Wire size
KIP-30-W3	3.0	8.3	208	3	14
KIP-45-W3	4.5	12.5	208	3	14
KIP-60-W3	6.0	16.7	208	3	12
KIP-80-W3	8.0	22.2	208	3	10

## SAUNA : INFORMATIONS GÉNÉRALES

### DISPOSITION DES PIERRES : ne faites pas fonctionner le poêle sans pierres !

Utilisez uniquement les pierres fournies avec le poêle du sauna. Lavez les pierres avec un jet d'eau et placez-les dans la cavité du poêle afin qu'elles soient disposées entre les résistances et autour. Ne forcez toutefois pas pour les coincer entre les résistances.

Utilisez d'abord les pierres les plus petites et continuez à remplir le poêle avec des pierres plus grosses jusqu'à ce qu'elles arrivent à environ 2" (50 mm) au-dessous de leur protection.

Vous n'aurez pas forcément besoin de toutes les pierres.

**Les pierres ne doivent pas être trop serrées dans le poêle afin que la chaleur puisse bien circuler entre elles et autour. Elles doivent cependant couvrir entièrement les résistances !**

**Si vous versez de l'eau directement sur les résistances, vous risquez d'endommager le poêle !**

### TEST DU POÊLE DU SAUNA

1. Une fois le poêle du sauna correctement raccordé conformément au schéma de câblage approprié et aux codes locaux, fermez le circuit électrique du sauna au niveau du tableau principal de coupe-circuit. (**Attention ! L'électricien doit étiqueter le coupe-circuit « Sauna ».**)
2. Mettez la commande du thermostat (chaleur) en position de marche. (Elle se trouve sur le poêle ou sur la télécommande murale. Si vous disposez d'une commande murale, le voyant s'allume pour indiquer que le sauna chauffe.) Réglez la minuterie sur 10 ou 15 minutes.
3. Au bout de 5 minutes, vous devez pouvoir sentir la chaleur diffusée par les résistances lorsque vous tenez la main au-dessus du poêle.
4. Si le sauna ne chauffe pas, consultez les informations sur le dépannage.
5. Il est normal que de la fumée se dégage la première fois que le poêle fonctionne car le revêtement protecteur des résistances doit se consumer. **Faites fonctionner le sauna pendant 1 heure avant de l'utiliser pour la première fois afin de laisser la fumée se dissiper.**

### DÉPANNAGE

#### A. Si le sauna ne fonctionne pas après l'installation et le câblage :

1. Vérifiez que le circuit électrique est fermé au niveau du coupe-circuit. Le coupe-circuit doit aussi être de la bonne taille.
2. Vérifiez que le coupe-circuit du contacteur n'a pas été déclenché.
3. Vérifiez que le thermostat et la minuterie sont tous les deux en position de marche.
4. Vérifiez que la minuterie fonctionne. Si le circuit est coupé au niveau de la minuterie, le poêle ne peut pas fonctionner.

#### B. Si le sauna a déjà fonctionné mais que le poêle ne fonctionne plus :

1. Vérifiez que le circuit électrique est fermé au niveau du coupe-circuit.
2. Vérifiez le fonctionnement de la minuterie.

3. Regardez si le bouton de réinitialisation à maximum du poêle a été déclenché. (Le bouton de réinitialisation est situé sous le poêle (modèles muraux) ou à l'arrière du boîtier de connexion (modèles montés sur le plancher).
4. Demandez de l'aide à un électricien ou un technicien de maintenance.

**REMARQUE :** Il est absolument défendu d'installer un DISJONCTEUR DE FUITE À LA TERRE dans un sauna. Il déclencherait le coupe-circuit et risquerait de provoquer des dégâts.

#### C. Si le poêle fonctionne mais que la cabine n'atteint pas la température normale d'un sauna (160–185 °F (70 – 85 °C))

1. Vous devez laisser chauffer le sauna pendant au moins 30 minutes.
1. Le thermomètre du sauna est-il situé à 6" (150 mm) du plafond ? Est-il positionné au-dessus du poêle ou à proximité de celui-ci ? (C'est là sa position correcte.) La température mesurée par le thermomètre varie en fonction de son emplacement et de la hauteur du plafond. Par exemple : 180 °F (82 °C) au-dessus du poêle, 165 °F (74 °C) sur la paroi opposée, 140 °F (60 °C) sur le banc supérieur, 120 °F (49 °C) sur le banc inférieur et 100 °F (38 °C) au niveau du sol.
2. Vérifiez que les fils sont du bon calibre, qu'ils peuvent supporter la bonne intensité et que le câblage est correctement effectué (conformément aux schémas et aux informations fournies). Vérifiez également que des fils en cuivre ont été utilisés aux endroits requis.
3. Vérifiez que les pierres ne sont pas trop serrées autour des résistances afin d'assurer une bonne circulation de l'air. Si les pierres sont trop serrées, l'air circule mal et la capacité de chauffage est limitée.
4. Regardez s'il y a une déperdition de chaleur autour de la porte ou dessous, autour d'une lampe ou d'un ventilateur au plafond. (Nous déconseillons l'installation d'un plafonnier et un ventilateur ne convient pas dans un sauna.)
5. La cabine est-elle bien isolée ?
6. La hauteur du plafond est-elle supérieure à 7' (2100 mm) ?
7. Après avoir vérifié tous les points ci-dessus, enlevez les pierres et regardez si les résistances comportent des trous ou des zones brûlées (seulement si le poêle a été utilisé depuis quelque temps).

#### Attention ! Électricien ou technicien de maintenance !


1. AVANT D'INTERVENIR SUR LE POÊLE, LA COMMANDE OU LE CONTACTEUR, COUPEZ LE COURANT AU NIVEAU DU COUPE-CIRCUIT !
2. Ouvrez le boîtier de connexion pour vérifier que les fils sont bien branchés. Le fil du poêle et tous les fils qui y sont raccordés doivent être en cuivre.
3. Regardez si le câblage de la minuterie ou du thermostat comporte des brûlures ou des courts-circuits.

La garantie sur les pièces du poêle est annulée si l'installateur/électricien ne suit pas les informations nécessaires fournies sur le câblage ou ne respecte pas le code en ce qui concerne le calibre des fils, l'intensité, etc.

### CIRCUIT DE SURCHAUFFE

Chaque poêle est équipé d'une protection de surchauffe par mesure de sécurité. En cas de surchauffe, le poêle s'éteint automatiquement et ne se rallume pas avant d'avoir refroidi.

Pour réinitialiser la protection de surchauffe, repérez le bouton de réinitialisation (en bas, à l'avant sur les modèles muraux, derrière le boîtier de jonction, en bas, à l'arrière du poêle sur les modèles montés sur le plancher) et poussez-le vers le haut jusqu'à ce que le contacteur se déclenche. Vérifiez qu'il n'a pas été installé de disjoncteur de fuite à la terre.

 **La sécurité-surchauffe de l'appareil peut également se déclencher à des températures inférieures à -5 °C / 23 °F (stockage, transport, environnement). Avant l'installation, placez l'appareil dans un endroit chaud. La sécurité-surchauffe peut être réinitialisée quand la température de l'appareil se situe à env. 18 °C / 64 °F. La sécurité-surchauffe doit être réinitialisée avant d'utiliser cet appareil. Reportez-vous au manuel > Réinitialisation de la sécurité-surchauffe.**

Aucune PRISE DE COURANT MÂLE ou femelle n'est autorisée dans la cabine du sauna. Si un haut-parleur est installé dans la cabine, il ne doit pas être situé à plus de 3' (900 mm) du sol et doit être éloigné du poêle. (Consultez le fabricant pour connaître les spécifications requises.)

**L'ÉCLAIRAGE DE LA CABINE** doit être mural avec un boîtier d'installation hermétique à la vapeur encastré dans le lambris intérieur. Il doit être monté à 6' 6" du plancher, sans être situé directement au-dessus du poêle ou des bancs supérieurs. L'ampoule ne doit pas dépasser 75 watts.

Pour des raisons de sécurité, il est nécessaire d'installer une **CEINTURE DE PROTECTION DU POÊLE** de 1" x 2" (25 x 50 mm) ou 2" x 2" (50 x 50 mm) en bois tendre assorti à la décoration intérieure du sauna. Voir les figures 2-4 pour connaître le dégagement nécessaire autour du poêle. La ceinture doit être fixée à la paroi et ne doit pas dépasser le haut du poêle au-dessous du niveau des pierres.

### CONSTRUCTION DE LA CABINE : INFORMATIONS GÉNÉRALES

#### A. Structure

bois tendre de 2" x 4" (50 x 100 mm), 16" (406 mm) du centre à la surface.

#### B. Hauteur du plafond

Max. 7' 0" (2100 mm).

#### C. Isolation

Panneaux R11 de fibres de verre recouverts d'une feuille d'aluminium, dans les parois et le plafond, la feuille d'aluminium étant orientée vers l'intérieur de la cabine.

#### D. Placoplâtre ou matériau similaire

Voir les codes locaux. Pas obligatoire dans la plupart des résidences. Voir les codes locaux

pour les établissements commerciaux. Si vous utilisez du Placoplâtre (ou matériau similaire), appliquez des tasseaux de clouage de 1" x 2" (25 x 50 mm) afin que les planches des parois et du plafond puissent être fixées au bois massif.

#### E. Lambris

Utiliser un bois tendre, sans défaut et séché au four (assemblage à rainure et languette). Par exemple du séquoia de Californie, du cèdre rouge de l'ouest, du cèdre jaune d'alaska, avec une teneur en humidité inférieure à 11%.

#### F. Bancs

Utiliser un bois assorti à fibres verticales. En les fixant par le bas pour éviter que les utilisateurs ne se brûlent.

#### G. Ceinture de protection du poêle

Utiliser un bois tendre assorti.

#### H. Porte

Doit s'ouvrir vers l'extérieur et être dépourvue de serrure.

#### I. Plancher

Béton, carrelage ou Vinyle robuste.

#### J. Aération

Doit être assurée par une bouche d'aération basse située près du poêle à 4" (100 mm) du plancher et une bouche d'aération haute située sur la paroi opposée (si possible) à 6" (150 mm) du plafond ou à une hauteur minimale de 24" (600 mm) du plancher. Les bouches d'aération doivent être réglables et permettre de renouveler l'air 5 fois par heure. Le sauna doit être équipé du système d'aération requis par les autorités locales.

#### K. Éclairage

Doit être hermétique à la vapeur et situé sur une paroi à 6" (150 mm) du plafond.

#### L. Accessoires

Un seau, une louche et un thermomètre sont indispensables. Le thermomètre doit être placé au-dessus du poêle à 6" (150 mm) du plafond afin d'indiquer la température correcte. D'autres accessoires sont disponibles, tels qu'un hygromètre, un sablier, des brosses, etc.

#### M. Instructions d'entretien

Sont incluses à la fin de ce manuel.

#### N. Écrêteaux d'avertissement

Sont fournis avec le poêle. L'écrêteau métallique « CAUTION » doit être apposé en évidence sur la paroi près du poêle. L'écrêteau métallique « WARNING » doit être apposé à l'extérieur, sur la porte de la cabine.

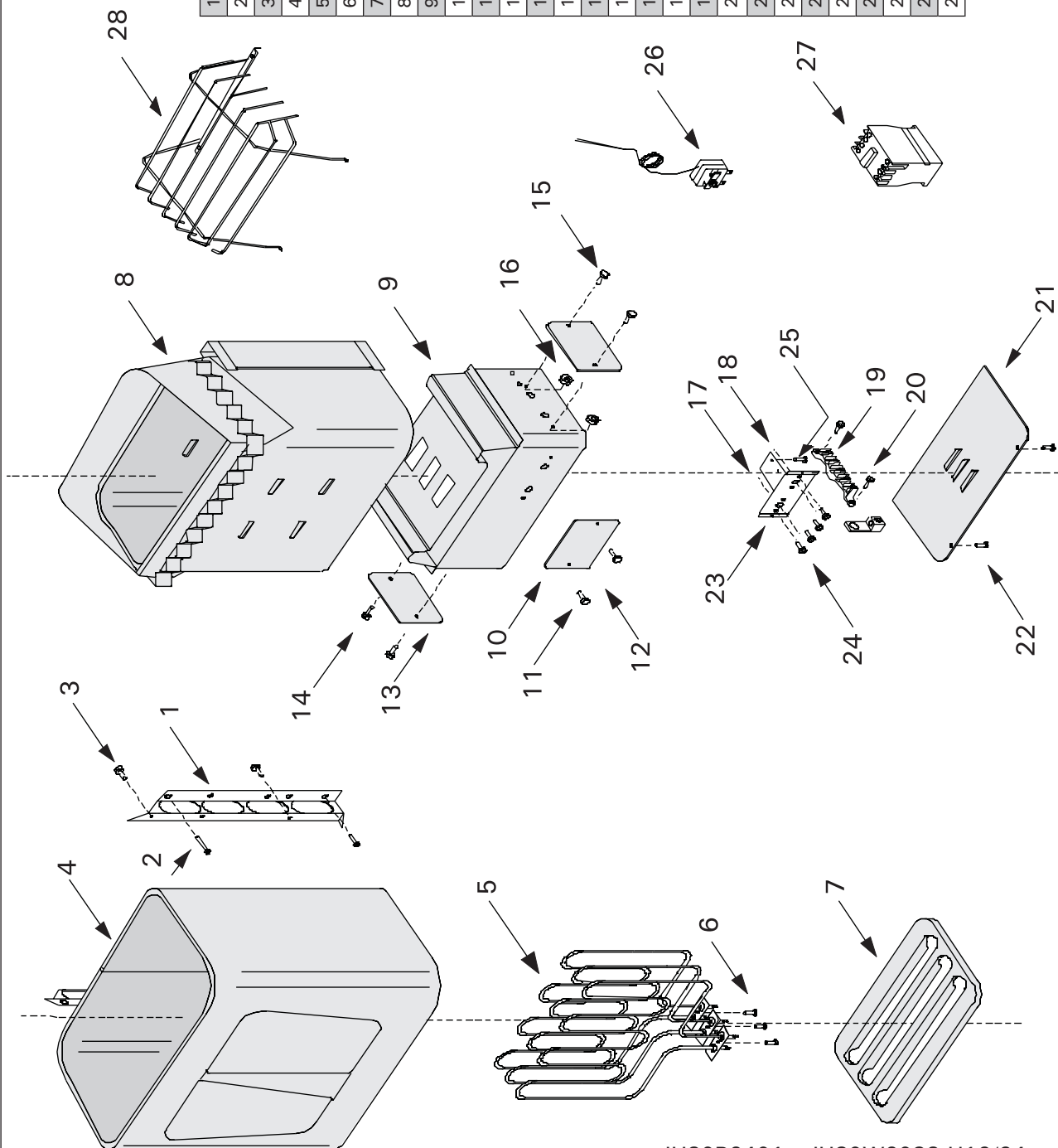
### ATTENTION !

- **Ne pas fumer, consommer d'alcool ou faire de l'exercice dans le sauna !**
- **Ne pas passer plus de 30 min de suite dans le sauna car une exposition excessive peut nuire à la santé. Le sauna ne doit pas être utilisé comme test d'endurance !**
- **Éviter le feu, les personnes en mauvaise santé doivent consulter leur médecin avant d'utiliser le sauna !**
- **Ne pas placer de matériau combustible au-dessus du poêle (serviettes, maillots de bain, seau ou louche en bois) !**

# KIP-60-B1/KIP-60-B3

Poêles de sauna -W1, W3 sans elements n° 12, 17 et 18

1.	Console d'installation
2.	Vis autotaraudeuse
3.	Vis
4.	Corps du poêle
5.	Élément chauffant
6.	Vis à tête fendue
7.	Grille
8.	Logement des pierres, monté
9.	Boîtier électrique, monté
10.	Plat
11.	Vis
12.	Vis autotaraudeuse
13.	Plaque signalétique
14.	Vis à tête fendue
15.	Vis à tête fendue
16.	Écrou
17.	Thermostat
18.	Minuteur
19.	Bornier (USA)
20.	Vis du bornier (USA)
21.	Socle
22.	Vis
23.	Crochet
24.	Vis à tête fendue
25.	Vis à tête fendue
26.	Détecteur/interrupteur de surchauffe
27.	Contacteur (USA)
28.	Grille de protection



JH30B2401 - JH80W2083 H12/94  
 JF30B2401 - JFIN802083 H12/94

- **Utiliser uniquement de l'eau propre du robinet sur les pierres. Ne pas utiliser d'eau de piscine ou de spa car cela risquerait de dégager du chlore et d'endommager les résistances !**
- **L'hyperthermie se produit lorsque la température interne du corps dépasse de plusieurs degrés la température normale du corps (98,6 °F (37°C)).**
- **Les symptômes d'hyperthermie incluent une hausse de la température interne du corps, des vertiges, la léthargie, la somnolence et l'évanouissement.**

**Les effets de l'hyperthermie incluent :**

- A) l'insensibilité à la chaleur ;
- B) l'indifférence au besoin de sortir de la cabine ;
- C) l'inconscience du danger imminent ;
- D) des lésions fatales chez les femmes enceintes ;
- E) l'incapacité physique à sortir de la cabine ;
- F) la perte de connaissance.

**AVERTISSEMENT : La consommation d'alcool, de drogues ou de médicaments peut augmenter considérablement le risque d'hyperthermie mortelle.**

### **INSTRUCTIONS D'ENTRETIEN**

1. Utilisez uniquement de l'eau propre sur les pierres du sauna. N'utilisez pas d'eau de spa ou de piscine car elle endommagerait gravement le poêle.

2. Utilisez toujours de l'eau propre dans les seaux du sauna et jetez l'eau après chaque utilisation. Frottez les seaux et les louches de temps en temps lorsqu'une pellicule commence à se former après utilisation. Mettez un sac en plastique à l'intérieur du seau pour éviter les fuites.

3. Frottez les bancs avec une brosse souple et de l'eau savonneuse ou un léger désinfectant lorsque c'est nécessaire, environ une fois par semaine dans les saunas commerciaux ou selon la fréquentation du sauna. Par mesure d'hygiène, il est recommandé que chaque utilisateur s'assoie ou s'allonge sur une serviette. (La durée de vie des bancs en sera prolongée.)

4. Essuyez le plancher imperméable avec du désinfectant (Pine Sol, par exemple) environ une fois par semaine ou aussi souvent qu'il le faut.

5. Pour préserver la beauté du poêle, essuyez les tâches d'eau avec un chiffon humide de temps en temps.

6. Nos poêles de sauna ne nécessitent aucune maintenance particulière lorsqu'ils ont été correctement installés par un électricien qualifié. Au bout de 5 années d'utilisation, il peut être nécessaire de remplacer les pierres si elles se sont effritées ou pulvérisées.

7. Nous recommandons vivement l'utilisation d'un sol qui peut être facilement nettoyé (béton, carrelage ou sol coulé). Le sauna peut ainsi être facilement gardé propre. Il est fortement déconseillé de mettre un tapis dans un sauna ! Un tapis deviendrait un support idéal pour les bactéries dans l'environnement humide du sauna. Il favoriserait également la transmission des maladies des pieds telles que le pied d'athlète.

8. Dans une nouvelle construction, un siphon de sol doit également être installé pour faciliter le nettoyage et l'entretien, en particulier dans les saunas commerciaux.

9. Imperméabilisez le bois autour de la vitre de la porte (à l'intérieur et à l'extérieur) avec du Thompson's Water Seal pour éviter qu'il ne se déforme.

10. S'il se forme des taches sur le bois à cause de la transpiration, vous pouvez légèrement le poncer avec du papier de verre à grains fins afin de lui redonner son bel aspect. Nous déconseillons l'utilisation de teinture ou de vernis car des vapeurs toxiques risquent de se dégager sous l'effet de la chaleur. Cependant, vous pouvez appliquer 2 couches de Thompson's Water Seal sur les bancs en bois d'un sauna commercial afin que le bois soit plus facile à nettoyer. Ainsi, il n'absorbera pas la transpiration.

11. La cabine du sauna se réchauffe plus rapidement si la bouche d'aération haute est fermée pendant la période de chauffage. La bouche d'aération basse peut toujours rester ouverte.

12. Les écriteaux d'avertissement requis doivent être apposés selon les instructions.

**Le propriétaire du poêle est tenu de s'assurer que celui-ci est éteint correctement après chaque séance.**

**Le propriétaire du poêle doit respecter les instructions d'entretien !**

## GARANTIE

Ce poêle de sauna est garanti pour une durée d'un an à partir de la date d'achat et comprend toutes les pièces du sauna, telles que les résistances, les commandes, les contacteurs, etc.

La présente garantie couvre uniquement les défauts de fabrication et de matériau et comprend l'échange des pièces défectueuses contre de nouvelles pièces fournies par le fabricant ou l'importateur une fois que les pièces défectueuses lui ont été renvoyées. Le remplacement des pièces sous garantie ne prolonge pas la période de garantie au-delà de l'année d'origine.

La garantie ne couvre pas les défaillances provoquées par l'usure normale, une installation incorrecte, un mauvais entretien, le non-respect des instructions d'installation, d'utilisation et d'entretien fournies par le fabricant ou les modifications apportées au sauna.

La présente garantie est annulée si le poêle est incorrectement utilisé. Il est interdit de verser de l'eau de piscine ou de spa sur les pierres du sauna car les produits chimiques endommageraient le poêle. La cabine du sauna doit être chauffée

pendant au moins 30 minutes avant que de l'eau ne soit versée sur les pierres. Pas plus d'une ou deux louchées d'eau à la fois ne doivent être versées sur les pierres chaudes. La présente garantie est annulée si une douche a été installée dans la cabine du sauna.

La présente garantie ne couvre ni les frais de livraison de la pièce défectueuse ni les frais de main-d'œuvre de réparation sur place. Si le poêle de sauna est renvoyé au fabricant ou à l'importateur dans un délai de cinq ans à partir de la date d'achat, l'importateur fournira gratuitement la main-d'œuvre pour les réparations mais facturera les pièces si la date d'achat remonte à plus d'un an.

La présente garantie est annulée si l'installation et le câblage n'ont pas été effectués par un électricien certifié ou agréé et un représentant qualifié qui doit apposer sa signature ci-dessous.

La présente garantie est annulée si elle n'est pas remplie et renvoyée dans un délai de 15 jours à partir de la date d'achat et elle ne s'applique qu'à l'installation d'origine du produit et au premier acheteur.

POÊLE DE SAUNA \_\_\_\_\_

NUMÉRO DE MODÈLE \_\_\_\_\_

DATE D'ACHAT \_\_\_\_\_

PREMIER PROPRIÉTAIRE \_\_\_\_\_

ADRESSE \_\_\_\_\_  
\_\_\_\_\_

ACHETÉ CHEZ \_\_\_\_\_  
\_\_\_\_\_

L'ÉLECTRICIEN DOIT \_\_\_\_\_

SIGNER ICI \_\_\_\_\_

DATE DE CÂBLAGE &

RACCORDEMENT ÉLECTRIQUE \_\_\_\_\_