




SAUNA STOVE  
HIVE WOOD  
INSTALLATION AND  
USER  
INSTRUCTIONS

## Content

1. GENERAL .....	3
2. INSTALLATION .....	3
2.1. Preparation for use .....	3
2.2. Installation .....	3
2.3. Connecting the sauna stove with the chimney .....	4
3. OPERATION MANUAL .....	4
3.1. Heating of the stove .....	4
3.2. Maintenance .....	5
4. WARRANTY .....	5

The Hive Wood sauna stove delivery package includes: the sauna stove and installation and user instructions NB! The sauna stove also requires sauna stones.

Technical specification	HIVE WOOD 17
Steam room size range (m <sup>3</sup> )	8-16
Nominal heating power (kW)	17
Steel frame diameter (mm)	555
Depth (mm) + extension of the combustion chamber <sup>LS</sup> (mm)	590+150 <sup>LS</sup>
Height (mm)	750
Empty weight (kg)	85
Weight of stones (kg)	130
Thickness of furnace walls (mm)	5
Maximum length of firewood (cm)	40
Diameter of firewood (cm)	8-15
Diameter of smoke outlet (mm)	115
Required temperature class of chimney	T600
Minimum cross section of chimney (mm <sup>2</sup> )	10200
Minimum cross section of vents (mm <sup>2</sup> )	7850
Heating power in steam room (kW)	17.4
Fuel	Wood
Safety distances from combustible materials	Table 1
Fire safety (ignition of nearby objects)	Passed
Exhaust gases of the combustion process	Passed
Surface temperature	Passed
Emission of hazardous compounds	NPD
Cleanability	Passed
Temperature of exhaust gases	443°C
Mechanical resistance	Passed
Carbon dioxide emissions at 13% of O <sub>2</sub> content (%)	Passed (0,6 7)
Total efficiency (%)	66
Minimal required chimney draught	12 Pa
Wood weight (kg) / in three parts up to (kg)	11.2 / 5.6
Ash tray opening during ignition (mm) / after ignition (mm)	10 / 2-3
* NPD – No permanent data	
Application area	Multi-firing sauna stoves heated by natural wood logs
Meets requirement	EN 15821:2010
HUUM OÜ Turu tn 45D, Tartu, 50106, Estonia	
	

Congratulations, you've made an excellent choice! The HUUM sauna stove is the best of its kind and will serve you for a very long time with the right use and maintenance.

- Read the instructions carefully before installation and use.
- Keep these instructions for future reference.

## 1. GENERAL

The WOOD HIVE sauna stove is intended for dry or wet sauna steam.

Our product range includes various modifications for the Hive Wood sauna stoves. Consumers can choose between stoves with different nominal power.

The stove can be equipped with a hot water production accessory and with a wall furnace aperture.

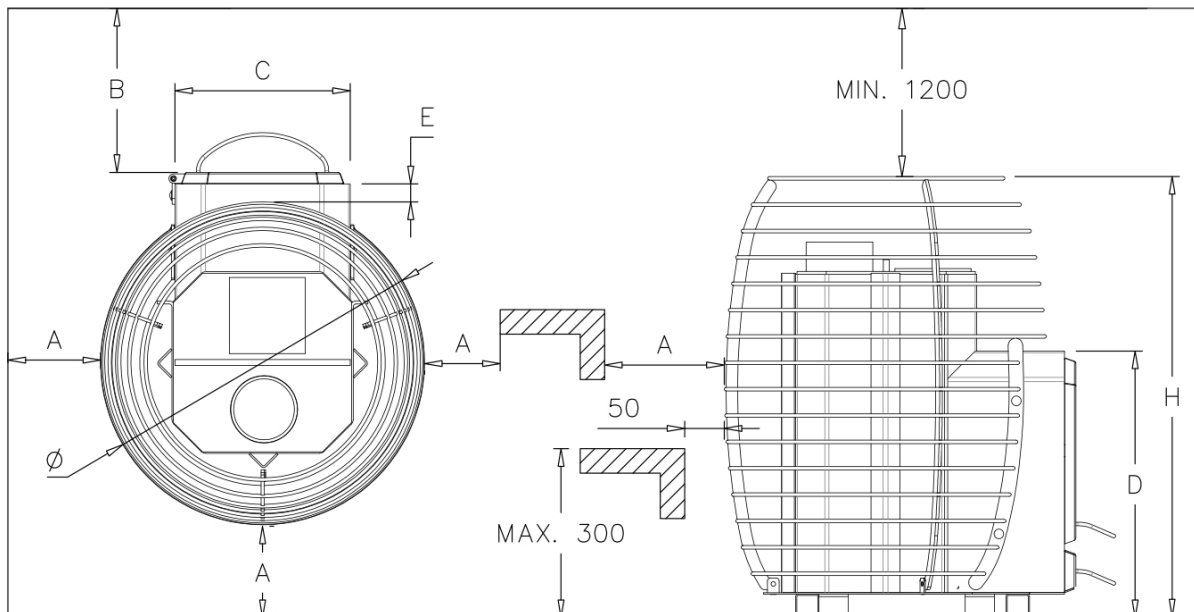
## 2. INSTALLATION

### 2.1. Preparation for use

NB! Before using the sauna stove, read this manual carefully!

- The first heating must be done outside or in a well-ventilated steam room, as the heat-resistant paint of the stove's outer shell will achieve its final hardness only after the first heating and can emit an unpleasant burning smell.
- Until then, avoid scratching the surface of the sauna stove.
- Fill the combustion chamber half full (2.8 kg) the first time you heat the stove and ventilate the room after heating. During this time, the final curing of the heat-resistant paint occurs, which can emit unpleasant odors.
- It is not recommended to fill the sauna stove with stones before the first heating to prevent damage to the paint.
- Any natural granite stones or special sauna stove stones sold at hardware stores are suitable for the sauna stove. Use of ceramic stones may shorten the life of the stove.

### 2.2. Installation



	Power	Room	A	B	C	D	E	Ø	H
	kW	m <sup>3</sup>	Mm	Mm	Mm	Mm	Mm	Mm	Mm
<b>HIVE Wood 13</b>	13	6-13	500	1000	240	425	10	450	750
<b>HIVE Wood 17</b>	17	8-16	500	1000	300	460	35/185 <sup>LS</sup>	555	750



- Installation of the sauna stove must conform to all local normative documents, including those applicable national and European Union standards relating to the installation, including EN 15821:2010.
- Safety distances A, B, and 1200 mm above the stove are given for combustible materials.
- If the stove is installed in a niche composed of non-combustible material (stone, concrete), at least 100 mm should be left between the wall and the stove for air movement.
- The safety distance for combustible materials can be reduced to 1/2 (250 mm) in the case of a single and to 1/4 (125 mm) in the case of a double heat barrier. The heat barrier is considered to be within the safety distance, and the difference between the outer surface and the protected area must be at least 30mm.
- The sauna stove must be installed on a non-combustible surface with the required carrying capacity.
- The concrete floor under the stove must be at least 60 mm thick and overlap 300 mm on the sides and 400 mm in the front. Other non-combustible materials with low heat conductivity or a movable heat barrier may be used for the base.
- The loading aperture of the sauna stove must be made through a non-combustible wall (stone, concrete, etc.). In addition, insulation with mineral wool or the like is recommended.
- Electrical equipment and wiring are not permitted in the safety area of the sauna stove.

### 2.3. Connecting the sauna stove with the chimney

- The flue gas outlet of HUUM sauna stoves is at the top of the sauna stove. The sauna stove is connected to the chimney using special metal flue pipes, which are optionally sealed with heat-resistant sealing rope.
- The elbows of the connection tubes must be smooth to keep draught loss as small as possible.
- The tube is inserted through the wall of the chimney and sealed with mineral wool.
- The sauna stove can only be connected to the chimney by specialists.
- The flue gases of the stove must be directed into a separate flue. Use of a common flue with other furnaces is not permitted.

NB! Forced extract ventilation may cause problems with ventilation of the room and inadequate furnace combustion, and therefore designing and building such a ventilation system is permitted only with the supervision of a licensed specialist.

## 3. OPERATION MANUAL

### 3.1. Heating of the stove

- **NB! The sauna stove can only be heated with wood logs.**
- Avoid overheating the sauna stove, which is indicated when the furnace case glows red. Overheating causes the metal to deform, and the manufacturer is not responsible for this defect of the stove.
- In case of overheating, the ash tray must be completely closed to stop the furnace combustion process. Keep the furnace door closed. If possible, cut off air flow to the room.
- It is recommended that each time you heat the sauna stove that some quantity of the fuel consists of small and easily flammable pieces of material which are more porous and lighter compared to the rest of the fuel quantity.
- The amount of air combustion is adjusted by changing the position of the ash box drawer. During ignition, it is advisable to keep the ash box open up to 10 mm. As the



material ignites, close the ash box to the position where the distance between the front of the tray and the wall is 2-3 mm, depending on the draught.

- Keep the furnace door closed during heating. Open the door only to add firewood.
- Avoid splashing water onto the hot glass of sauna stoves with a glass door. Tempered door glass is not under warranty.
- Heating time of the steam room is dependent on the thermal resistance of the wall materials, room size and power of the sauna stove.
- The outer surfaces of the sauna stove are hot during heating. Contact with exposed body parts can cause burns.
- The door handle of the heated furnace may be grasped only with a heat-resistant glove or other protective hand gear.
- Do not splash salt water onto the sauna stove.
- It is not advisable to throw hard or high iron content water onto the sauna stove.

### 3.2. Maintenance

- For safe operation of the furnace it is advisable to keep cleaning accessories (shovel, broom, rake) available in the lower temperature (below 40 °C) part of the steam room.
- Empty the sauna stove's ash box before each heating as this is used to adjust the draught.
- If the sauna has not been used for a long time, have a specialist check the furnace, grate and ash box condition before heating the sauna stove. If necessary, arrange for the condition of the chimney and the flue to be checked as well. Also if necessary, allow the specialist to undertake further cleaning.
- Large temperature fluctuations may, over time, cause the sauna stove stones to crumble and lose their required properties. It is therefore advisable to replace crumbled sauna stones with new ones once a year.
- Clean the heating surfaces of the sauna stove regularly, at least once every 20 uses.
- At least once a year, it is necessary to clean the chimney and flues.
- Cleaning of the sauna stove must comply with all local normative documents which provide fire safety regulations for the cleaning of furnaces (RTL 1998, 195/196, 771 and RTL 2000, 99, 1555)
- It is advisable to keep ventilation holes in the grilles clean and clean the ventilation flues at least once a year.

## 4. WARRANTY

The manufacturer gives its stoves a 24-month warranty starting from the date on the purchase receipt.

The warranty applies to malfunctions caused by manufacturing faults.

This warranty does not cover the combined effect of high temperature and water to the sauna stove:

- deformation of metal;
- surface coating;
- door glass.

Send your complaints by e-mail to the address [info@huum.eu](mailto:info@huum.eu).

The complaint must include a description of the defect.

The complaint must be accompanied by photos of the defect and a copy of the sauna stove purchase documents.