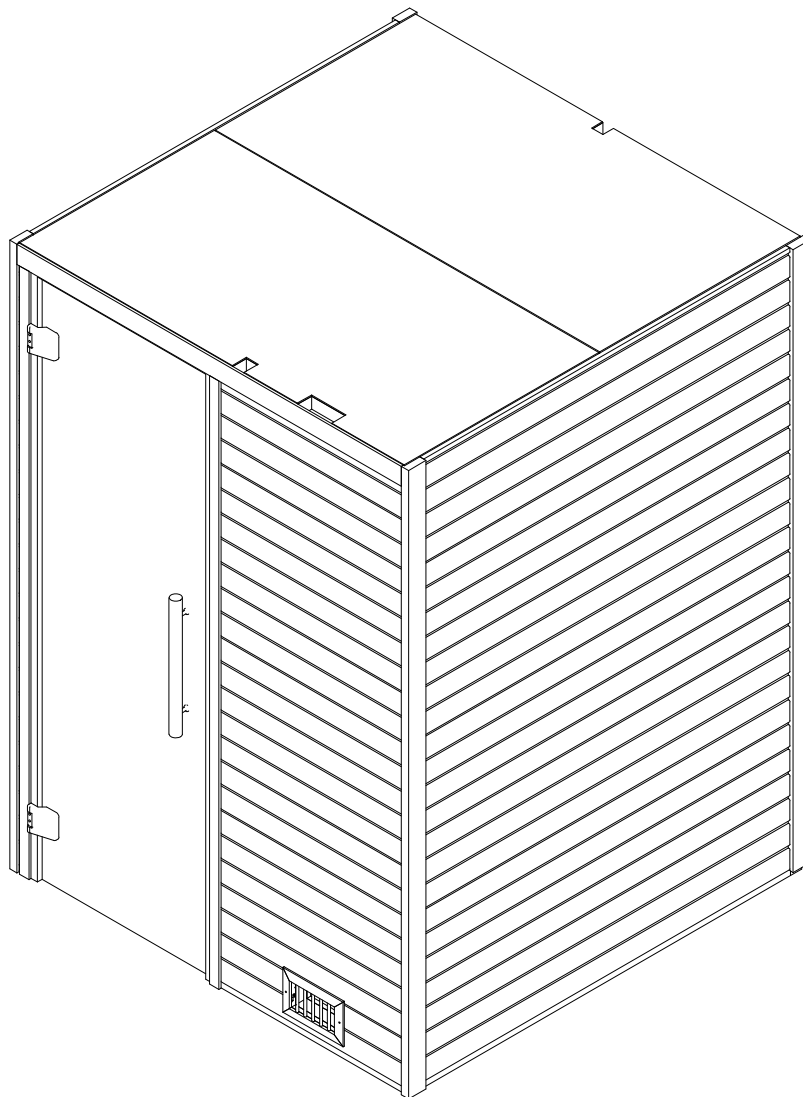


AUROOM
Our Saunas Your Wellness

**Prefabricated sauna cabin
Dry finnish sauna cabin**

**INSTALLATION MANUAL
MODEL Cala 150x150**



Assembly instructions

1. Preparations

- Sauna package must be stored in a heated and dry room.
- Prior to installation the package must be opened and stored for 48h to adjust to relative humidity of the room (22°C, 40-60% RH).
- Ensure the sauna model fits in the designated room with sufficient extra room for ease of installation.
- Clean the location of sauna with care in order to not damage any details, elements
- Room must be well ventilated and with water drain on or near the position of the sauna.
- Sauna is intended to be installed on a level surface to ensure proper installation and quality of the installed product.
- Adequate electrical supply must be ensured for electrical components of the sauna. Refer to user manuals of respective products.
- Electrical connections to the power grid and to the sauna may only be carried out by legally competent and certified specialist.
- Producer cannot be held responsible for any errors resulting from disregard to the levelness of substructure, inadequate storing conditions, inadequate power supply, unauthorized alterations to components or any other circumstances occurring from deviations described in this manual and/or good customs.

2. List of tools

- Water level
- Tape measure
- Power drill
- Rubber or plastic mallet
- Silicone gun
- Screwdriver set

Installation of a sauna requires at least two (2) persons.

3. Installations

- Follow the instructions precisely.
- Always start from 1 and continuously move forward in an organized manner.
- Keep the installation site always clean and organized.
- This manual does not take into account any possible peculiarities of the installation site.
- Take care not to damage any components during installation due to dropping, dragging or careless handling.
- Special attention towards elements - they must be stored with care and kept away from any hard or sharp objects. Glasses are tempered and even smallest damages to the surface or corners can lead to concentration of stress and shattering of the glass.

1. Baseframe

1. Check substructure level. Sauna must be installed on a level surface.
2. Connect the base frame elements
3. Fix the elements with screws
4. Check baseframe diagonals for equality and right corners
5. Apply silicone under baseframe and fix in place

NOTE! If the sauna is to be moved after installation, silicone can be installed afterwards.

Figure 1a.

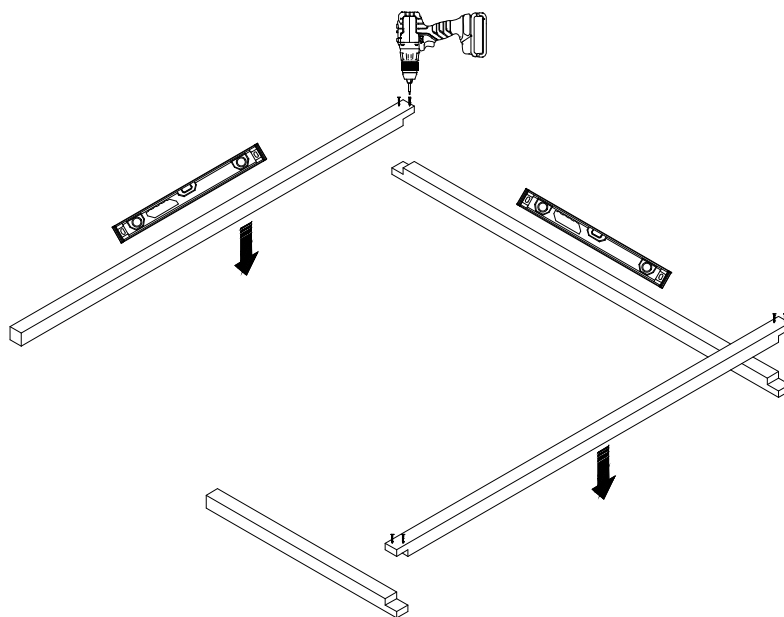
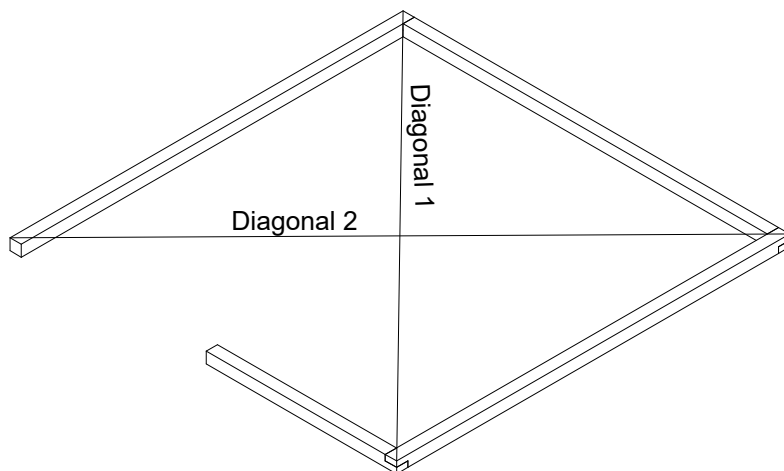


Figure 1b.



2. Wall elements

1. Start assembly by placing previously assembled elements A1 & A2 on stable baseframe.
2. Fix A1 & A2 elements with corner post CP-1 as indicated on Figure 2a, 2b.

Figure 2a.

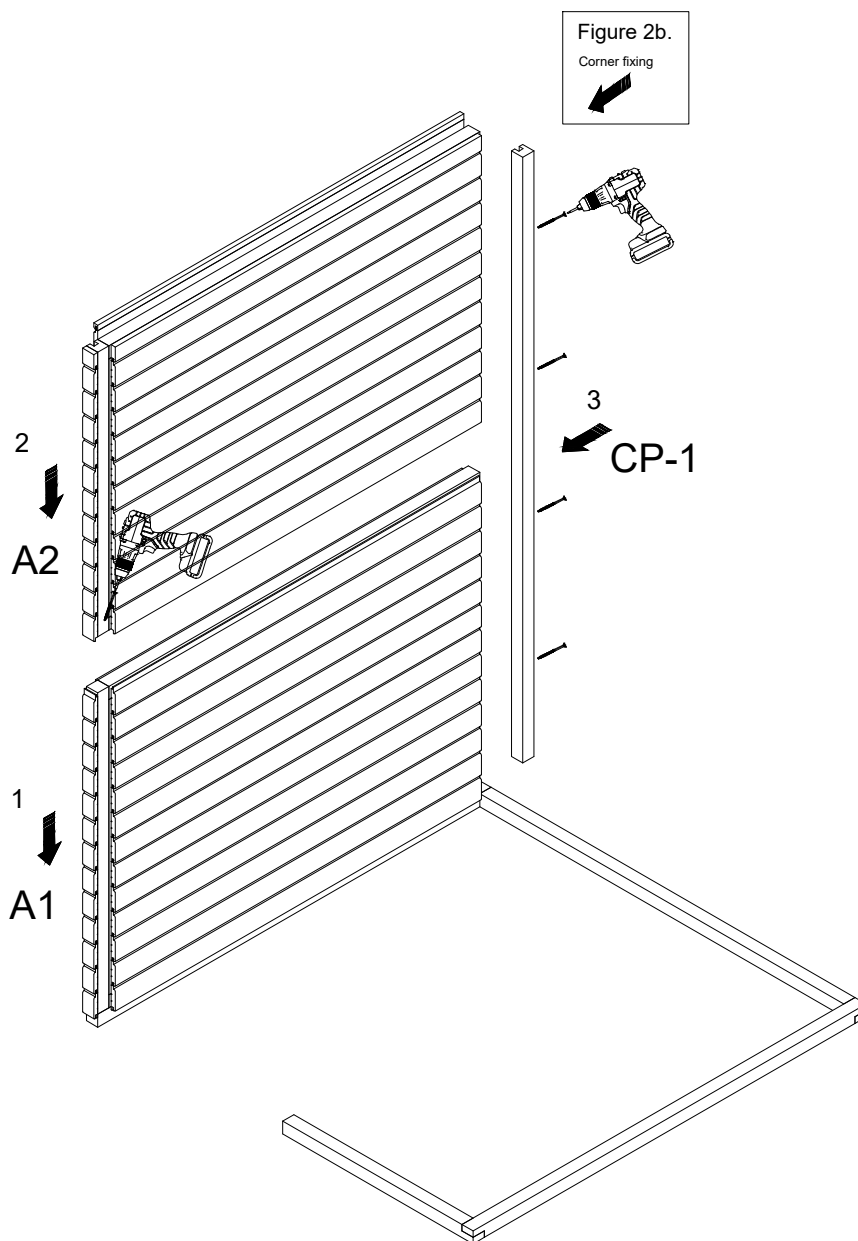
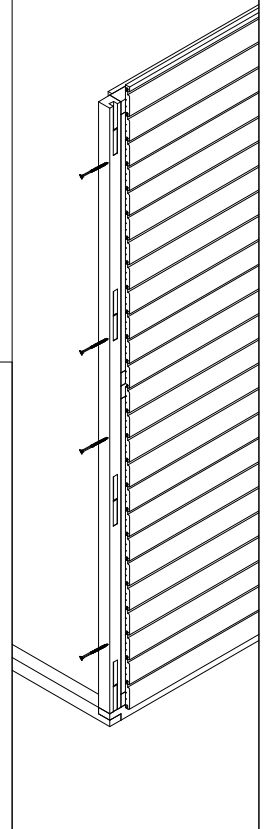


Figure 2b.
Corner fixing



2.1 Wall elements

1. Place previously assembled elements B1 & B2 on stable baseframe.
2. Fix B1 & B2 elements with corner post CP-1 as indicated on Figure 2.1a, 2.1b.

Figure 2.1b.

Corner fixing

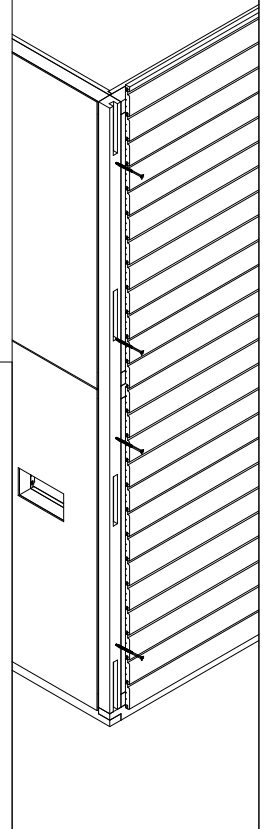
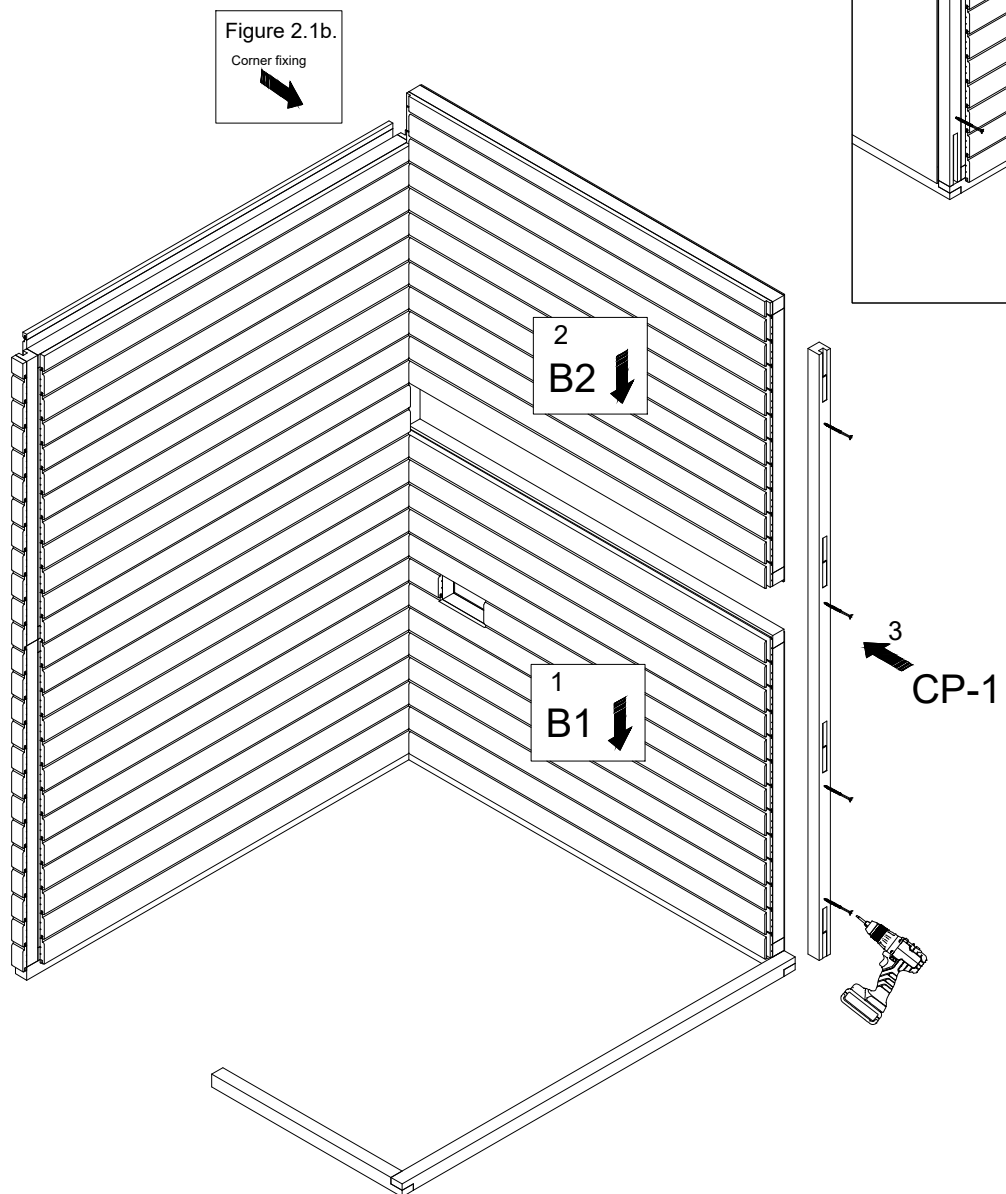


Figure 2.1a.



2.2 Wall elements

1. Place previously assembled elements C1 & C2 on stable baseframe.
2. Fix C1 & C2 elements with corner post CP-1 as indicated on Figure 2.2a, 2.2b.

Figure 2.2b.

Corner fixing

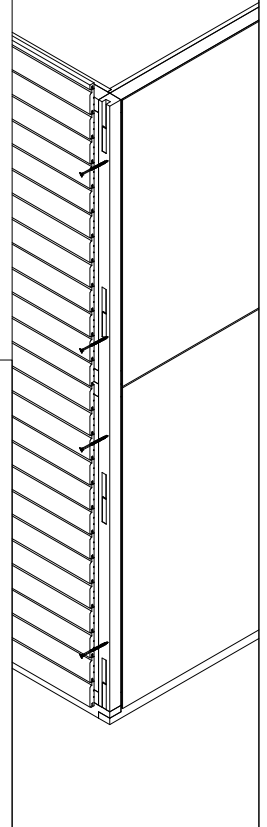


Figure 2.2a.

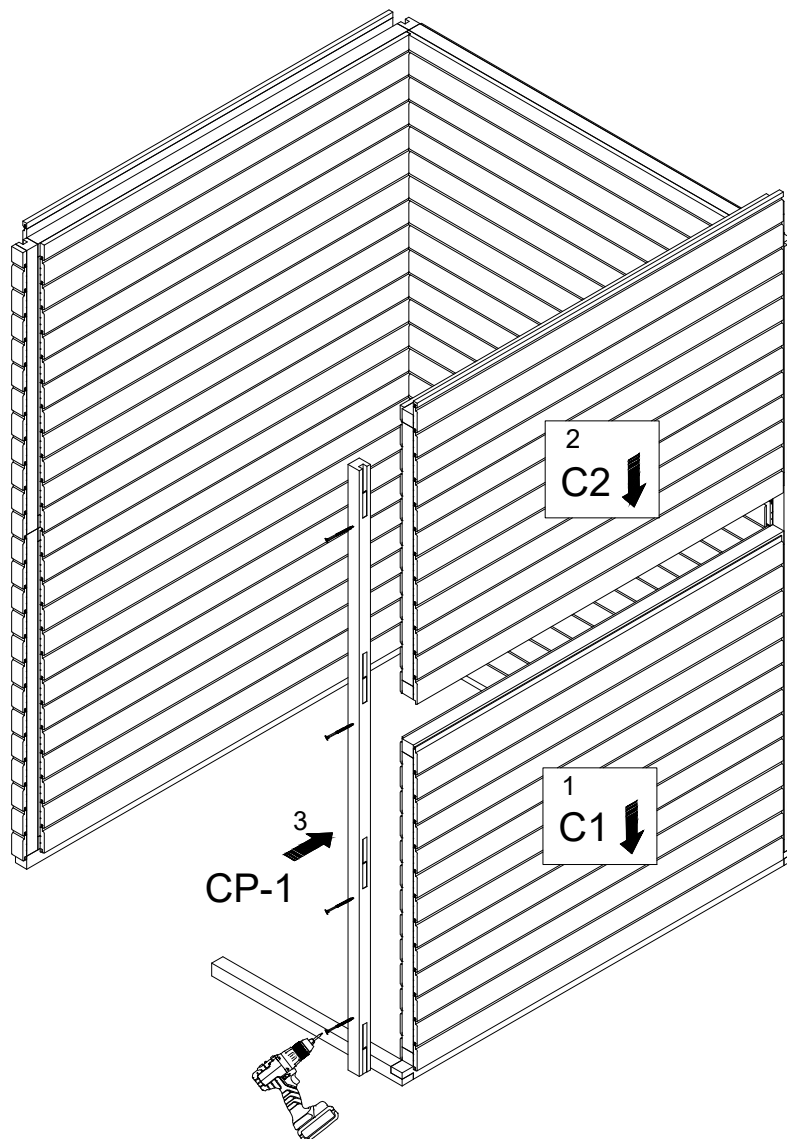


Figure 2.2b.

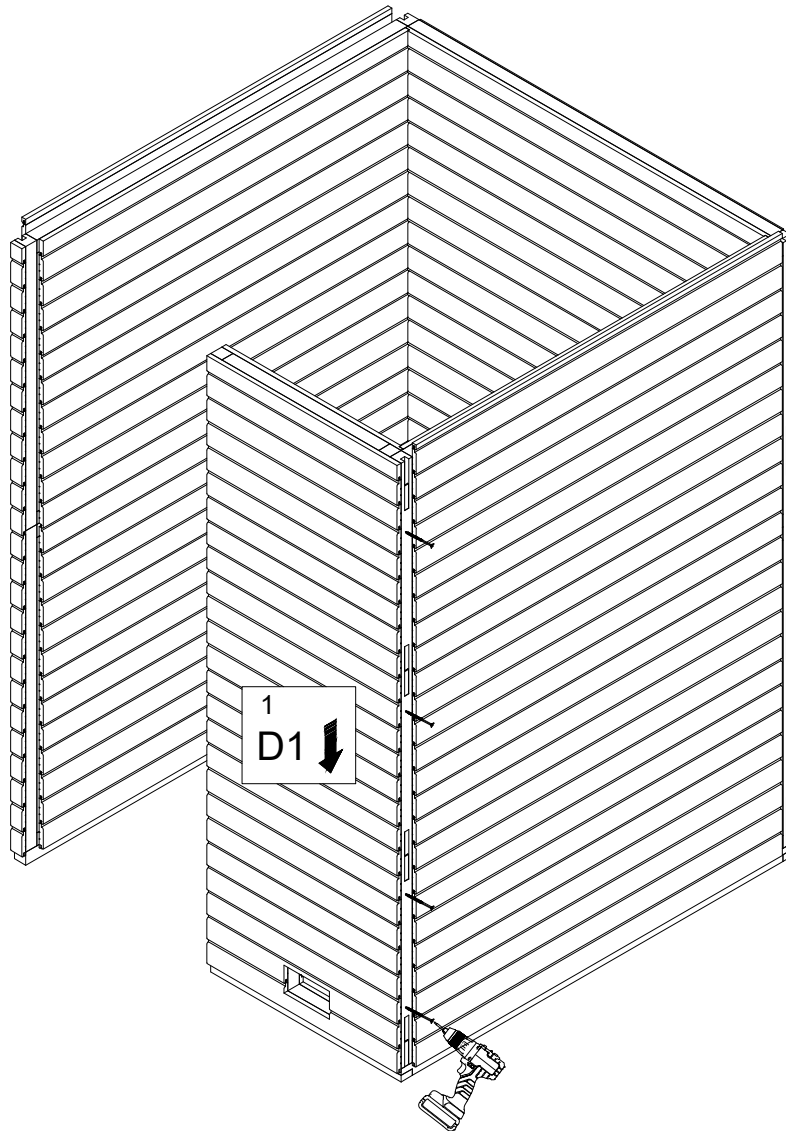
Corner fixing



2.3 Wall elements

1. Place previously assembled element D1 on stable baseframe.
2. Fix D1 element with corner post CP-1 as indicated on Figure 2.3a.

Figure 2.3a.

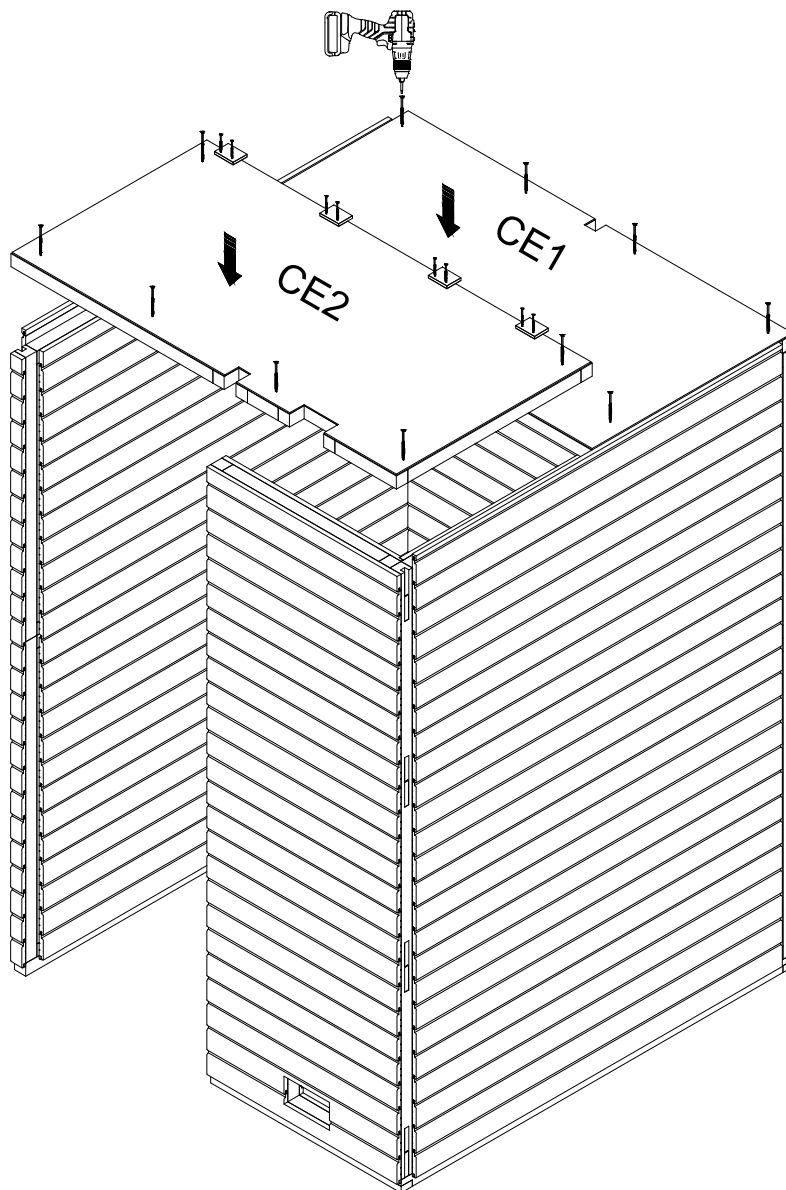


3. Ceiling elements

1. Place the first ceiling element on top of previously installed and fixed wall elements (Figure 3a). Check walls for vertical level. Ceiling element must sit flush with walls external layer and with no excessive gaps between internal panels. Fix with screws.
2. Place the second ceiling element on top of walls with approx. 10mm gap with previous ceiling and slide into place. Attach additional plywood support pieces on the joint between ceilings. Fix with screws around.

NOTE! Do not support elements on edge of previous installed element!

Figure 3a.



4. Bench support placement

1. Place bench supports in sauna, check for level.
2. Fix bench supports with screws.

Figure 4a.

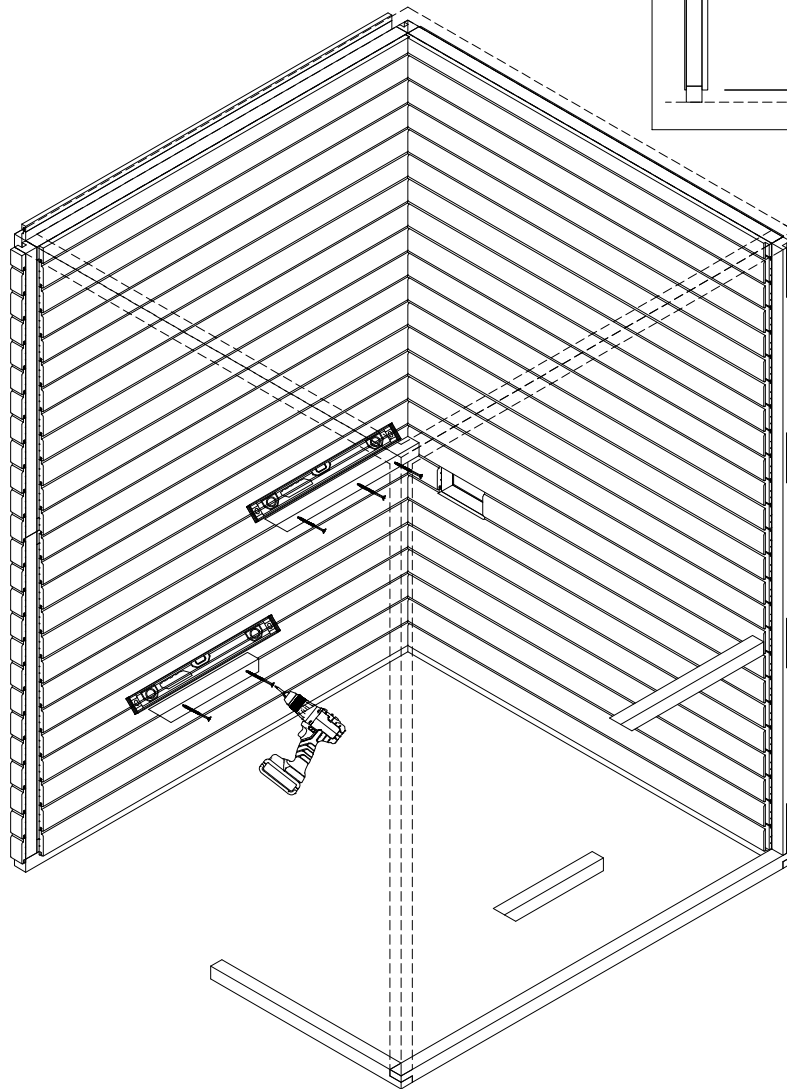
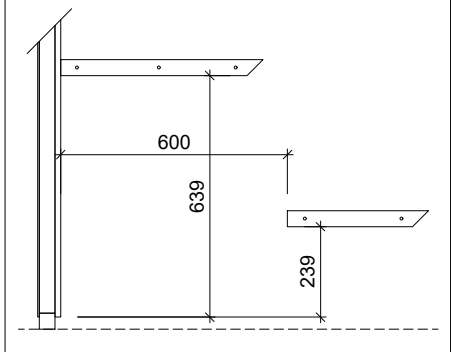


Figure 4b.



5. Bench frames

1. Place upper bench frame and fix with screws.
2. Place lower bench frame and fix with screws.

NOTE! First fasten the screws on sidewalls, then backwall.

Figure 5a.

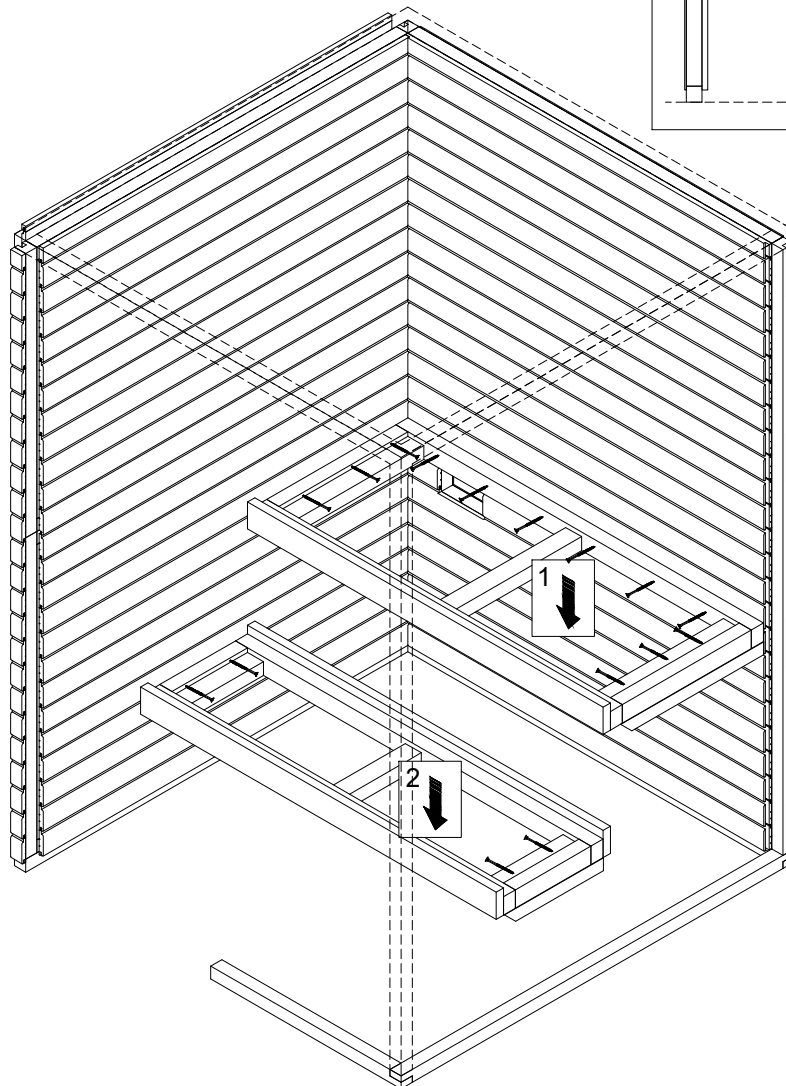
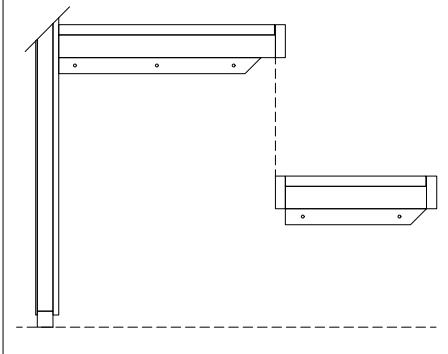


Figure 5b.



7. Backrest, bench skirt

1. Lift backrest in place and fix with screws, cover screw holes with caps.
2. Lift bench skirt in place and fix with screws (Figure 7b).

Figure 7a.

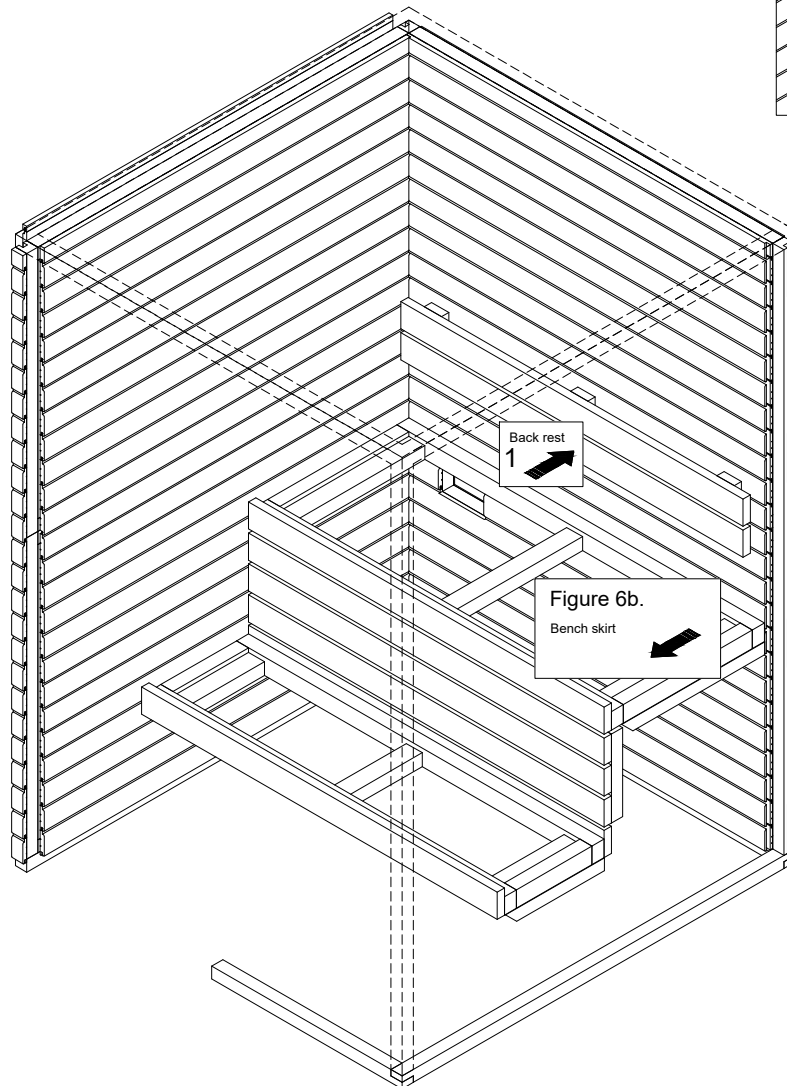
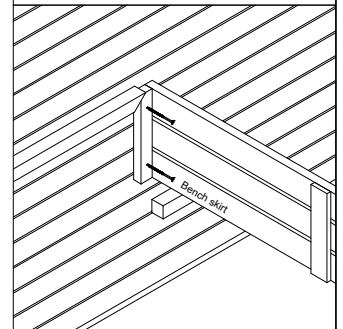


Figure 7b.

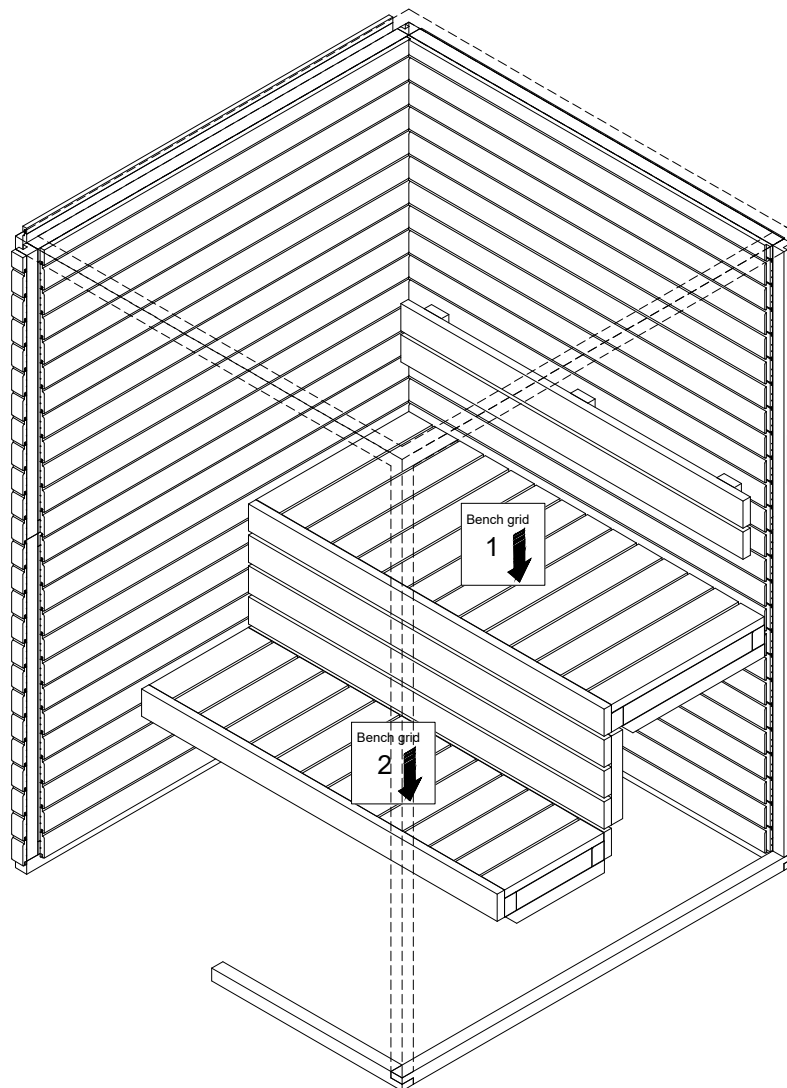
Bench skirt



8. Bench grids

1. Place bench grids on bench frames.

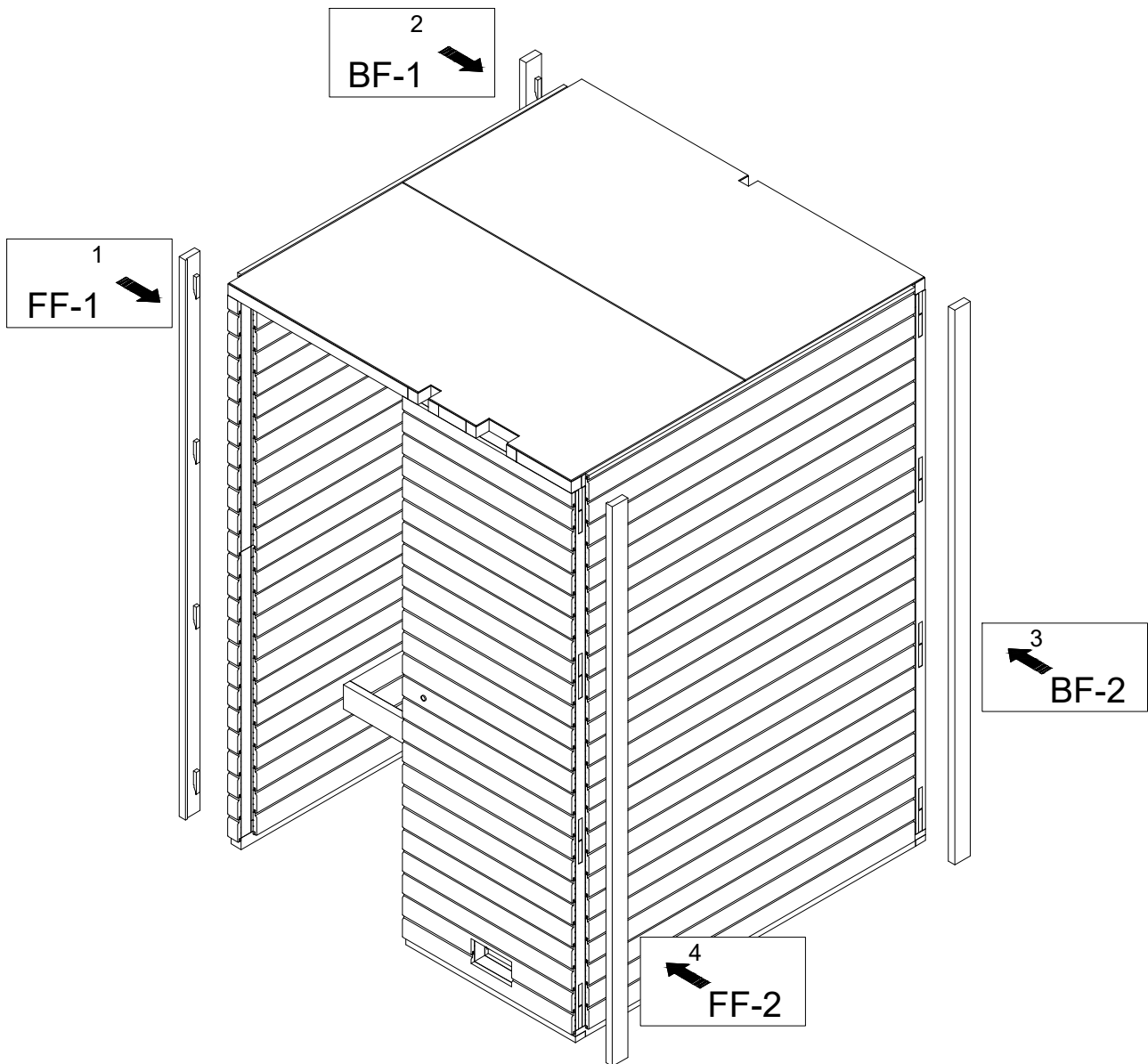
Figure 8a.



10. Corner mouldings

1. Attach corner mouldings with multiclips.

Figure 10a.



11. Door

1. Insert door frame. Inside surfaces must sit flush.
2. Fix door frame with screws, seal screwholes with caps.
3. Install the handle.

NOTE! Door glass must not be supported directly to a hard (tiled, concrete or other) floor due to risk of shattering. Always rest the door and glass on a protected surface. Do not remove protection material from door until it is finally and properly fitted.

Figure 11a.

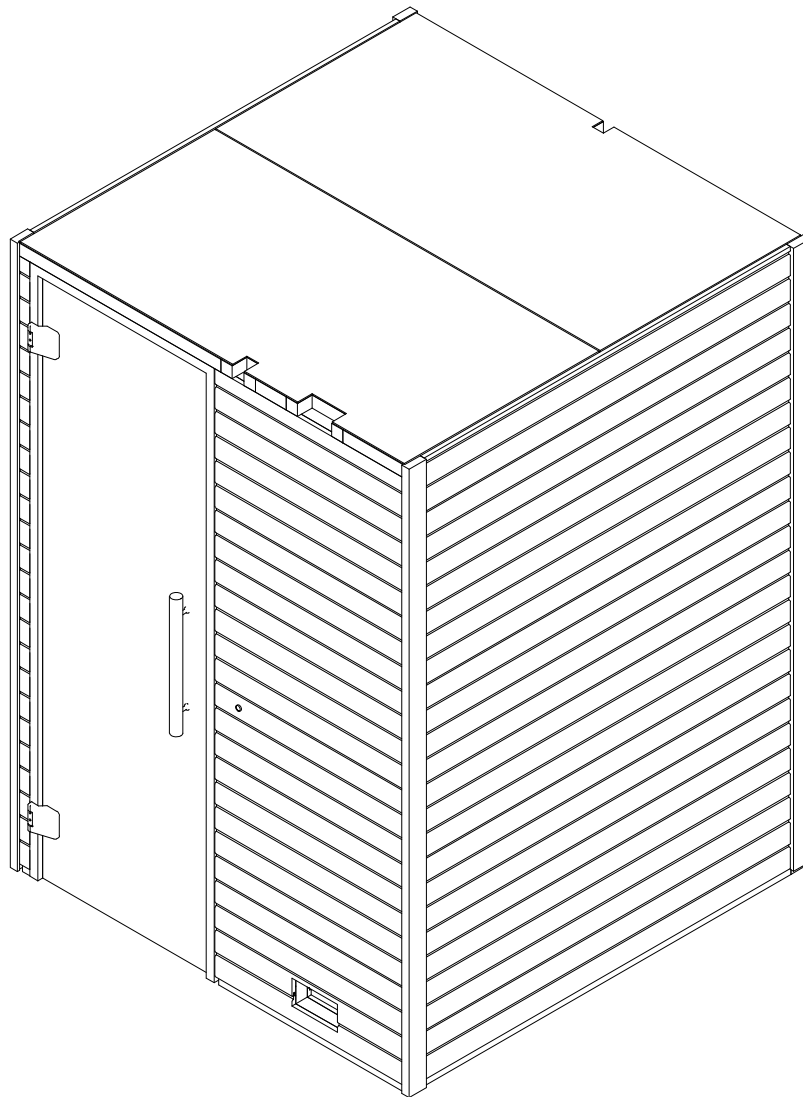
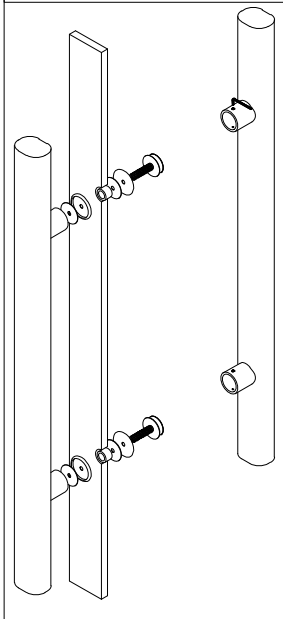


Figure 11b.
Premium handle

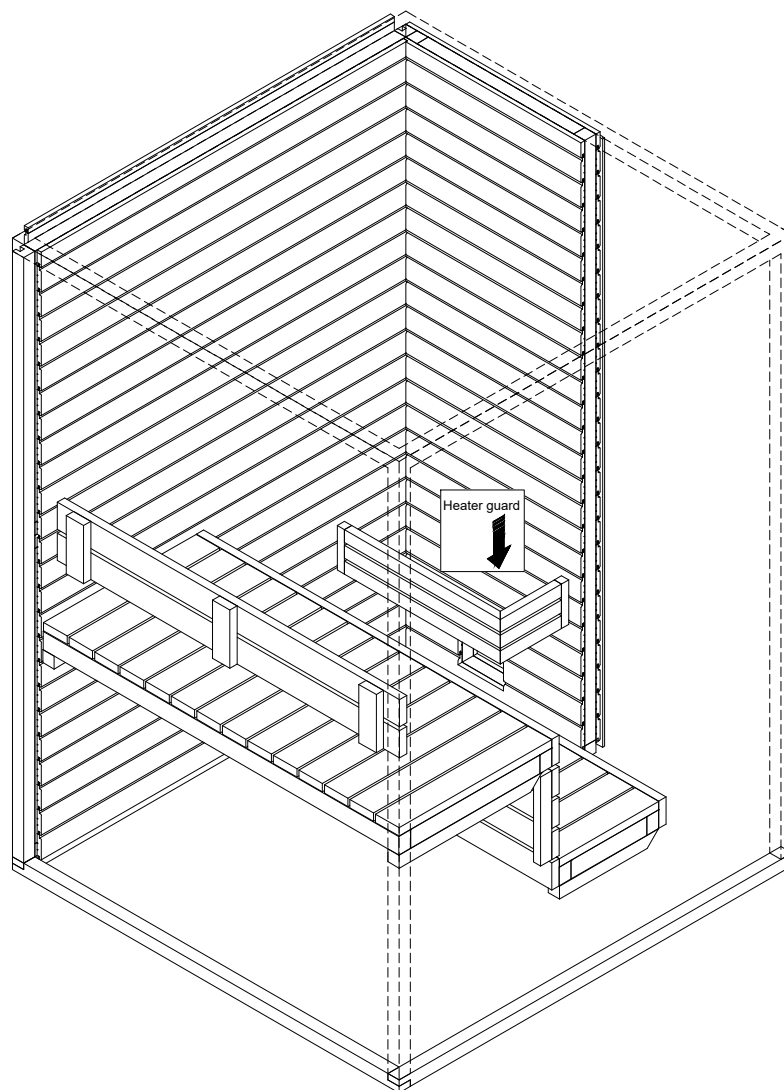


12. Heater guard

1. Fix heater to the wall.
2. Fix heater guard to the wall with multiclips.
3. Make electrical connections on top of the ceiling.

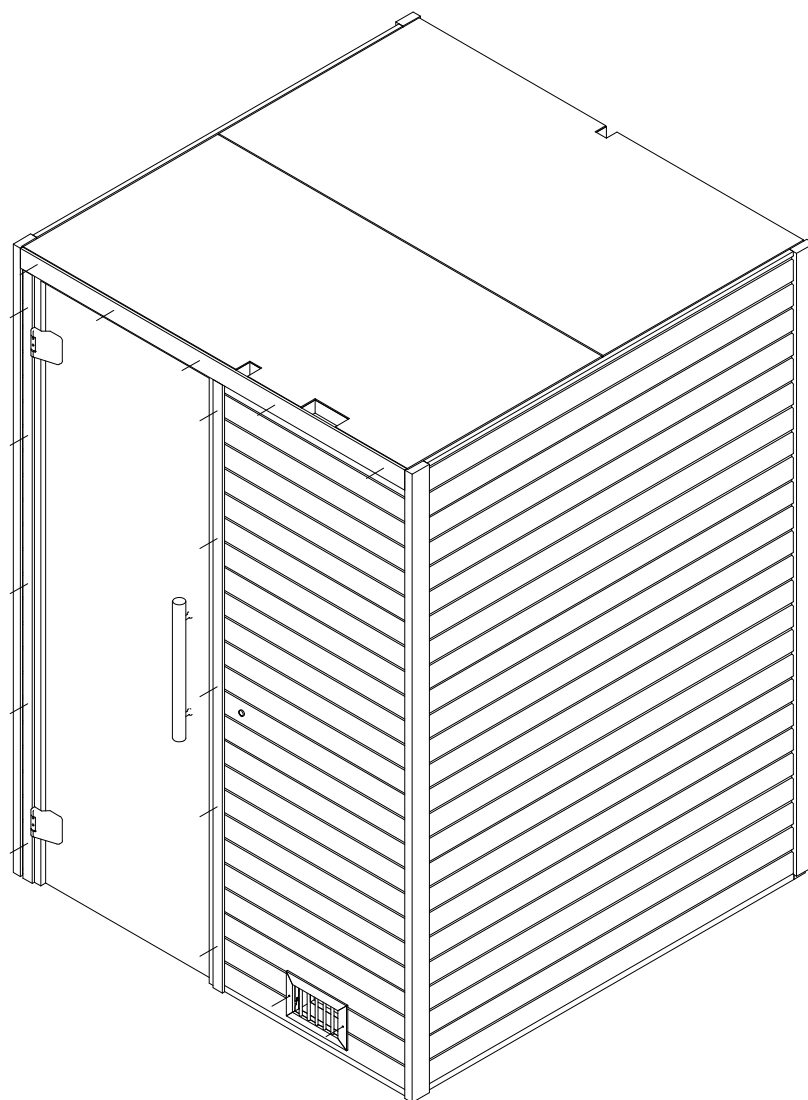
NOTE! Electrical connections must be carried out by a locally certified professional.

Figure 8a.



13. Finishing touches

1. Install mouldings with nails.
2. Fit the stove on marked position.



14. Completed sauna

1. Check the level of all elements.
2. Check the functionality of all moving parts.
3. If needed make adjustments on adjustable components.
4. Before using the sauna read AUROOM terms and conditions and user manual.

NOTE! Upon the first use sauna must be gradually and steadily taken up to normal operating temperature under constant supervision and afterwards thoroughly ventilated due to evaporation of various substances that might be present from production of the sauna and/or its components.

