

MicroTouch Control

Installation Operation Manual
thermasol.com/solutions

THERMASOL[®]

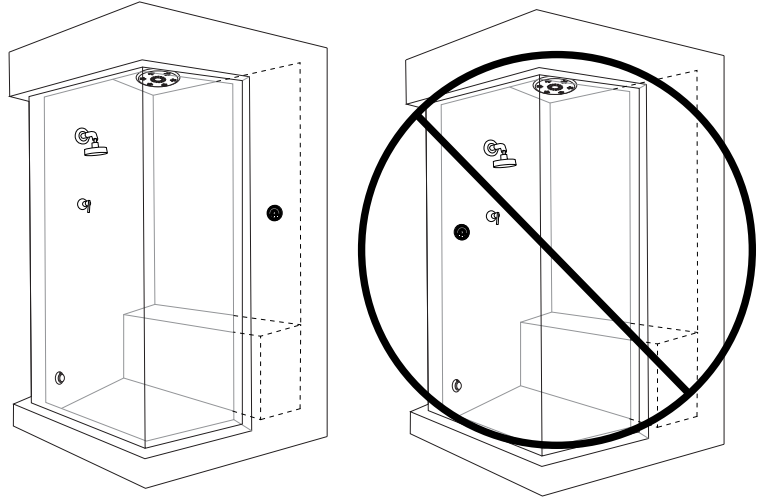
OVER 60 YEARS OF STEAM SHOWER INNOVATION

1 Important Information before You Install

The MicroTouch Control must be installed inside the shower. The MicroTouch control will only function on the current TFX, SSA and PRO Series generators.

The control should be installed 60" from the floor of the shower and away from the steamhead.

The steamhead should be installed 24" from the floor and 6" from any wall. Locate as far as possible from the bathing seating area or location of the users and not below any fixtures.



PLEASE REVIEW WARNINGS BELOW AND LEAVE THIS MANUAL WITH HOMEOWNER

DO NOT USE THIS PRODUCT UNLESS YOU HAVE CONSULTED WITH YOUR DOCTOR AND RECEIVED WRITTEN PERMISSION TO DO SO. USE OF THIS PRODUCT MAY BE HAZARDOUS TO YOUR HEALTH.

PLEASE CONSULT YOUR PHYSICIAN BEFORE USING. IF YOU ARE PREGNANT, ELDERLY, HAVE HIGH BLOOD PRESSURE, DIABETES, SUFFERING FROM HEART DISEASE, ARE INTOXICATED, OR NOT IN GOOD HEALTH, DO NOT USE THIS STEAM BATH.

STEAM IS HOT! DO NOT TOUCH OR GO NEAR THE STEAMHEAD FROM THE TIME THE UNIT IS "ON," UP TO ONE HOUR AFTER IT HAS SHUT OFF. SEVERE BURNS WILL OCCUR IF YOU COME IN CONTACT WITH THE STEAMHEAD OR STEAM EMITTING FROM THE STEAMHEAD.

NEVER ATTEMPT TO FILL AROMA RESERVOIR ON THE STEAMHEAD WHEN UNIT IS IN THE "ON" POSITION. SEVERE BURNS WILL OCCUR.

DO NOT USE THERMASOL AROMATHERAPY OILS, SKIN CARE PRODUCTS OR ANY PRODUCT ASSOCIATED WITH YOUR THERMASOL UNIT WITHOUT CONSULTING WITH YOUR ALLERGIST OR DOCTOR BEFORE USE. THESE PRODUCTS MAY BE HAZARDOUS TO YOUR HEALTH.

DO NOT USE STEAM ROOM WHILE UNDER THE INFLUENCE OF ALCOHOL OR DRUGS, AS THIS CAN BE HAZARDOUS TO YOUR HEALTH.

YOUR SHOWER MAY BE A SLIP-AND-FALL HAZARD. CHECK WITH YOUR CONTRACTOR OR FLOORING MANUFACTURER REGARDING THE SAFE USE OF YOUR FLOORING IN A STEAM APPLICATION. SLIPPING AND FALLING INTO THE STEAMHEAD ITSELF OR INTO THE STREAM OF STEAM EMITTING FROM THE STEAMHEAD WILL CAUSE SERIOUS BURNS OR PHYSICAL INJURY.

IF YOU ARE FEELING UNCOMFORTABLE, DIZZY, FAINT, OR STARTING TO FALL ASLEEP, IMMEDIATELY EXIT THE STEAM ROOM.

DO NOT USE STEAM ROOM IF YOU ARE UNDER THE AGE OF 16 UNLESS SUPERVISED BY AN ADULT.

THERMASOL STEAM BATH GENERATORS ARE NOT DESIGNED TO BE USED FOR SPACE HEATING PURPOSES.

THERMASOL STEAM BATH GENERATORS ARE FOR INDOOR USE ONLY. THEY SHOULD NEVER BE LOCATED OUTSIDE THE HOME.

All products must be installed in accordance with installation instructions provided. Failure to do so may invalidate warranty at manufacturer's discretion.
©2014 ThermaSol.

2 Tools and Materials

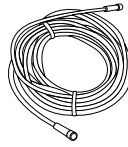
Parts enclosed with the generator



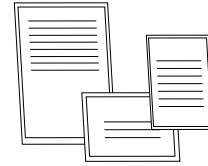
Controller
(Round style shown here)



Silicone



50-foot control data cable (included with Pro or AF Series generator)
Item 03-6152-050



Installation instructions, warranty, static cling warning label

Materials needed:

- MicroTouch control
- CAN bus cable
- Silicone
- Other materials as required

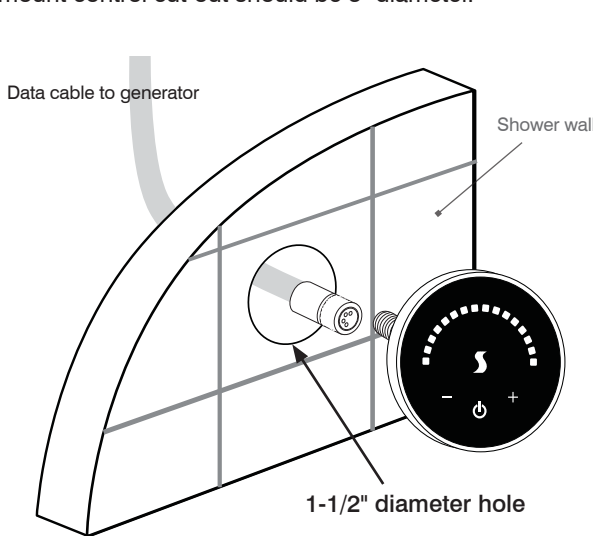
Tools needed:

- Pipe wrench
- Tubing cutter
- Wire cutters or wire strippers
- Adjustable wrench
- Screwdriver (Phillips and regular)
- Solder and flux
- 1-1/16" masonry drill bit

- 1-1/2" hole saw for surface mount rough-in OR 3" hole saw for recessed mount
- Drill motor
- Other tools as required

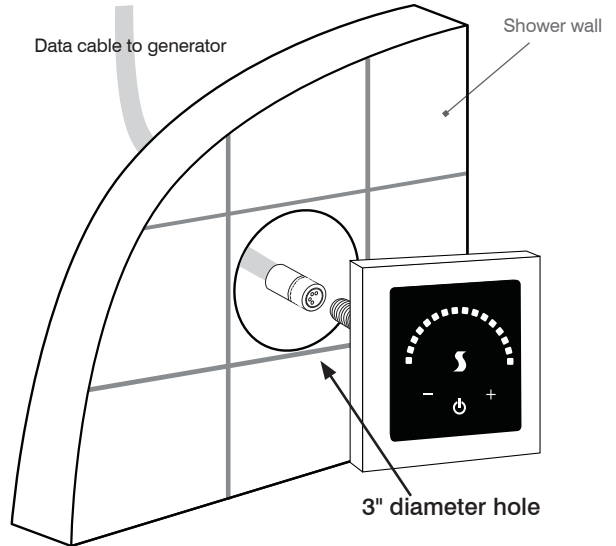
3 Control Installation and Data Cable Connection

Make a 1-1/2" diameter hole in the desired location.
Recessed mount control cut-out should be 3" diameter.



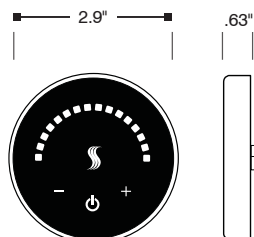
1-1/2" diameter hole for all surface mount controls

MTC-SVRD-XX

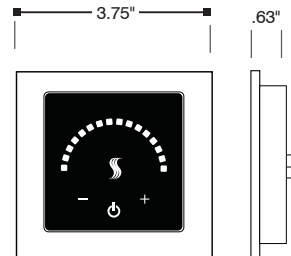


3" diameter hole for recessed control

MTMR-SVSQ-XX



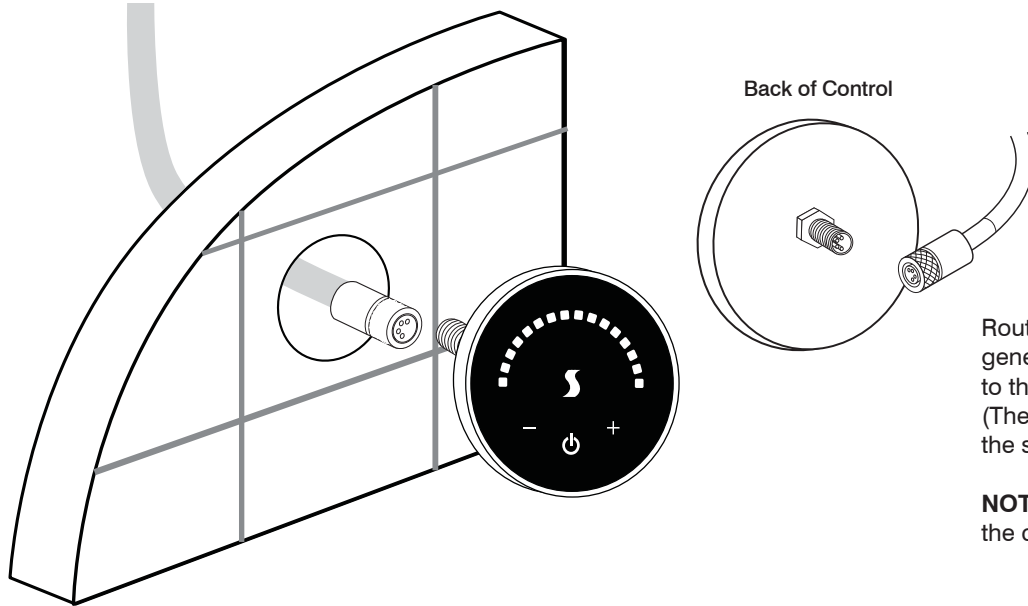
Round



Square

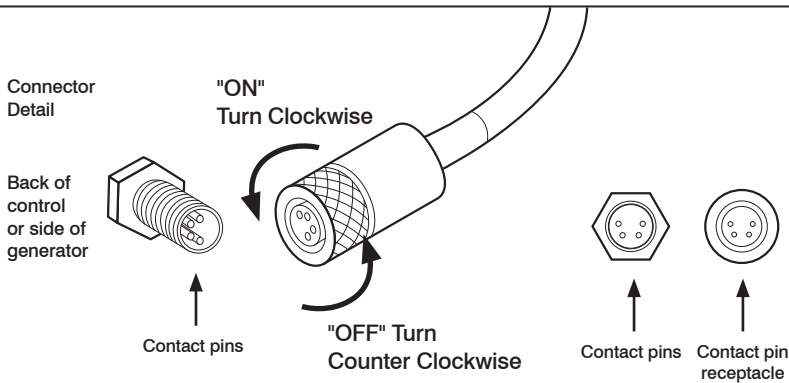
Read warnings on page 2. For illustrative purposes only. Consult with qualified professional for steam room construction details.

4 Control Installation and Data Cable Connection



Route the data cable (included with generator) through the finished wall to the back side of the control. (The other end of the cable runs to the steam generator location.)

NOTE: It is recommended to run the cable through electrical conduit.

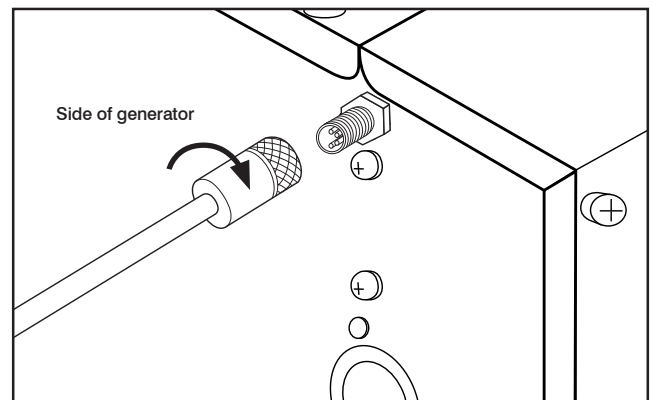
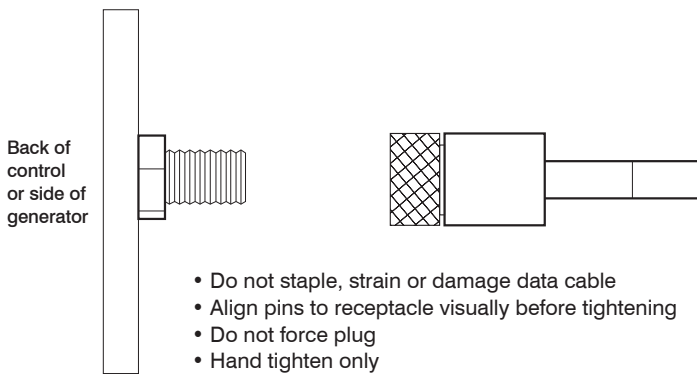


DO NOT pinch, nail, staple, wedge, or bind the data cable.

DO NOT wrap the data cable around steam line or route it in a manner so that the hot steam line could melt the cable.

Any damage to the control cable will result in the control not working properly.

Carefully connect the data cable to the generator and control **BEFORE** turning power on to the generator.



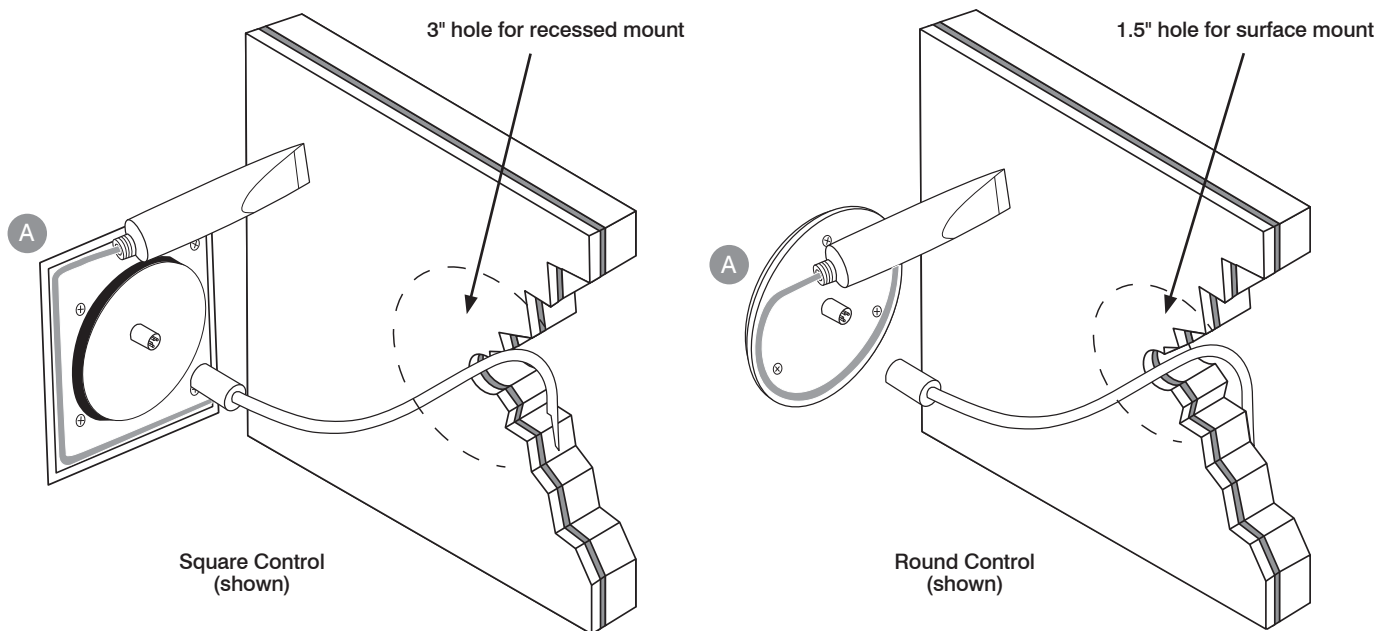
Connect the data cable to steam generator connector. (The other end of the cable runs to the back of the control in the shower location.)

5 Sealing Control

THESE STEPS MUST BE TAKEN FOR CORRECT INSTALLATION of the control.

- A Coat the entire groove on the control back with supplied waterproof silicone to fully seal the control to the wall. Completely seal the control to the wall so moisture does not collect behind it.

Place the control on the wall pressing firmly. (You may need to tape the control into place until the silicone dries.) Be careful not to harm the wall or control with the tape. Let dry for 24 hours before using steam bath.



6 Steamhead Installation

Steamhead Location

DO NOT install the steamhead near the seating area or the user.

DO NOT forget to install the steamhead rough-in fitting!

C Install the steamhead 24" from the floor or bathtub rim and 6" from any corner.

Steamhead is to be mounted as far as possible from typical bathing position (seated or standing) and installed as far from the in-shower controller as possible.

For retrofit to existing finish wall:

Drill a 1-1/8" diameter hole in the shower wall or wall above bathtub rim for the steam outlet rough-in fitting and install to be flush with the finished wall. this housing must be sealed to the wall to not allow vapor or water behind it. (plumbing must be done from backside of finished space)

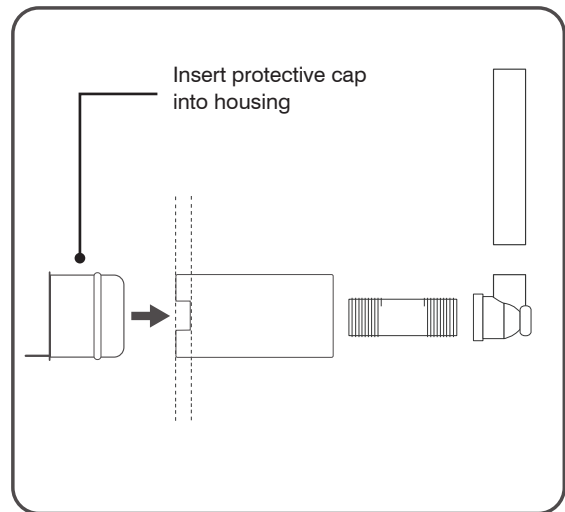
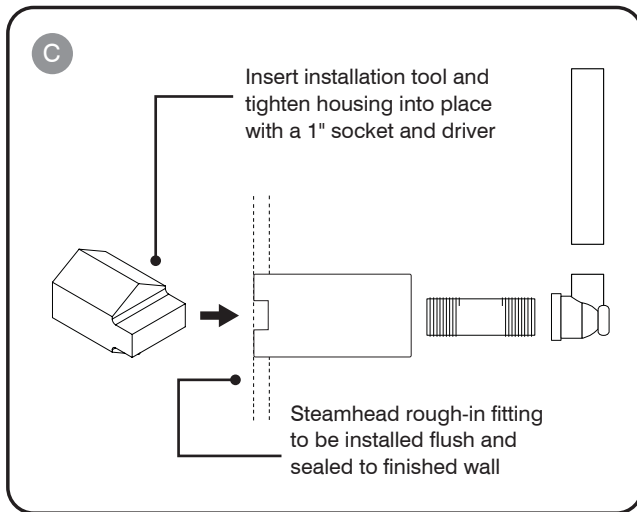
For new framing: Mount and install rough-in fitting to be flush with finished wall.

Connect a 1/2" NPT brass pipe or copper tubing to the steam outlet union (not included) on the generator running the pipe to the steam head location in the wall to connect with the steamhead rough-in fitting. It is very

important that the pipe is firmly secured to the wall, so that when the steamhead is installed it doesn't push the rough-in fitting back into the wall. Install a 1/2" dropear elbow on the end of the 1/2" pipe or tubing for the rough-in fitting.


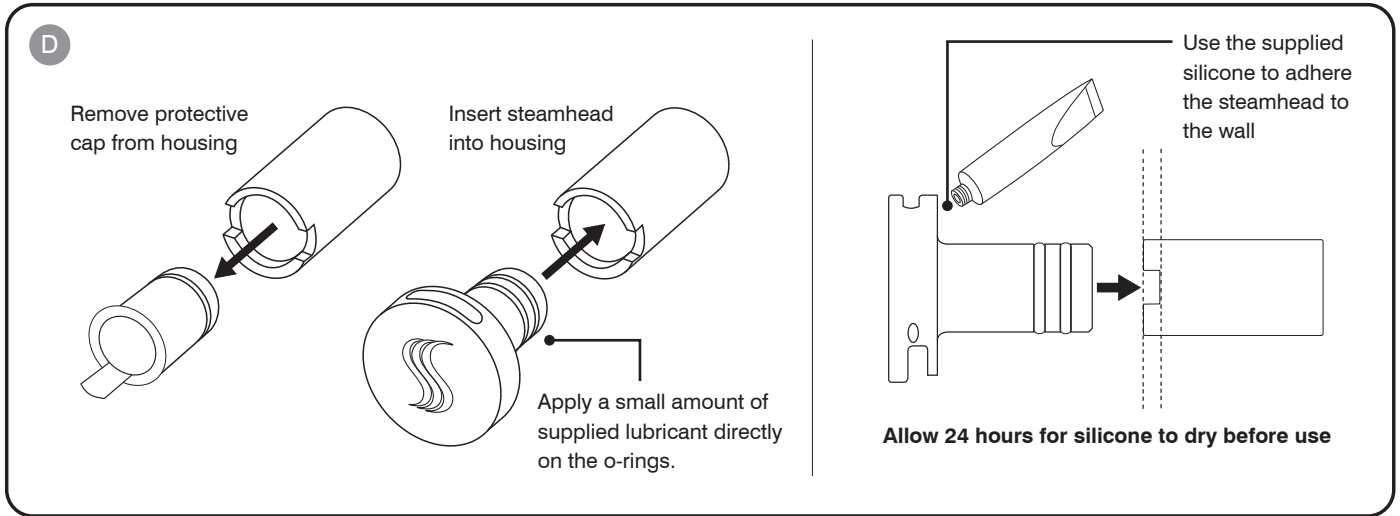
Use the installation tool to tighten the housing in place with a 1" socket and driver. Then insert the protective cap into the housing.


For all the connections, use solder for copper joints and Teflon tape for pipe fittings and do not over tighten fittings. **DO NOT USE PVC CEMENT.**



D Once the shower wall is complete and the housing is sealed to the wall, remove the protective cap and insert the steamhead into housing. Use the supplied silicone to adhere the steamhead to the wall sealing out any water from getting behind the head.

Use supplied o-ring lubricant to assist in steam head installation. A very small amount is all that is need directly on the o-rings.



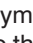

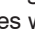
Upon final installation mount steamhead with  facing up to allow aromatherapy well to dispense steam.


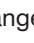
For detailed installation instructions of the steamhead please see Installation section in thermasol.com/customer-support



7 Operation


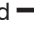
A Taking a Steam Bath
 On your ThermaSol MicroTouch Control, touch and release the power icon  twice to power on. To turn off the steam unit touch and release the power icon  once. Power on is verified when the control face shows lit LEDs and turns dark if power is off.

A steam session lasts 45 minutes and is loaded with previously saved temperature set point.

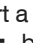
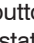
B Setting or Changing the Temperature Set Point
 Set the temperature of your ThermaSol steam shower by using the lit plus  or minus  symbols, which are located immediately to the left and to the right of the  power icon. An arc array of lit squares will appear from left to right.

Increase the temperature by touching  symbol until desired temperature is displayed by the blue LED lights running clockwise to indicate an increase in temperature. Press and hold the  symbol to change the setting faster.



Reduce the temperature by touching  symbol and the array of LEDs will begin to turn off. Press and hold the  symbol to change the setting faster.

Be careful not to touch both the  and  buttons at the same time.

C Power Flush
 ThermaSol's internal diagnostic system will alert you when a Power Flush cleaning is needed (Maintenance mode) by LEDs running counterclockwise.

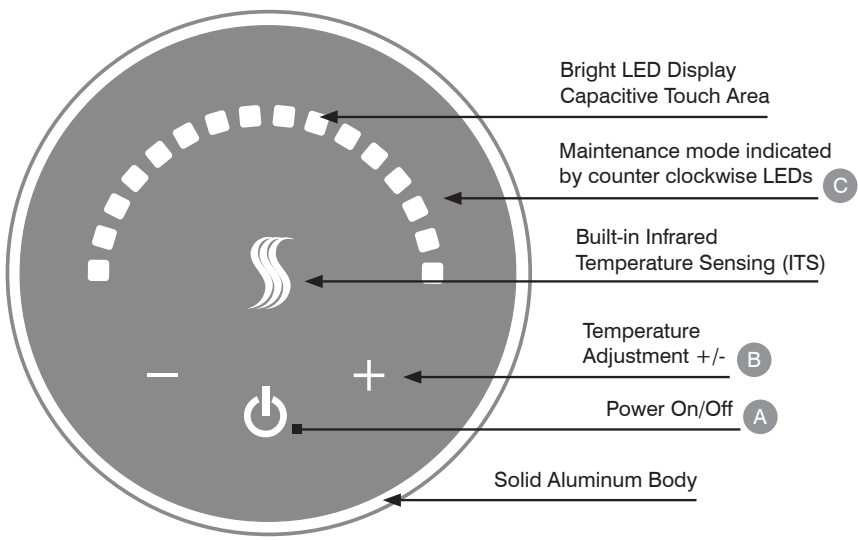
Start a Power Flush cleaning cycle
 To start a power flush manually, press and hold the  and  buttons for 5 seconds while the MicroTouch is in the on state. To indicate that the unit is in power flush mode, the array LEDs will flash in a clockwise direction.

Error Codes
 The simplified error code reporting system includes individual codes for any applicable system fault.

  LEDs will blink to show an error

The number of lit LEDs on the temperature scale shows the type of error.

- 1 light Room Over Temperature Error
- 2 lights Reserved for Factory Use
- 3 lights Malfunction DOWN Button Error
- 4 lights Malfunction POWER Button Error
- 5 lights Malfunction UP Button Error
- 6 lights Low AC Voltage Error
- 7 lights Bad Connection / Low Water Error
- 8 lights Reserved for Factory Use
- 9 lights Reserved for Factory Use
- 10 lights Communication Error





THERMASOL®

Superior Steamshower Systems



KEMAR

