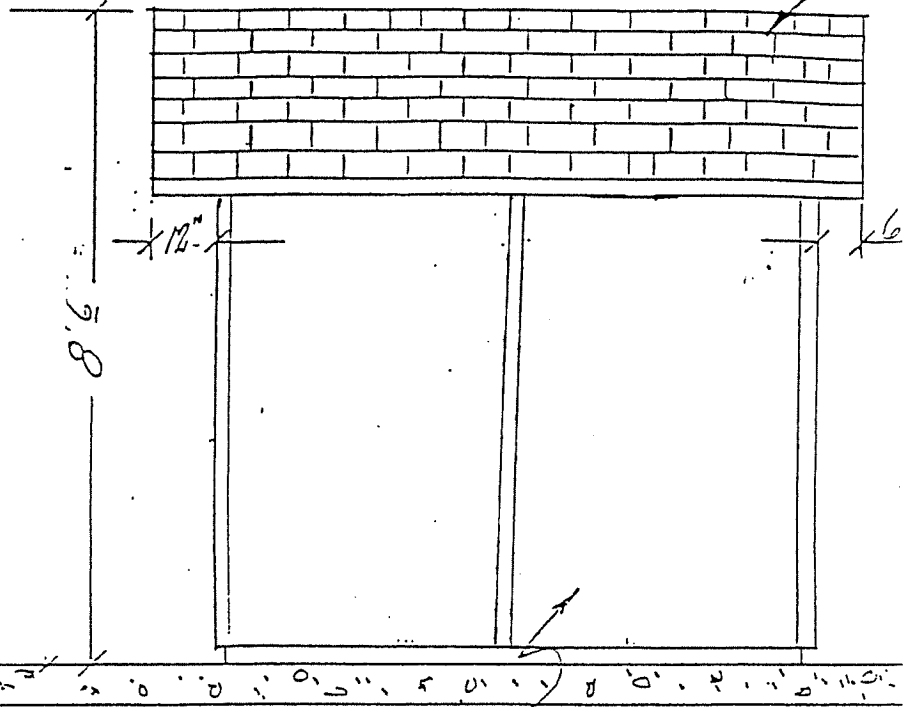
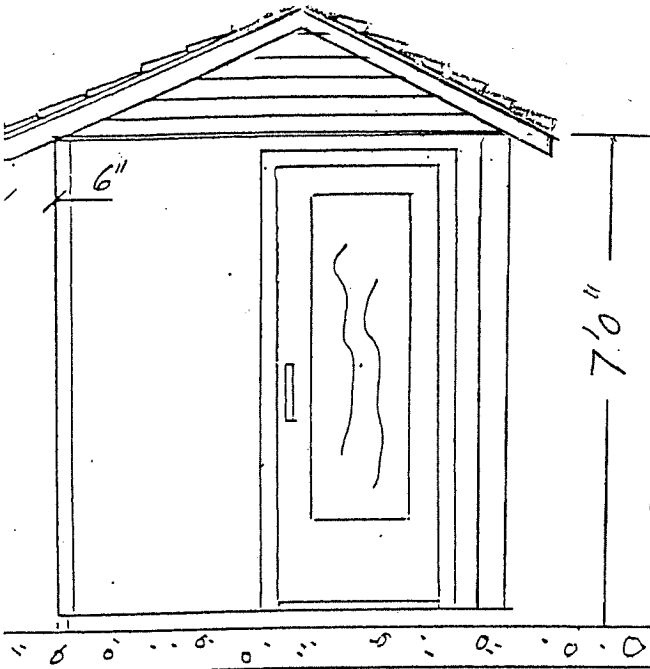




FINLANDIA SAUNA

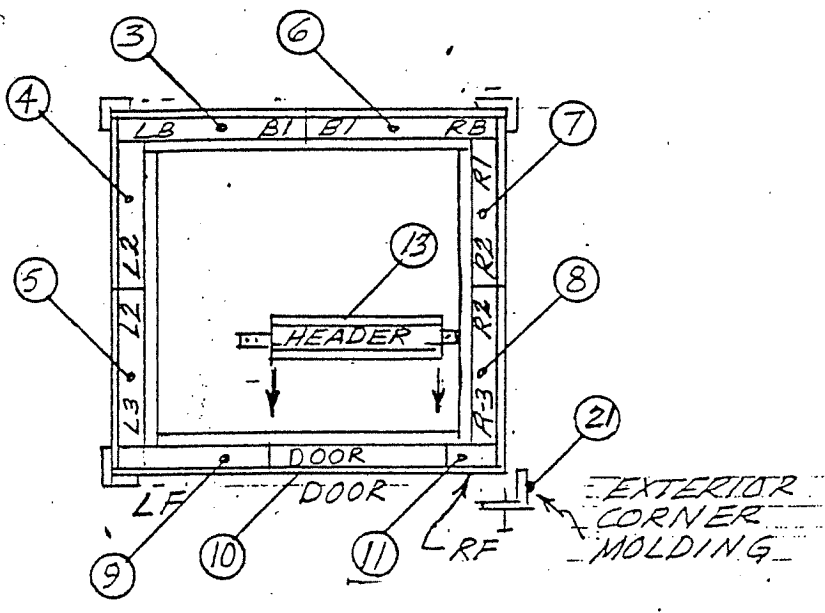
FPF44 ROOF KIT

CEDAR SHINGLE ROOF

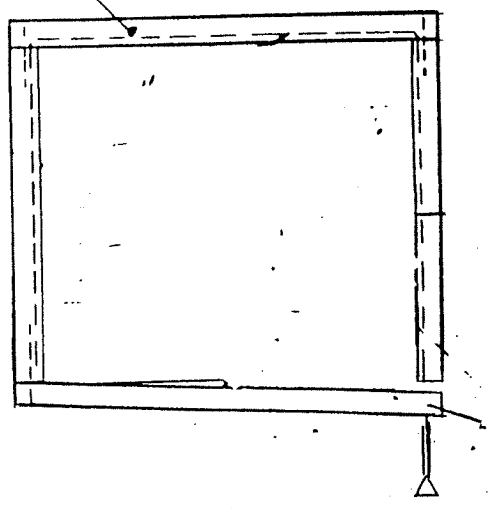


WALL SECTIONS

T-1-11 SIDING EXTERIOR



FLOOR & BASE

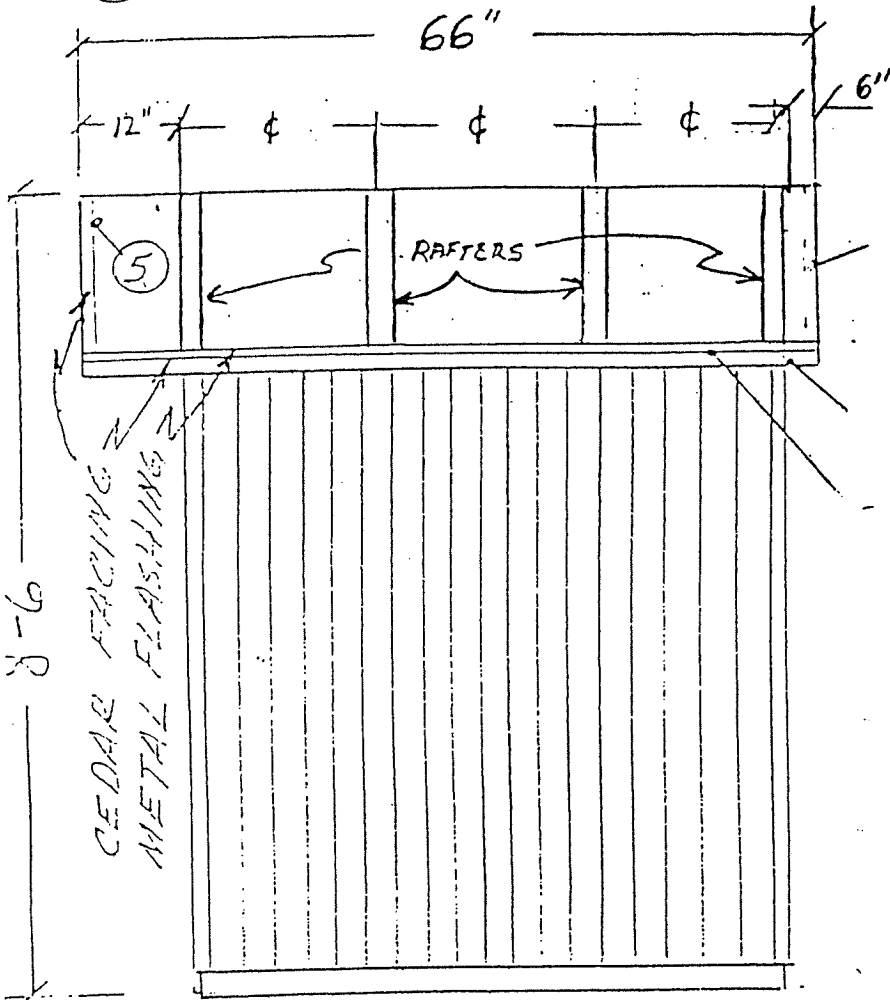




FINLANDIA sauna

INSTALLATION OF FINLANDIA ROOF PACKAGE--FRP 46
IN 8 EASY STEPS ALREADY ASSEMBLED! -44

After your complete FEP--FINLANDIA EXTERIOR PREFAB--has been assembled on your deck or pad:



1. Nail the 3/4" fir plates onto prefa framing so that the plate is even with exterior siding (Use 1 plate for each side--4 are provided)

2. Nail prefab rafters to plates starting with front rafter which has cedar paneling applied. Space next rafters center to center and nail to plates. Nail back rafter (with paneling applied) to plate.

3. Nail 1" x 4" nailers onto rafters using 3" spacing, leaving 11 1/2" overhang on front of Sauna.

4. Nail 1" x 3" cedar facing to rafters on each side of roof, so that overhang is 12" in front of Sauna.

5. Nail 1" x 3" cedar face boards (already assembled) to 1" x 4" nailers on back and front of roof.

6. Nail metal flashing (cap) as shown on sketch, on sides, front, and back of roof.

7. See cedar shingle detail and apply shingles as shown on sketch.

8. Nail ridge cap (already manufactured) to roof, allowing a 5" space between sections. (You may want to apply a layer of felt underneath)

NOTE! 1" x 2" FIR PIECES MUST BE NAILED TO TOP (2 x 2) FRAMING OF FPF46 BEFORE PLACING ROOF UNIT ON TOP OF FPF46. AFTER PLACING ROOF ON SAUNA, INSERT SCREWS PROVIDED THROUGH PREDRILLED HOLES, ON EACH SIDE OF ROOF UNIT!

