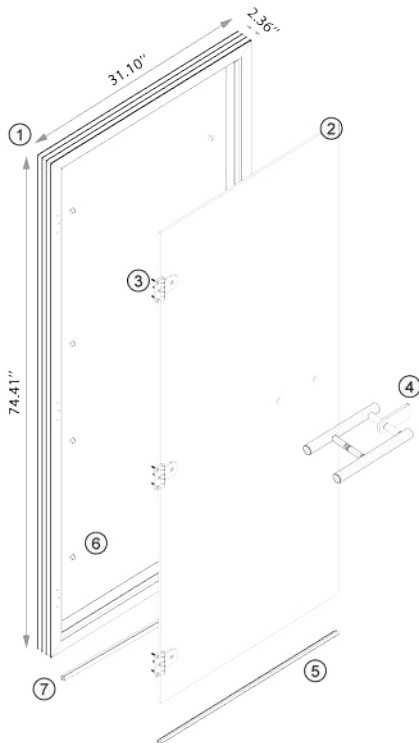


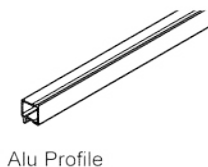
PS-15-S Steam Door Installation Manual

31.10'' x 2.36'' x 74.41''

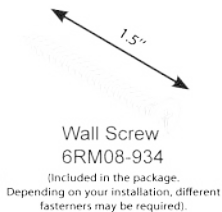
Steam Door Parts List



1. Door Frame
2. Glass Door
3. Glass Door Hinges x 3pcs
4. Door Handle
5. Water Seal
6. Frame Hole Plug x 8pcs
7. Alu Profile

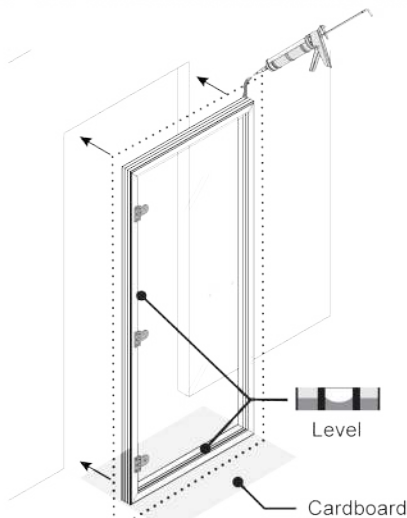


Requirements for Installation

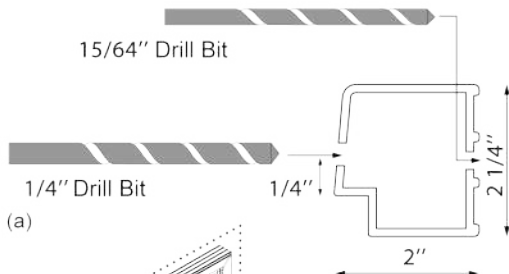


Door Frame Installation

1 Option 1 (Silicone Mounting) Affix the door set to the steam room with silicone.

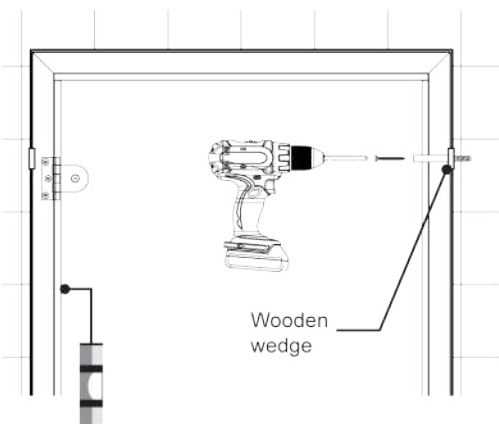


2a Option 2 (Screw Mounting - optional). Pre-drill the screw holes (b) with the correct size and distance from the frame edge as shown in the illustration (a).

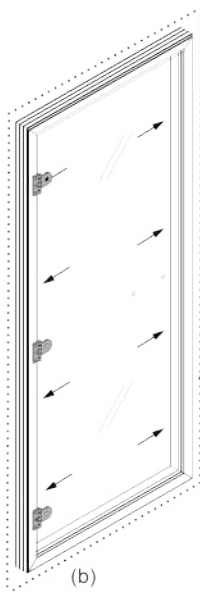


! Use a level to make sure that the frame is leveled at the floor and the sides are at 90 degrees to ensure smooth opening and closing of the door. Place cardboard in front of the door opening as cushion to the corners for the glass in case it accidentally hits the floor.

2b Pre-drill holes to the wall opening while steam door jamb is in place. Screw the steam door jamb using the screw guide. Place the hole plugs after installing.



! Use the wedges to level the door frame sides. Gaps around the frame can be filled with insulation or gap filler and covered with trim.



! Arrows indicate suggested location for holes.

Vinyl Anchor

Wall Screw

(Included in the package)

Screw Hole Plug

(Included in the package)

Screw Guide

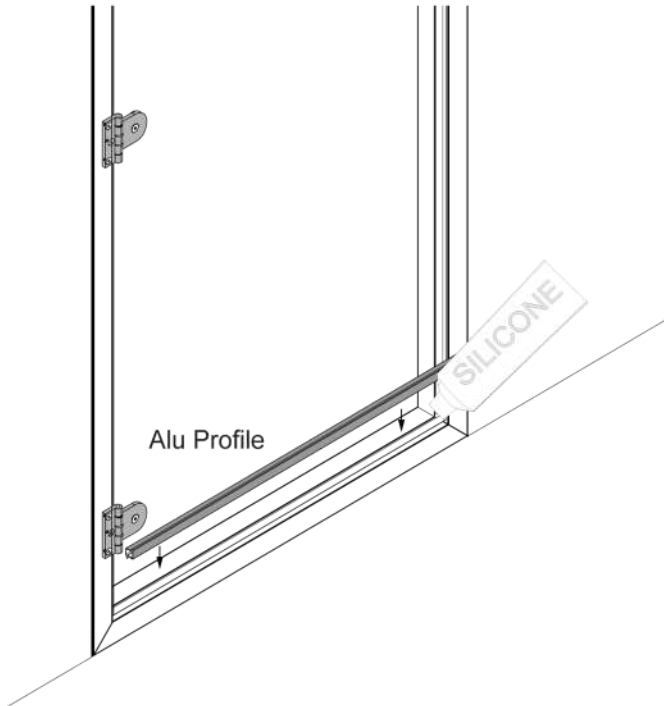
(Included in the package)

Wooden Wedge

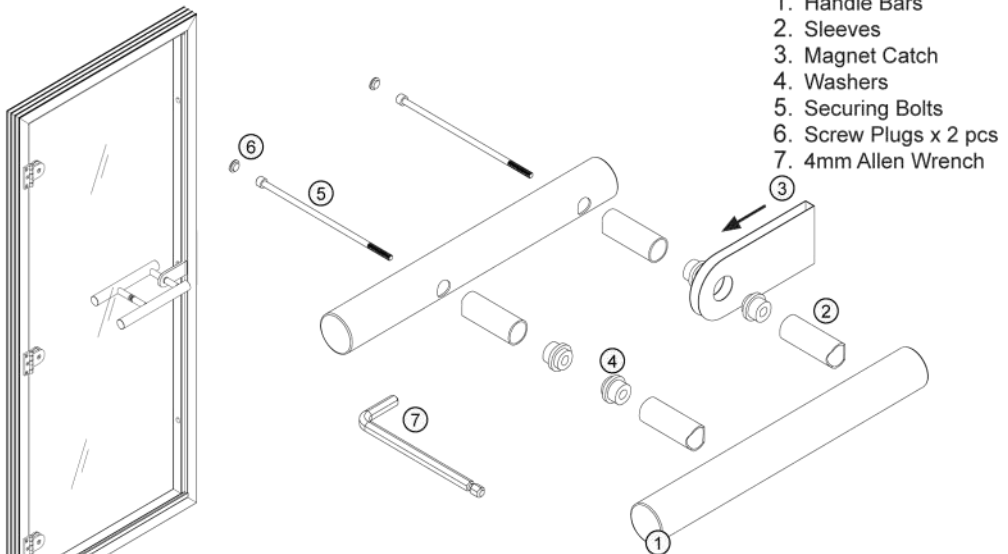
(Included in the package)

3

Add silicone first then Insert the aluminum profile on the lower part of the door jamb.

**4**

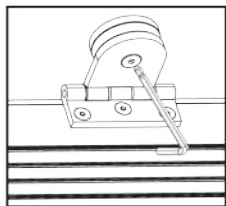
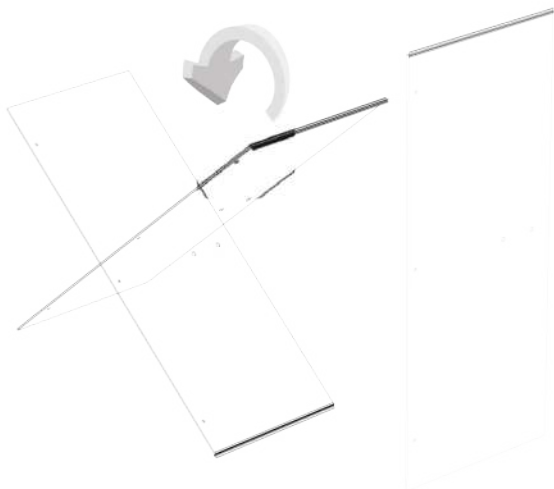
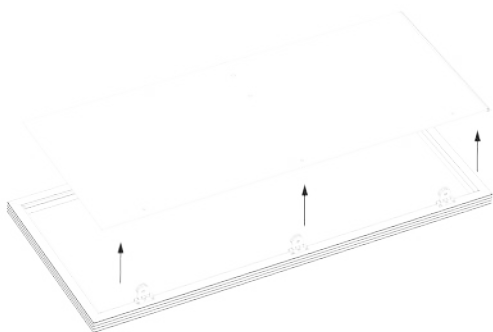
Attach the door handle to the glass and secure with bolts using Allen wrench. Cover the holes with the screw plug after installing.



Reverse Door Opening: Right to Left

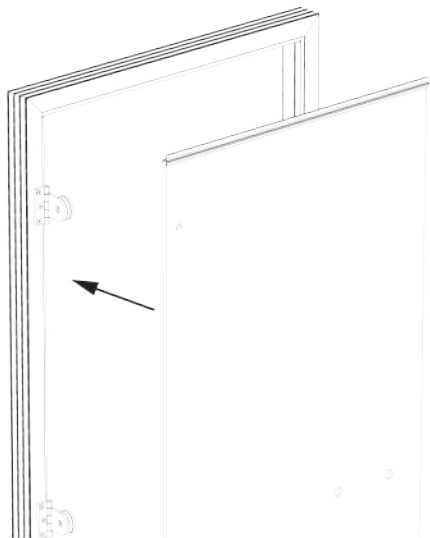
5a Lay down the glass door to the ground. Detach the glass by removing it from the hinges using a 5mm Allen Wrench.

5b Flip the glass.



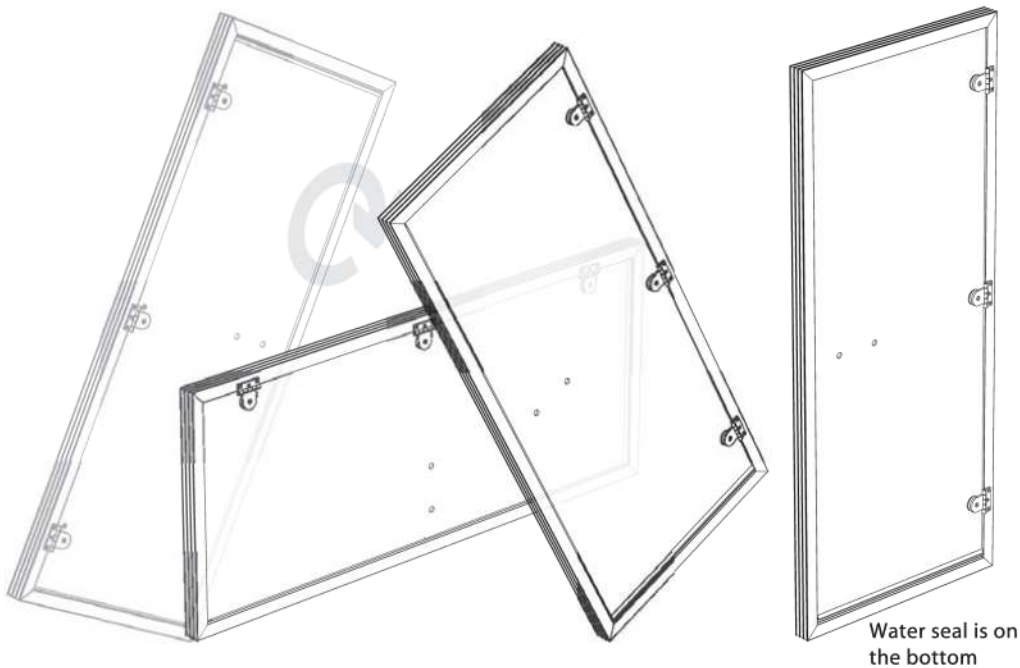
Use 4mm Allen Wrench

5c Re-attach the glass to back to the hinges.

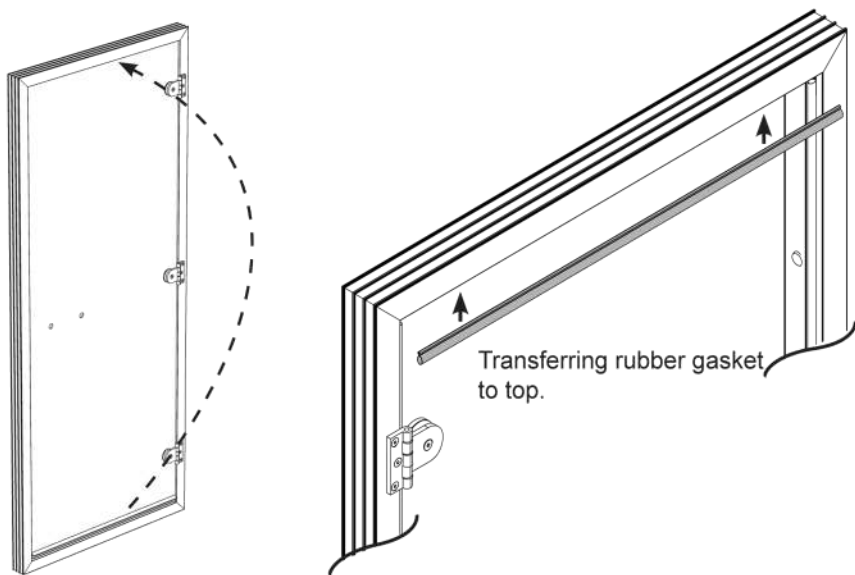


The Water Seal is now located on top.

5d Rotate the door assembly.



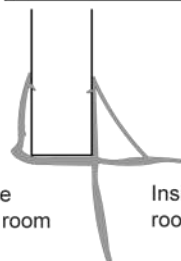
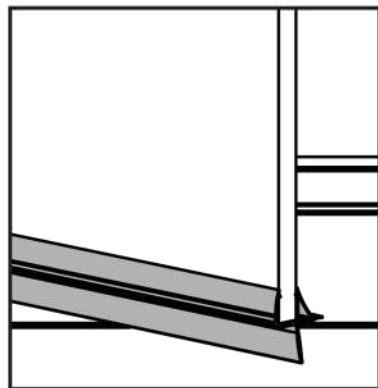
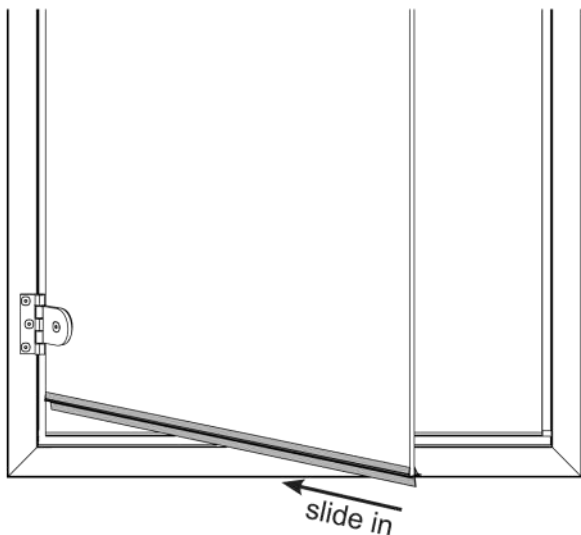
6a Fixing the rubber gasket



Now, there is a rubber gasket below. Peel it off and insert it to the top of the frame.

6b

Remove and reverse the position of the drip edge according to the correct orientation.



Outside
steam room

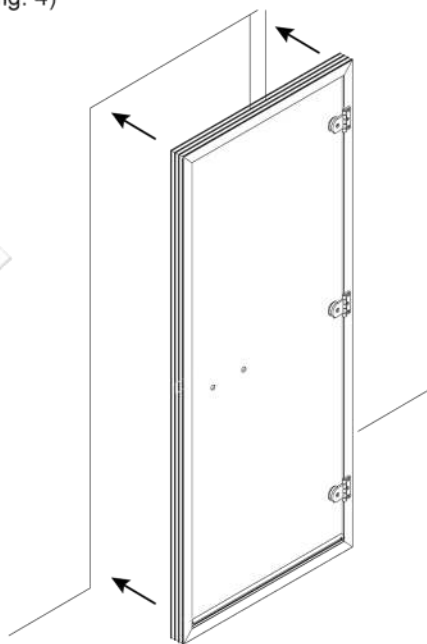
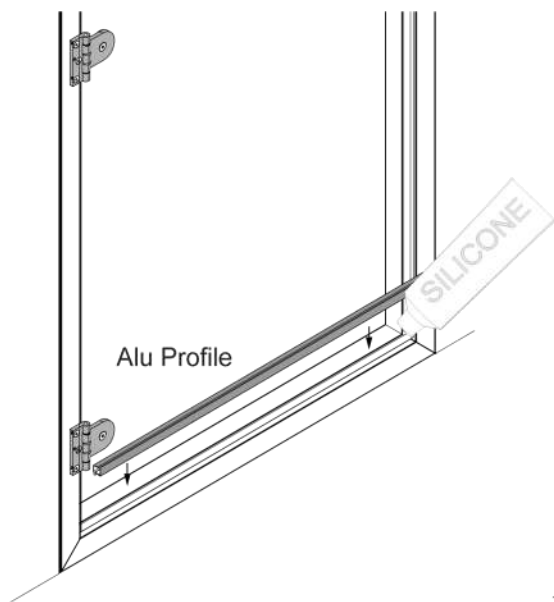
Inside steam
room

6c

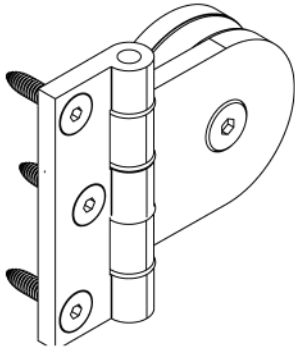
Add silicone first then Insert the aluminum profile on the lower part of the door jamb.

6d

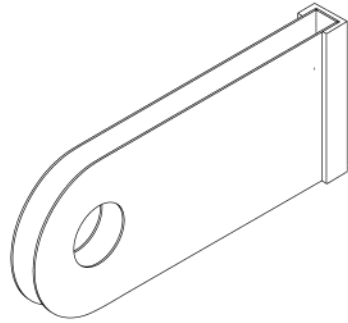
Attach the door to the steam room. (Refer to fig 1.0) Then attach the door handle (refer fig. 4)



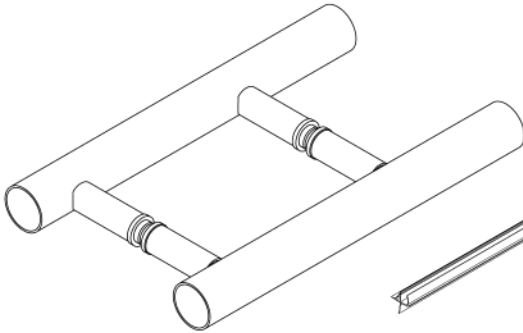
Steam Door Spare Parts



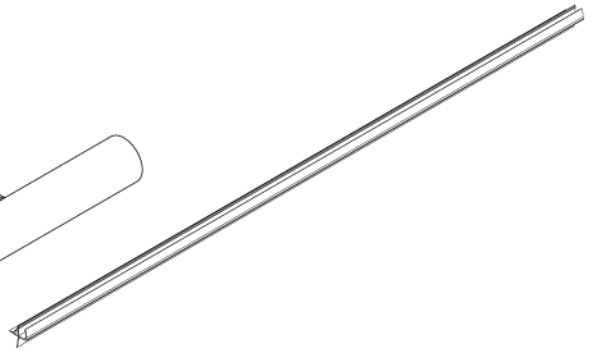
Hinge
PS-001



Magnet Catch
PS-002



Door Handle
PS-003



Water Seal
PS-004

Premium Saunas



Leisure First

Note: Above images are for illustrative reference only and may differ from actual item.